



USER GUIDE

ePMP (802.11ac/ax)

System Release 4.6



Reservation of Rights

Cambium reserves the right to make changes to any products described herein to improve reliability, function, or design, and reserves the right to revise this document and to make changes from time to time in content hereof with no obligation to notify any person of revisions or changes. Cambium recommends reviewing the Cambium Networks website for the latest changes and updates to products. Cambium does not assume any liability arising out of the application or use of any product, software, or circuit described herein; neither does it convey license under its patent rights or the rights of others. It is possible that this publication may contain references to, or information about Cambium products (machines and programs), programming, or services that are not announced in your country. Such references or information must not be construed to mean that Cambium intends to announce such Cambium products, programming, or services in your country.

Copyrights

This document, Cambium products, and 3rd Party software products described in this document may include or describe copyrighted Cambium and other 3rd Party supplied computer programs stored in semiconductor memories or other media. Laws in the United States and other countries preserve for Cambium, its licensors, and other 3rd Party supplied software certain exclusive rights for copyrighted material, including the exclusive right to copy, reproduce in any form, distribute and make derivative works of the copyrighted material. Accordingly, any copyrighted material of Cambium, its licensors, or the 3rd Party software supplied material contained in the Cambium products described in this document may not be copied, reproduced, reverse engineered, distributed, merged or modified in any manner without the express written permission of Cambium. Furthermore, the purchase of Cambium products shall not be deemed to grant either directly or by implication, estoppel, or otherwise, any license under the copyrights, patents or patent applications of Cambium or other 3rd Party supplied software, except for the normal non-exclusive, royalty free license to use that arises by operation of law in the sale of a product.

Restrictions

Software and documentation are copyrighted materials. Making unauthorized copies is prohibited by law. No part of the software or documentation may be reproduced, transmitted, transcribed, stored in a retrieval system, or translated into any language or computer language, in any form or by any means, without prior written permission of Cambium.

License Agreements

The software described in this document is the property of Cambium and its licensors. It is furnished by express license agreement only and may be used only in accordance with the terms of such an agreement.

High Risk Materials

Cambium and its supplier(s) specifically disclaim any express or implied warranty of fitness for any high-risk activities or uses of its products including, but not limited to, the operation of nuclear facilities, aircraft navigation or aircraft communication systems, air traffic control, life support, or weapons systems (“High Risk Use”).

This product is not restricted in the EU. Any High Risk is unauthorized, is made at your own risk and you shall be responsible for any and all losses, damage or claims arising out of any High-Risk Use.

Contents

- Contents** **3**
- About This User Guide** **12**
 - Problems and warranty 12
 - Reporting problems 12
 - Repair and service 12
 - Warranty 12
 - Security advice 13
 - Precautionary statements 13
 - Warning 13
 - Attention 13
 - Note 14
 - Caring for the environment 14
 - In EU countries 14
 - In non-EU countries 14
- Chapter 1: Product Description** **15**
 - Overview of ePMP 15
 - Purpose – ePMP Portfolio 15
 - ePMP 3000 15
 - ePMP 3000L 17
 - ePMP MP3000 MicroPoP 18
 - Force 300-25 18
 - Force 300-19 19
 - Force 300-19R 20
 - Force 300-16 21
 - Force 300-13 22
 - Force 300-13L 23
 - Force 300 CSM 24
 - Force 300 CSML 25

Force 425	26
Force 400C	27
Typical installation equipment	27
Wireless operation	28
MU-MIMO	28
MIMO	28
Smart beamforming (ePMP 2000/3000 series)	28
Smart antenna key advantages	29
Time-division duplexing	29
OFDM and channel bandwidth	29
Adaptive modulation	30
Radar avoidance	30
Encryption	30
Country codes	30
Further reading on the wireless operation	31
System management	31
Management agent	31
Webserver	32
SNMP	32
Network Time Protocol (NTP)	32
Software upgrade	33
Further reading on system management	33
Chapter 2: System Hardware	34
Site Planning	34
Site installation	35
Grounding and lightning protection	35
Lightning protection zones	37
ePMP 3000 Access Point	37
ePMP 3000 Access Point description	38
ePMP 3000 Access Point part numbers	38

ePMP 3000 Access Point mounting bracket	39
ePMP 3000 Access Point interfaces	40
ePMP 3000 Access Point specifications	40
ePMP 3000 Access Point heater	41
ePMP 3000 Access Point wind loading	41
ePMP 3000 Access Point software packages	42
ePMP 3000L Access Point	42
ePMP 3000L Access Point description	43
ePMP 3000L Access Point part numbers	43
ePMP 3000L Access Point mounting bracket	44
ePMP 3000L Access Point interfaces	45
ePMP 3000L Access Point specifications	45
ePMP 3000L Access Point heater	46
ePMP 3000L Access Point wind loading	46
ePMP 3000L Access Point software packages	47
Force 300-25	47
Force 300-25 integrated description	48
Force 300-25 part numbers	48
Force 300-25 mounting bracket	49
Force 300-25 interfaces	50
Force 300-25 specifications	50
Force 300-25 heater	51
Force 300-25 wind loading	51
Force 300-25 software packages	52
Force 300-25L	52
Force 300-25L integrated description	52
Force 300-25L part numbers	53
Force 300-25L interfaces	55
Force 300-25L specifications	55
Force 300-25L heater	56

Force 300-25L wind loading	56
Force 300-25L software packages	57
Force 300-19	57
Force 300-19 integrated description	57
Force 300-19 part numbers	58
Force 300-19 mounting bracket	59
Force 300-19 interfaces	59
Force 300-19 specifications	60
Force 300-19 heater	60
Force 300-19 wind loading	61
Force 300-19 software packages	62
Force 300-19R	62
Force 300-19R integrated description	62
Force 300-19R part numbers	62
Force 300-19R mounting bracket	64
Force 300-19R interfaces	64
Force 300-19R specifications	65
Force 300-19R heater	65
Force 300-19R wind loading	66
Force 300-19R software packages	66
Force 300-16	67
Force 300-16 integrated description	67
Force 300-16 part numbers	67
Force 300-16 interfaces	68
Force 300-16 specifications	69
Force 300-16 heater	69
Force 300-16 wind loading	70
Force 300-16 software packages	71
Force 300-13	71
Force 300-13 integrated description	71

Force 300-13 part numbers	72
Force 300-13 interfaces	73
Force 300-13 specifications	73
Force 300-13 heater	74
Force 300-13 wind loading	74
Force 300-13 software packages	75
Force 300-13L	75
Force 300-13L integrated description	75
Force 300-13L part numbers	76
Force 300-13L interfaces	77
Force 300-13L specifications	78
Force 300-13L wind loading	78
Force 300-13L LEDs	79
Force 300-13L software packages	79
Force 300 CSM	79
Force 300 CSM Connectorized Subscriber Module description	80
Force 300 CSM part numbers	80
Force 300 CSM interfaces	81
Force 300 CSM specifications	82
Force 300 CSM heater	82
Force 300 CSM wind loading	83
Force 300 CSM software packages	84
Force 300 CSML	84
Force 300 CSML description	84
Force 300 CSML part numbers	84
Force 300 CSML interfaces	85
Force 300 CSML mounting bracket	86
Force 300 CSML specifications	87
Force 300 CSML wind loading	87
Force 300 CSML LEDs	88

Force 300 CSML software packages	88
ePMP MP3000 MicroPoP	88
ePMP MP 3000 integrated description	89
ePMP MP 3000 part numbers	89
ePMP MP 3000 interfaces	90
ePMP MP 3000 specifications	91
ePMP MP 3000 heater	91
ePMP MP 3000 wind loading	92
ePMP MP 3000 software packages	93
Force 425	93
Force 425 integrated description	93
Force 425 part numbers	93
Force 425 mounting bracket with Range Extender	95
Force 425 interfaces	95
Force 425 specifications	95
Force 425 heater	96
Force 425 wind loading	96
Force 425 software packages	97
Force 400C	97
Force 400C integrated description	97
Force 400C part numbers	98
Force 400C interfaces	98
Force 400C specifications	99
Force 400C heater	99
Force 400C wind loading	100
Force 400C software packages	100
Power supply	101
Power supply description	101
Power supply part numbers	101
Power supply interfaces	101

Power supply specifications	103
Power supply location considerations	103
Ethernet cabling	103
Ethernet standards and cable lengths	104
Outdoor Cat5e cable	104
Surge suppression unit	105
Gigabit Ethernet surge suppressor	105
cnPulse sync generator	106
Chapter 3: System Planning	107
Radio spectrum planning	107
General wireless specifications	107
Regulatory limits	108
Conforming to the limits	109
Available spectrum	109
Channel bandwidth	109
Link planning	109
Range and obstacles	109
Path loss	109
Adaptive modulation	110
Data network planning	110
Ethernet interfaces	110
Management VLAN	111
Quality of service for bridged Ethernet traffic	111
Chapter 4: Using the Device Management Interface	112
Preparing for configuration	112
Safety precautions	112
Regulatory compliance	112
Connecting to the unit	112
Configuring the management PC	113
Connecting to the PC and powering up	113

Using the web interface	114
Logging into the web interface	114
Using the installation wizard – Access Point	115
Installation wizard step 1 – Main system parameters	115
Installation wizard step 2 – Radio parameters	116
Installation wizard step 3 – Network parameters	117
Installation wizard step 4 – Security parameters	118
Using the installation wizard – Subscriber Module	119
Installation wizard step 1 – Main system parameters	119
Installation wizard step 2 – Radio parameters	120
Installation wizard step 3 – Network parameters	121
Installation wizard step 4 – Security parameters	122
Using the menu options	123
Status page	124
Installation page	127
Configuration menu	127
Monitor menu	165
Tools menu	182
Chapter 5: Operation and Troubleshooting	195
General Planning for troubleshooting	195
Upgrading device software	196
Testing hardware	196
Checking the power supply LED	196
Power LED is off	196
Ethernet LED is off	197
Troubleshooting the radio link	198
The module has lost or does not establish radio connectivity	198
Module exhibiting frequent boots or disconnects	199
Link is unreliable or does not achieve the data rates required	199
Resetting ePMP to factory defaults by power cycling	199

Glossary	201
Cambium Networks	203

About This User Guide

This guide describes the planning, installation, configuration, and operation of the Cambium ePMP Series of point-to-multipoint and point-to-point wireless Ethernet systems. It is intended for use by the system designer, system installer, and system administrator.

For radio network design, see:

- [Product Description](#)
- [System Hardware](#)
- [Site Planning](#)
- [Legal and Reference Information](#)

For system configuration, monitoring, and fault finding, see:

- [Using the Device Management Interface](#)

Problems and warranty

Reporting problems

At Cambium Networks, we know what it takes to keep a growing network running optimally. We provide multiple layers of support including training, online documentation, technical support, information-sharing with an experienced community of users, software downloads, warranty services, and repair.

Through the Cambium Support Center portal at <https://support.cambiumnetworks.com/> you can:

- Submit support requests
- Submit RMA request
- View support global contact numbers

Additional information including field service bulletins, license key information, warranty details, security advisories, Cambium Care program descriptions, regional codes for PTP solutions, and compliance requirements can be viewed at <https://www.cambiumnetworks.com/support/>.

Repair and service

If unit failure is suspected, obtain details of the Return Material Authorization (RMA) process from the support website.

Warranty

For products shipped after October 1st, 2018 Cambium's standard hardware warranty is for three (3) years from the date of shipment from Cambium or a Cambium distributor. Cambium warrants that hardware will conform to the relevant published specifications and will be free from material defects in material and workmanship under normal use and service. Cambium shall within this time, at its own option, either repair or replace the defective product within thirty (30) days of receipt of the defective product. Repaired or replaced products will be subject to the original warranty period but not less than thirty (30) days.

To register ePMP products or activate warranties, visit the support website.

For warranty assistance, contact the reseller or distributor.



Attention

Do not open the radio housing for repair or diagnostics; there are no serviceable parts within the housing.

Portions of Cambium equipment may be damaged from exposure to electrostatic discharge. Use precautions to prevent damage.

Security advice

Cambium Networks' systems and equipment provide security parameters that can be configured by the operator based on their particular operating environment. Cambium recommends setting and using these parameters following industry-recognized security practices. Security aspects to be considered are protecting the confidentiality, integrity, and availability of information and assets. Assets include the ability to communicate, information about the nature of the communications, and information about the parties involved.

In certain instances Cambium makes specific recommendations regarding security practices, however, the implementation of these recommendations and final responsibility for the security of the system lies with the operator of the system.

Cambium Networks ePMP equipment is shipped with default web management interface login credentials. It is highly recommended that these usernames and passwords are modified before system installation.

Precautionary statements

The following describes how precautionary statements are used in this document.

Warning

Precautionary statements with the Warning tag precede instructions that contain potentially hazardous situations. Warnings are used to alert the reader to possible hazards that could cause loss of life or physical injury. A warning has the following format:



Warning

Text and consequence for not following the instructions in the warning.

Attention

Precautionary statements with the Attention tag precede instructions that are used when there is a possibility of damage to systems, software, or individual items of equipment within a system. However, this damage presents no danger to personnel. An attention statement has the following format:



Attention

Text and consequence for not following the instructions.

Note

Precautionary statements with the Note tag indicate the possibility of an undesirable situation or provide additional information to help the reader understand a topic or concept. A note has the following format:



Note

Text.

Caring for the environment

The following information describes national or regional requirements for the disposal of Cambium Networks supplied equipment and for the approved disposal of surplus packaging.

In EU countries



The following information is provided to enable regulatory compliance with the European Union (EU) directives identified and any amendments made to these directives when using Cambium equipment in EU countries.

Disposal of Cambium equipment

European Union (EU) Directive 2002/96/EC Waste Electrical and Electronic Equipment (WEEE).

Do not dispose of Cambium equipment in landfill sites. For disposal instructions, see <https://support.cambiumnetworks.com>

Disposal of surplus packaging

Do not dispose of surplus packaging in landfill sites. In the EU, it is the individual recipient's responsibility to ensure that packaging materials are collected and recycled according to the requirements of EU environmental law.

In non-EU countries

In non-EU countries, dispose of Cambium equipment and all surplus packaging in accordance with national and regional regulations.

Chapter 1: Product Description

This chapter provides a high-level description of the ePMP product. It describes the function of the product, the main product variants, and the typical installation. It also describes the main hardware components.

The following topics are described in this chapter:

- The key features, typical uses, product variants, and components of the ePMP are explained in the [Overview of ePMP](#).
- How the ePMP wireless link is operated, including modulation modes, power control, and security is described under [Wireless operation](#).
- The ePMP management system, including the web interface, installation, configuration, alerts, and upgrades is described in [System management](#).

Overview of ePMP

This section introduces the key features, typical uses, product variants, and components of the ePMP portfolio as a whole (802.11n and 802.11ac products).

Purpose – ePMP Portfolio

Cambium ePMP Series products are designed for Ethernet bridging over point-to-multipoint and point-to-point microwave links in the unlicensed 2.4 GHz, 2.5 GHz (Brazil only), and 5 GHz bands. Users must ensure that the ePMP Series complies with local operating regulations.

ePMP devices support point-to-point microwave links in the unlicensed 5 GHz band.

The ePMP Series acts as a transparent bridge between two segments of the operator and customers' networks. In this sense, it can be treated as a virtual wired connection between the Access Point and the Subscriber Module. The ePMP Series forwards 802.3 Ethernet packets destined for the other part of the network and filters packets it does not need to forward and can deliver unicast data to unknown destinations as broadcast, similar to a Switch functionality.

ePMP 3000

The ePMP 3000 is a rugged high-capacity outdoor point-to-multipoint or point-to-point link wireless device in the unlicensed 5 GHz frequency bands with a maximum UDP sector throughput of up to 1+ Gbps (when operating with 80 MHz channel bandwidth).

- It is capable of operating in Line-of-Sight (LoS) and near-LoS conditions and supports Quality of Service (QoS) for traffic prioritization.
- It is available as a connectorized unit for use with a separate 4x4 MU-MIMO Sector/Dual-Horn/Omni antenna and optional Smart Antenna (for uplink beam steering).
- ePMP 3000 supports maximum information rate (MIR) further allowing the operator to manage traffic profiles for end customers.
- ePMP 3000 provides Dynamic Frequency Selection (DFS) for North America (FCC) and supports additional DFS tuning balances detection of actual DFS signals vs false detection.

- ePMP 3000 supports backward and forward compatibility with ePMP 802.11n devices to provide an immediate sector upgrade to 802.11ac Wave 2 performance, and also to support future upgrades of networks operating ePMP 1000/2000 APs.
- ePMP 3000 is based on highly integrated wireless semiconductor components designed to meet the IEEE 802.11ac standard, however, the ePMP 3000 device has a proprietary air interface for the main point-to-multipoint or point-to-point link.
- ePMP 3000 is powered by standard power-over-Ethernet to a 1000BASE-T port.
- Management of the unit is conducted via the same interface as the bridged traffic (in-band Management).

An overview of ePMP 3000 is shown in [Figure 1](#).



Figure 1: *ePMP 3000*

A summary of the main ePMP 3000 characteristics is listed under [Table 1](#).

Table 1 Main characteristics of the ePMP 3000 Series

Characteristic	Value
Topology	PMP or PTP
Wireless link condition	LoS, near LoS
Scheduler	TDD
Connectivity	Ethernet
Operating frequencies	Unlicensed bands, 5 GHz

Characteristic	Value
Channel Bandwidth	10 MHz*, 20 MHz, 40 MHz, 80 MHz
Data rate	Up to 1+ Gbps Sector Throughput

* The 10 MHz Channel Bandwidth is only supported with Force 300-19R SM.

ePMP 3000L

The ePMP 3000L is the third-generation Access Point (AP) that carries on the interference tolerance mechanisms with an emphasis on high-performance in low-density point to multipoint sectors. The ePMP 3000L is a 2x 2 MIMO connectorized AP that can support a wide variety of deployments including 90/120-degree sectors, narrow-sector horns, or even 360-degree Omni coverage.

Also, the ePMP 3000L continues interference mitigation techniques with the support of TDD synchronization using GPS and the robust software from the ePMP product line. The ePMP 3000L system consists of the ePMP 3000L AP, an optional 2x2 sector antenna, and a wide variety of subscriber modules with varying form factors and link budgets.

ePMP 3000 supports backward and forward compatibility with ePMP 802.11n devices to provide an immediate sector upgrade to 802.11ac Wave 2 performance, and also to support future upgrades of networks operating ePMP 1000/2000 APs.

The ePMP 3000L system boasts a high packet per second performance, peak throughput of 600 Mbps, and supports subscriber modules with up to 600 Mbps of peak throughput.

An over view of ePMP 3000L is shown in [Figure 2](#)



Figure 2: ePMP 3000L

A summary of the main ePMP 3000L characteristics are listed under [Table 2](#).

Table 2 Main characteristics of the ePMP 3000L Series

Characteristic	Value
Topology	PMP or PTP
Wireless link condition	LoS, near LoS
Scheduler	TDD
Connectivity	Ethernet
Operating frequencies	Unlicensed bands, 5 GHz
Channel Bandwidth	20 MHz, 40 MHz, 80 MHz
Data rate	Up to 1+ Gbps Sector Throughput

ePMP MP3000 MicroPoP

The ePMP MP 3000 MicroPoP is an integrated AP designed to serve short-range, low-density applications. It uses 802.11ac 2x2 architecture and can interoperate with a Force 300 subscriber module.

An overview of ePMP MP 3000 is shown in [Figure 3](#).



Figure 3: ePMP MP 3000 Integrated

Force 300-25

The Force 300-25 is a rugged high-capacity outdoor point-to-multipoint or point-to-point link wireless device in the unlicensed 5 GHz frequency bands with a maximum UDP throughput of 500+ Mbps (when operating with 80 MHz channel bandwidth). It is capable of operating in line-of-sight (LoS) and near-LoS conditions. Force 300-25 is available as an integrated unit with a dual-polarized 25 dBi narrow Beamwidth dish antenna.

Force 300-25 is based on highly integrated wireless semiconductor components designed to meet the IEEE 802.11ac standard, however, the Force 300-25 device has a proprietary air interface for the main point-to-point link.

Force 300-25 is powered by standard power-over-Ethernet to a 1000BASE-T port.

Management of the unit is conducted via the same interface as the bridged traffic (in-band Management).

An over view of Force 300-25 is shown in [Figure 4](#)



[Figure 4](#): Force 300-25

A summary of the main Force 300-25 characteristics are listed under [Table 3](#).

Table 3 Main characteristics of the Force 300-25 Series

Characteristic	Value
Topology	PMP, PTP
Wireless link condition	LoS, near LoS
Scheduler	TDD
Connectivity	Ethernet
Operating frequencies	Unlicensed bands, 5 GHz
Channel Bandwidth	20 MHz, 40 MHz, 80 MHz
Data rate	Up to 500+ Mbps

Force 300-19

The Force 300-19 is a rugged high-capacity outdoor point-to-multipoint or point-to-point link wireless devices in the unlicensed 5 GHz frequency bands with a maximum UDP throughput of 500+ Mbps (when operating with 80 MHz channel bandwidth). The Force 300-19 is IP55 rated capable of operating in line-of-sight (LoS) and near-LoS conditions.

Management of the unit is conducted via the same interface as the bridged traffic (in-band Management).

An over view of Force 300-19 is shown in [Figure 5](#).



Figure 5: Force 300-19

A summary of the main Force 300-19 characteristics are listed under [Table 4](#).



Note

This product meets the UL/cUL 62368 / IEC 62368 edition 2 specification, and the radio housings are designed to be rain-tight.

Table 4 Main characteristics of the Force 300-19 Series

Characteristic	Value
Topology	PMP, PTP
Wireless link condition	LoS, near LoS
Scheduler	TDD
Connectivity	Ethernet
Operating frequencies	Unlicensed bands, 5 GHz
Channel Bandwidth	20 MHz, 40 MHz, 80 MHz
Data rate	Up to 500+ Mbps

Force 300-19R

The Force 300-19R is a rugged high-capacity outdoor point-to-multipoint or point-to-point link wireless device in the unlicensed 5 GHz frequency bands with a maximum UDP throughput of 600+ Mbps (when operating with 80 MHz channel bandwidth). The Force 300-19R is IP67 rated capable of operating in line-of-sight (LoS) and near-LoS conditions. Force 300-19R is available as an integrated unit with a dual-polarized 19dBi integrated flat-panel antenna.

Force 300-19R is based on highly integrated wireless semiconductor components designed to meet the IEEE 802.11ac standard, however, the Force 300-19R device has a proprietary air interface for the main point-to-point link.

Force 300-19R is powered by standard power-over-Ethernet to a 1000BASE-T port.

Management of the unit is conducted via the same interface as the bridged traffic (in-band Management).

An over view of Force 300-19R is shown in [Figure 6](#)



Figure 6: Force 300-19R


A summary of the main Force 300-19R characteristics is listed under [Table 5](#).



Note

This product meets the UL/cUL 62368 / IEC 62368 edition 2 specification, and the radio housings are designed to be rain-tight.

Table 5 Main characteristics of the Force 300-19R Series

Characteristic	Value
Topology	PMP, PTP
Wireless link condition	LoS, near LoS
Scheduler	TDD
Connectivity	Ethernet
Operating frequencies	Unlicensed bands, 5 GHz
Channel Bandwidth	10/20/40/80 MHz
Data rate	Up to 500+ Mbps
Environmental	IP67  <p>Note This product meets the UL/cUL 62368 / IEC 62368 edition 2 specification, and the radio housings are designed to be rain-tight.</p>
Temperature	-30°C to +60°C (-22°F to 140°F)

Force 300-16

The Force 300-16 is a rugged high-capacity outdoor point-to-multipoint or point-to-point link wireless device in the unlicensed 5 GHz frequency bands with a maximum UDP throughput of 500+ Mbps (when

operating with 80 MHz channel bandwidth). It is capable of operating in line-of-sight (LoS) and near-LoS conditions. Force 300-16 is available as an integrated unit with a dual-polarized 16 dBi integrated antenna.

Force 300-16 is based on highly integrated wireless semiconductor components designed to meet the IEEE 802.11ac standard, however, the Force 300-16 device has a proprietary air interface for the main point-to-point link.

Force 300-16 is powered by standard power-over-Ethernet to a 1000BASE-T port.

Management of the unit is conducted via the same interface as the bridged traffic (in-band Management). An over view of Force 300-16 is shown in [Figure 7](#).



[Figure 7](#): Force 300-16

A summary of the main Force 300-16 characteristics is listed under [Table 6](#).

Table 6 Main characteristics of the Force 300-16 Series

Characteristic	Value
Topology	PMP, PTP
Wireless link condition	LoS, near LoS
Scheduler	TDD
Connectivity	Ethernet
Operating frequencies	Unlicensed bands, 5 GHz
Channel Bandwidth	20 MHz, 40 MHz, 80 MHz
Data rate	Up to 500+ Mbps

Force 300-13

The Force 300-13 is a rugged high-capacity outdoor Point-to-Multipoint or Point-to-Point link wireless device in the unlicensed 5 GHz frequency bands with a maximum UDP throughput of 500+ Mbps (when

operating with 80 MHz channel bandwidth). It can operate in line-of-sight (LoS). Force 300-13 is available as an integrated unit with a dual-polarized 13 dBi flat-panel antenna.

Force 300-13 is based on highly integrated wireless semiconductor components designed to meet the IEEE 802.11ac standard, however, the Force 300-13 device has a proprietary air interface for the main point-to-point link.

Force 300-13 is powered by standard power-over-Ethernet to a 1000BASE-T port.

Management of the unit is conducted via the same interface as the bridged traffic (in-band Management). An over view of Force 300-13 is shown in [Figure 8](#)



[Figure 8](#): Force 300-13

A summary of the main Force 300-13 characteristics are listed under [Table 7](#).

Table 7 Main characteristics of the Force 300-13 Series

Characteristic	Value
Topology	PMP, PTP
Wireless link condition	LoS
Scheduler	TDD
Connectivity	Ethernet
Operating frequencies	Unlicensed bands, 5 GHz
Channel Bandwidth	20 MHz, 40 MHz, 80 MHz
Data rate	Up to 500+ Mbps

Force 300-13L

The Force 300-13L is an affordable subscriber module in the ePMP Force 300 series. The Force 300-13L uses 802.11ac technology and supports MU-MIMO and other features offered by the ePMP 3000 and ePMP 3000L APs. It is also backward compatible with the ePMP 2000 using backward compatibility features. The Force 300-13L is powered by standard power-over-Ethernet to a 1000BASE-T port. An over view of Force 300-13L is shown in [Figure 9](#)



Figure 9: Force 300-13L



Note

The ePMP Force 300-13L is available in EMEA, CALA, and APAC regions where type approved. It is NOT available in North America.

A summary of the main Force 300-13L characteristics is listed under [Table 8](#).

Table 8 Main characteristics of the Force 300-13L Series

Characteristic	Value
Topology	PMP, PTP
Wireless link condition	LoS
Scheduler	TDD
Connectivity	Ethernet
Operating frequencies	Unlicensed bands, 5 GHz
Channel Bandwidth	20 MHz, 40 MHz, 80 MHz
Data rate	Up to 400+ Mbps

Force 300 CSM

The Force 300 CSM is an IP67 rugged high-capacity outdoor point-to-multipoint or point-to-point link wireless device in the unlicensed 5 GHz frequency bands with a maximum UDP throughput of 600+ Mbps (when operating with 80 MHz channel bandwidth). It can operate in line-of-sight (LoS). Force 300 CMS is a Connectorized device with support for RF Element Twistport™ adaptors.

The Force 300 CSM device is based on highly integrated wireless semiconductor components designed to meet the IEEE 802.11ac standard.

Management of the unit is conducted via the same interface as the bridged traffic (in-band Management). An over view of Force 300 CSM is shown in [Figure 10](#).



Figure 10: Force 300 CSM

A summary of the main Force 300 CSM characteristics are listed under [Table 10](#).



Note

This product meets the UL/cUL 62368 / IEC 62368 edition 2 specification, and the radio housings are designed to be raintight.

Table 10 Main characteristics of the Force 300 CSM

Characteristic	Value
Topology	PMP, PTP
Wireless link condition	LoS
Scheduler	TDD
Connectivity	Ethernet
Operating frequencies	Unlicensed bands, 5 GHz
Channel Bandwidth	20 MHz, 40 MHz, 80 MHz
Data rate	Up to 600+ Mbps

Force 300 CSML

The Force 300CSML is an affordable subscriber module in the ePMP Force 300 series. The Force 300 CSML uses 802.11ac technology and supports MU-MIMO and other features offered by the ePMP 3000 and ePMP 3000L APs. It is also backward compatible with the ePMP 2000 using backward compatibility features. The Force 300 CSML is powered by standard power-over-Ethernet to a 1000BASE-T port.

An over view of Force 300 CSML is shown in [Figure 11](#).



Figure 11: Force 300 CSML



Note

The ePMP Force 300 CSML is available in EMEA, CALA, and APAC regions where type approved. It is NOT available in North America.

A summary of the main Force 300 CSML characteristics is listed under [Table 11](#).

Table 11 Main characteristics of the Force 300 CSML Series

Characteristic	Value
Topology	PMP, PTP
Wireless link condition	LoS
Scheduler	TDD
Connectivity	Ethernet
Operating frequencies	Unlicensed bands, 5 GHz
Channel Bandwidth	20 MHz, 40 MHz, 80 MHz
Data rate	Up to 400+ Mbps

Force 425

The Force 425 device is a self-contained transceiver unit that houses both radio and networking electronics.

An overview of Force 425 is shown in [Figure 12](#).



Figure 12: Force 425 Integrated

Force 400C

The Force 400C device is a self-contained transceiver unit that houses both radio and networking electronics.

An overview of Force 400C is shown in Figure 13.



Figure 13: Force 400C Integrated

Typical installation equipment

The ePMP is a solution consisting of integrated outdoor units, indoor power supply units / LAN injectors, cabling, and surge suppression equipment.

The main hardware components of an ePMP installation are as follows:

- **ePMP 3000 Access Point:** A connectorized outdoor transceiver unit containing all the radio, networking, and surge suppression electronics.
- **ePMP 3000L Access Point:** A connectorized *IP67 outdoor transceiver unit containing all the radio, networking, and surge suppression electronics.
- **ePMP 3000/3000L Access Point Power Supply:** An indoor power supply module providing Power-over-Ethernet (PoE) supply and 1000 / 100 Base-TX to the AP.

- **ePMP 3000/3000L Access Point Radio Cabling and Lightning Protection:** Shielded Cat5e cables, grounding cables, surge suppressors, and connectors.
- **ePMP Smart Antenna and cabling (optional):** For Smart Beamforming, dynamically creates a narrow, targeted beam to each subscriber
- **Force 300-25/Force 300-19/Force 300-19R/Force 300-16/Force 300-13/Force 300 CSM Radio:** Integrated outdoor transceiver units containing all the radio, networking, and surge suppression electronics.
- **Force 300-25/Force 300-19/Force 300-19R/Force 300-16/Force 300-13/Force 300 CSM Power Supply:** An indoor power supply module providing Power-over-Ethernet (PoE) supply and 100/1000 BASE-T to the Force 300-25 device.
- **Force 300-25/Force 300-19/Force 300-19R/Force 300-16/Force 300-13/Force 300 CSM Radio Cabling and Lightning Protection:** Shielded Cat5e cables, grounding cables, surge suppressors, and connectors.
- **ePMP 4x4 MU-MIMO Sector Antenna/ePMP 4x4 MU-MIMO Dual-Horn Antenna/ePMP 4x4 MU-MIMO Omni Antenna:** External Antennas for the ePMP 3000 AP.

For more information about these components, including interfaces, specifications, and Cambium part numbers, see [Chapter 2: System Hardware](#).



Note

This product meets the UL/cUL 62368 / IEC 62368 edition 2 specification, and the radio housings are designed to be rain-tight.

Wireless operation

This section describes how the ePMP wireless link is operated, including modulation modes, power control, and security.

MU-MIMO

The ePMP 3000 MU-MIMO AP is equipped with either a sector antenna array or a pseudo-Omni antenna. Antenna diversity allows simultaneous DL transmissions for two subscriber modules for MU-MIMO. As such, the ePMP 3000 AP's DL throughput capacity is significantly increased vs. the ePMP 1000/2000 APs.

This is a contrast to a traditional wireless system, where two subscribers cannot communicate on the same channel to the same AP at the same time without causing significant self-interference and degrading the overall wireless network performance.

MIMO

The Multiple-Input Multiple-Output (MIMO) technique protects against fading and increases the probability of a received decoded signal being usable.

Smart beamforming (ePMP 2000/3000 series)

Powered by Hypure™ technology, ePMP series APs feature Smart Beamforming. This powerful addition to your network creates narrow, targeted beams to each subscriber, rather than relying on a traditional wide beam, blocking out multiple sources of interference to keep performance high.

The System learns the locations of each served Subscriber Module and forms a narrow beam towards the desired Subscriber Module while that radio is transmitting in the uplink. This reduces the gain on the

uplink for on-channel interferers that are transmitting at an azimuth angle different than the Subscriber Module, delivering performance gains never seen before.



Figure 14: *Smart beamforming*

Smart antenna key advantages

- **Eliminate Uplink Interference:** Smart Beamforming delivers dramatic performance improvements when dealing with strong co-channel uplink interference, maximizing network performance.
- **Consistent Performance in High Interference:** By mitigating significant sources of interference, packet loss and retransmissions are kept to a minimum, keeping your network applications working at their best.
- **Improvement in Uplink and Downlink Performance:** By eliminating packet loss and retransmissions resulting from co-channel uplink interference, TCP retransmissions are greatly reduced. Other applications also show significant performance benefits.
- **Intelligent Filtering** improves both receive and transmit performance. It protects the network from off-channel interferers with a filter that dynamically moves around the channel. On the transmit side, it protects the RF environment by reducing off-channel transmission noise.

Time-division duplexing

TDD cycle

ePMP links operate using Time Division Duplexing (TDD). The links employ a TDD cycle in which the AP determines which Subscriber Modules may transmit and when based on the configured downlink/uplink ratio (duty cycle). Three fixed Downlink/Uplink frame ratios are available – 75/25, 50/50, and 30/70.

OFDM and channel bandwidth

ePMP 3000 transmits using Orthogonal Frequency Division Multiplexing (OFDM). This wideband signal consists of many equally spaced sub-carriers. Although each subcarrier is modulated at a low rate using conventional modulation schemes, the resultant data rate from all the sub-carriers is high.

The channel bandwidth of the OFDM signal is 20 MHz, 40 MHz, or 80 MHz, based on operator configuration.

Each channel is offset in center frequency from its neighboring channel by 5 MHz.

Adaptive modulation

ePMP 3000 can transport data over the wireless link using several different modulation modes ranging from 256-QAM to QPSK. For a given channel bandwidth and TDD frame structure, each modulation mode transports data at a fixed rate. Also, the receiver requires a given signal-to-noise ratio to successfully demodulate a given modulation mode. Although the more complex modulations such as 256-QAM will transport data at a much higher rate than the less complex modulation modes, the receiver requires a much higher signal-to-noise ratio.

ePMP 3000 provides an adaptive modulation scheme where the receiver constantly monitors the quality of the received signal and notifies the far end of the link of the optimum modulation mode with which to transmit. In this way, optimum capacity is achieved at all times.

Radar avoidance

In regions where the protection of radars is part of the local regulations, ePMP must detect interference from radar-like systems and avoid co-channel operation with these systems.

To meet this requirement, ePMP implements the following features:

- The equipment can only transmit on available channels, of which there are none at initial power-up. The radar detection algorithm will always scan a usable channel for 60 seconds for radar interference before making the channel an available channel.
- This compulsory channel scan will mean that there is at least 60 seconds service outage every time radar is detected, and that the installation time is extended by at least 60 seconds even if there is found to be no radar on the channel.

There is a secondary requirement for bands requiring radar avoidance. Regulators have mandated that products provide a uniform loading of the spectrum across all devices. In general, this prevents operation with fixed frequency allocations. However:

- ETSI regulations do allow frequency planning of networks (as that has the same effect of spreading the load across the spectrum).
- The FCC does allow channels to be avoided if there is actual interference on them.



Note

When operating in a region that requires DFS, ensure that the AP is configured with alternate frequencies and that the SM is configured to scan for these frequencies to avoid long outages.

Encryption

ePMP supports optional encryption for data transmitted over the wireless link. The encryption algorithm used is the Advanced Encryption Standard (AES) with a 128-bit key size. AES is a symmetric encryption algorithm approved by U.S. Government organizations (and others) to protect sensitive information.

Country codes

Some aspects of the wireless operation are controlled, enforced, or restricted according to a country code. ePMP country codes represent individual countries (for example Denmark) or regulatory regions

(for example FCC or ETSI).

Country codes affect the following aspects of wireless operation:

- Maximum transmit power
- Radar avoidance (future release)
- Frequency range



Attention

To avoid possible enforcement action by the country regulator, always operate links in accordance with local regulations

Further reading on the wireless operation

For information on planning wireless operation, see:

- The regulatory restrictions that affect radio spectrum usages, such as frequency range and radar avoidance are described under [Radio spectrum planning](#).
- The factors to be taken into account when planning links such as range, path loss, and data throughput are described under [Link planning](#).
- The safety specifications against which the ePMP has been tested are listed under [Compliance with safety standards](#). It also describes how to keep RF exposure within safe limits.
- How ePMP complies with the radio regulations that are enforced in various countries is explained in [Compliance with radio regulations](#).

For more information on configuring and operating the wireless link, see:

- The configuration parameters of the ePMP devices are described under [Using the menu options](#).
- Post-installation procedures and troubleshooting tips are explained under [Chapter 5: Operation and Troubleshooting](#).

System management

This section introduces the ePMP management system, including the web interface, installation, alerts, and upgrades, configuration, and management software.

Management agent

ePMP equipment is managed through an embedded management agent. Management workstations, network management systems, or PCs can be connected to this agent using the module's Ethernet port, SFP port, over the air (Subscriber Module connection via AP), or by using the device Wi-Fi management interface.

The management agent supports the following interfaces:

- Hypertext Transfer Protocol (HTTP)
- Hypertext Transfer Protocol Secure (HTTPS)
- Simple Network Management Protocol (SNMP)
- Network Time Protocol (NTP)

- System logging (Syslog)
- cnMaestro™ Cloud-based or On-premises Management System
- Dynamic Host Configuration Protocol (DHCP)

Webserver

The ePMP management agent contains a web server. The web server supports access via the HTTP and HTTPS interfaces.

Web-based management offers a convenient way to manage the ePMP equipment from a locally connected computer or from a network management workstation connected through a management network, without requiring any special management software. The web-based interfaces are the only interfaces supported for the installation of ePMP, and the majority of ePMP configuration management tasks.

Identity-based user accounts

When identity-based user accounts are configured, a security officer can define from one to four user accounts, each of which may have one of the four possible roles:

- ADMINISTRATOR (default username/password “admin”), who has full read and write permission.
- INSTALLER (default username/password “installer”), who has permission to read and write parameters applicable to unit installation and monitoring.
- HOME (default username/password “home”), who has permission only to access pertinent information for support purposes
- READONLY (default username/password “readonly”), who has permission to only view the Monitor page.

SNMP

The management agent supports fault and performance management utilizing an SNMP interface. The management agent is compatible with SNMP v2c using one Management Information Base (MIB) file which is available for download from the Cambium Networks support site:

<https://support.cambiumnetworks.com/files/epmp>.

Network Time Protocol (NTP)

The clock supplies accurate date and time information to the system. It can be set to run with or without a connection to a network time server (NTP). It can be configured to display local time by setting the time zone and daylight saving on the Time web page.

If an NTP server connection is available, the clock can be set to synchronize with the server time at regular intervals.

ePMP devices may receive NTP data from a CMM module or an NTP server configured in the system’s management network.

The Time Zone option is configurable on the **Configure > System** page and may be used to offset the received NTP time to match the operator’s local time zone.

Software upgrade

Software upgrades may be issued via the radio web interface (**Tools > Software Upgrade**) or cnMaestro (cloud.cambiumnetworks.com). For software upgrades, see <https://support.cambiumnetworks.com/files/epmp>.

Further reading on system management

For more information on system management, see [Operation and Troubleshooting](#).

Chapter 2: System Hardware

This chapter describes the site planning and hardware components of an ePMP link.

The following topics are described in this chapter:

- Factors to be considered when planning the proposed network is described under [Site planning](#).
- The ePMP 3000 Access Point hardware, part numbers, mounting equipment, and specifications are described under [ePMP 3000 Access Point](#).
- The Force 300-25 module hardware, part numbers, mounting equipment, and specifications are described under [Force 300-25](#).
- The Force 300-19 module hardware, part numbers, mounting equipment, and specifications are described under [Force 300-19](#).
- The Force 300-19 module hardware, part numbers, mounting equipment, and specifications are described under [Force 300-19](#).
- The Force 300-19R module hardware, part numbers, mounting equipment, and specifications are described under [Force 300-19R](#).
- The Force 300-16 module hardware, part numbers, mounting equipment, and specifications are described under [Force 300-16](#).
- The Force 300-13 module hardware, part numbers, mounting equipment, and specifications are described under [Force 300-13](#).
- The Force 300-13L module hardware, part numbers, mounting equipment, and specifications are described under [Force 300-13L](#).
- The Force 300 CSM module hardware, part numbers, mounting equipment, and specifications are described under [Force 300 CSM](#).
- The ePMP MP 3000 MicroPOP module hardware, part numbers, mounting equipment, and specifications are described under [ePMP MP3000 MicroPoP](#).
- The Force 425 module hardware, integrated description, part numbers, mounting equipment, and specifications are described under [Force 425](#).
- The Force 400C module hardware, integrated description, part numbers, mounting equipment, and specifications are described under [Force 400C](#).
- The power supply hardware, part numbers, and specifications are described under [Power supply](#).
- Cable standards and lengths are described under [Ethernet cabling](#).
- Surge suppression requirements and recommendations are described under the [Surge suppression unit](#).

Site Planning

Conduct a site survey to ensure that the proposed sites meet the requirements defined in this section.

Site installation

An ePMP site typically consists of a high supporting structure such as a mast, tower, or building for the devices.

Find a location for the device that meets the following requirements:

- The equipment is high enough to achieve the best radio path.
- People can be kept a safe distance away from the equipment when it is radiating. The safe separation distances are defined in [Calculated distances and power compliance margins](#).
- The equipment is lower than the top of the supporting structure (tower, mast, or building) or its lightning air terminal.
- There is one Ethernet interface, a copper Cat5e connection from the device to the power supply, and network terminating equipment.

Grounding and lightning protection

Structures, equipment, and people must be protected against power surges (typically caused by lightning) by conducting the surge current to the ground via a separate preferential solid path. The actual degree of protection required depends on local conditions and applicable local regulations. To adequately protect an ePMP installation, both ground bonding and transient voltage surge suppression are required.



Warning

Electro-magnetic discharge (lightning) damage is not covered under warranty. The recommendations in this guide, when followed correctly, give the user the best protection from the harmful effects of EMD. However, 100% protection is neither implied nor possible.

Details of lightning protection methods and requirements can be found in the international standards IEC 61024-1 and IEC 61312-1, the U.S. National Electric Code ANSI/NFPA No. 70-1984, or section 54 of the Canadian Electric Code.



Note

International and national standards take precedence over the requirements in this guide.

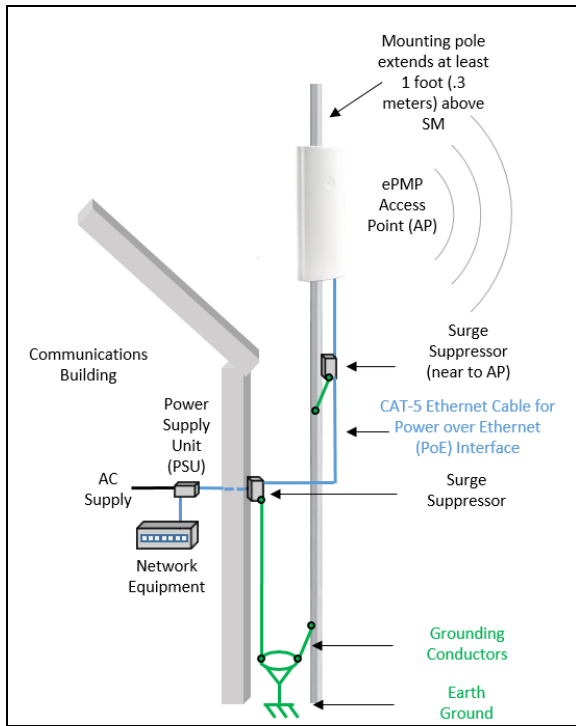


Figure 15: Access Point installation diagram

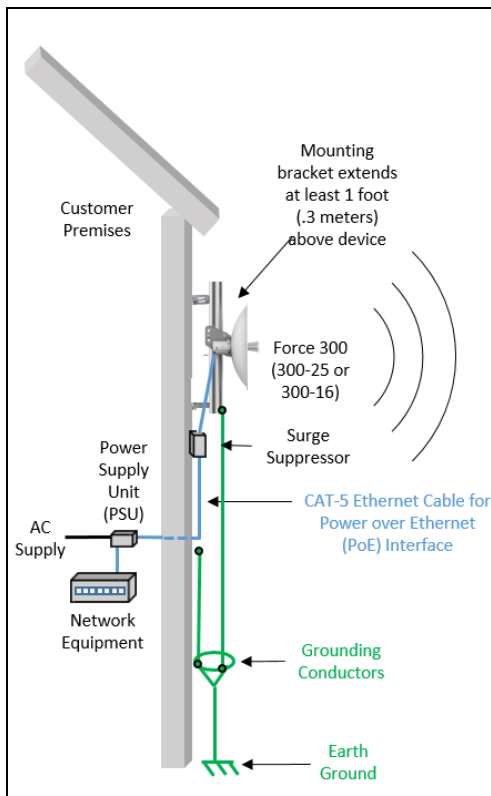


Figure 16: Subscriber / Point-to-Point installation diagram

Lightning protection zones

Use the rolling sphere method (Figure 17) to determine where it is safe to mount equipment. An imaginary sphere, typically 50 meters in radius, is rolled over the structure. Where the sphere rests against the ground and a strike termination device (such as a finial or ground bar), all the space under the sphere is considered to be in the zone of protection (Zone B). Similarly, where the sphere rests on two finials, the space under the sphere is considered to be in the zone of protection.

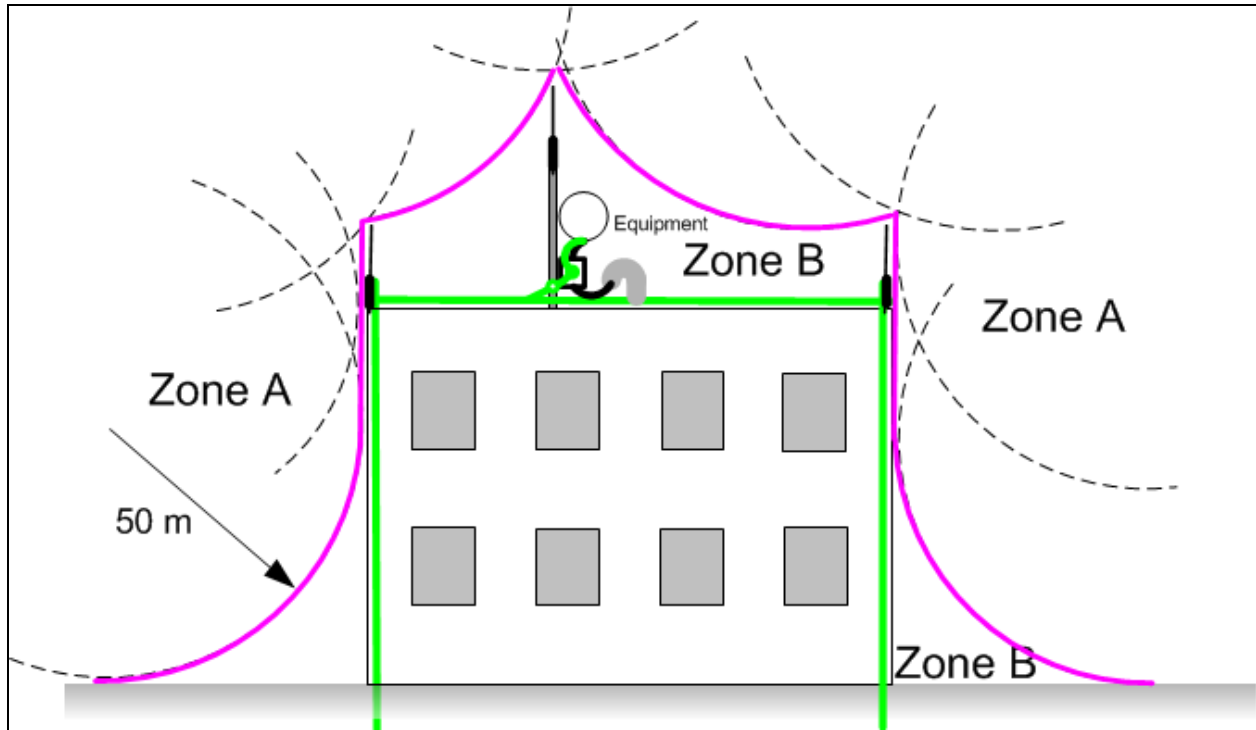


Figure 17: Rolling sphere method to determine the lightning protection zones

Assess locations on masts, towers, and buildings to determine if the location is in Zone A or Zone B:

- **Zone A:** In this zone a direct lightning strike is possible. Do not mount equipment in this zone.
- **Zone B:** In this zone, direct EMD (lightning) effects are still possible, but mounting in this zone significantly reduces the possibility of a direct strike. Mount equipment in this zone.



Warning

Do not mount equipment in Zone A which can put the equipment, structures, and life at risk.

ePMP 3000 Access Point

For details of the ePMP 3000 Access Point hardware, see:

- [ePMP 3000 Access Point description](#)
- [ePMP 3000 Access Point part numbers](#)
- [ePMP 3000 Access Point mounting bracket](#)

- [ePMP 3000 Access Point interfaces](#)
- [ePMP 3000 Access Point specifications](#)
- [ePMP 3000 Access Point heater](#)
- [ePMP 3000 Access Point wind loading](#)
- [ePMP 3000 Access Point software packages](#)

ePMP 3000 Access Point description

The ePMP 3000 AP is a self-contained transceiver unit that houses both radio and networking electronics.

It is available as a connectorized unit for use with a separate 4x4 MU-MIMO Sector/Dual-Horn/Omni antenna and an optional Smart Antenna (for uplink beam steering).

An overview of ePMP 3000 is shown in [Figure 18](#).



Figure 18: ePMP 3000 Access Point

ePMP 3000 Access Point part numbers

Choose the correct regional variant to adhere to local licensing restrictions.

Each of the parts listed in [Table 12](#) and [Table 13](#) includes the following items:

- One connectorized unit
- One power supply 1000/100 BASE-TX LAN injector
- One line cord

Table 12 ePMP 3000 Access Point part numbers

Cambium description	Cambium part number
ePMP 3000 5 GHz Access Point Radio (FCC) (US cord)	C058910A102A
ePMP 3000 5 GHz Access Point Radio (IC) (Canada/US cord)	C050910A104A
ePMP 3000 5 GHz Access Point Radio (EU) (EU cord)	C050910A203A
ePMP 3000 5 GHz Access Point Radio (EU) (UK cord)	C050910A303A

Cambium description	Cambium part number
ePMP 3000 5 GHz Access Point Radio (ROW) (no cord)	C050910A001A
ePMP 3000 5 GHz Access Point Radio (ROW) (US cord)	C050910A101A
ePMP 3000 5 GHz Access Point Radio (ROW) (EU cord)	C050910A201A
ePMP 3000 5 GHz Access Point Radio (ROW) (UK cord)	C050910A301A
ePMP 3000 5 GHz Access Point Radio (ROW) (India cord)	C050910A401A
ePMP 3000 5GHz Access Point Radio (India) (India Cord)	C050910A402A
ePMP 3000 5 GHz Access Point Radio (ROW) (China cord)	C050910A501A
ePMP 3000 5 GHz Access Point Radio (ROW) (Brazil cord)	C050910A601A
ePMP 3000 5 GHz Access Point Radio (ROW) (Argentina cord)	C050910A701A
ePMP 3000 5 GHz Access Point Radio (ROW) (ANZ cord)	C050910A801A
ePMP 3000 5 GHz Access Point Radio (ROW) (South Africa cord)	C050910A901A
ePMP 3000 5 GHz Access Point Radio (ROW) (No PSU)	C050910AZ01A
ePMP 4x4 MU-MIMO Sector Antenna (for ePMP3000AP)	C050910D301A
ePMP 4x4 MU-MIMO Dual-Horn Antenna (for ePMP3000AP)	C050900D025A
ePMP 4x4 MU-MIMO Omni Antenna (for ePMP3000AP) <ul style="list-style-type: none"> ▪ KP-5QSOMNI-13 (available directly from KP Performance) 	

Table 13 ePMP 3000 accessory part numbers

Cambium description	Cambium part number
PoE Gigabit DC Injector, 15W Output at 30V, Energy Level 6 Supply	N000900L001
CABLE, UL POWER SUPPLY CORD SET, ARGENTINA	N000900L013
CABLE, UL POWER SUPPLY CORD SET, AUS/NZ	N000900L011
CABLE, UL POWER SUPPLY CORD SET, Brazil	N000900L010
CABLE, UL POWER SUPPLY CORD SET, CHINA	N000900L015
CABLE, UL POWER SUPPLY CORD SET, EU	N000900L008
CABLE, UL POWER SUPPLY CORD SET, INDIA	N000900L012
CABLE, UL POWER SUPPLY CORD SET, UK	N000900L009
CABLE, UL POWER SUPPLY CORD SET, US	N000900L007

ePMP 3000 Access Point mounting bracket

The ePMP 3000 AP module is designed to be mounted with a sector antenna or pole-mounted using the mounting bracket provided in the box with the radio.

An overview of ePMP 3000 AP mounting bracket is shown in [Figure 19](#).




Figure 19: ePMP 3000 Access Point module mounting bracket

ePMP 3000 Access Point interfaces

The Ethernet port is located at the bottom of the unit. This interface is described in [Table 14](#).

Table 14 ePMP 3000 Series - rear interfaces

Port name	Connector	Interface	Description
Eth	RJ45	PoE input	Power over Ethernet (PoE)  Note All RJ45 Ethernet LAN cables used for providing power or are connected to power ports (PoE) must be UL certified with VW-1 markings
		100/1000BASE-T Ethernet	Data
SFP	SFP	Optical or Copper Gigabit Ethernet	Management and/or data

ePMP 3000 Access Point specifications


The ePMP 3000 connectorized module conforms to the specifications listed in [Table 15](#) and [Table 16](#).

The connectorized module meets the low-level static discharge specifications identified in [Electromagnetic compatibility \(EMC\) compliance](#) and provides internal surge suppression but does not provide lightning suppression.

Table 15 ePMP 3000 Access Point physical specifications

Category	Specification
Dimensions (Length x Width x Height)	22.2 cm x 12.4 cm x 4.5 cm (8.75 in x 4.9 in x 1.75 in) without brackets
Weight	0.7 kg (1.5 lbs) without brackets

Table 16 ePMP 3000 Access Point environmental specifications

Category	Specification
Temperature	-30°C (-22°F) to +55°C (131°F)
Wind loading	124 mph (200 kph) maximum. See ePMP 3000 Access Point wind loading for a full description.
Humidity	95% condensing
Environmental	IP55  <div style="border: 1px solid black; background-color: #e1f5fe; padding: 5px; margin-top: 10px;"> <p>Note</p> <p>This product meets the UL/cUL 62368 / IEC 62368 edition 2 specification, and the radio housings are designed to be rain-tight.</p> </div>

ePMP 3000 Access Point heater

At startup, if the ePMP 3000 AP module temperature is at or below 32°F (0°C), an internal heater is activated to ensure that the device can successfully begin operation. The unit's heater is only activated when the unit is powered on and will not apply heat to the device once the startup is complete. When the unit temperature is greater than 32°F (0°C), the heater is deactivated and the unit continues its startup sequence.

The effect on device startup time at various temperatures is defined in [Table 17](#).

Table 17 ePMP 3000 AP startup times based on ambient temperature

Initial Temperature	Startup time (from power on to operational)
-22°F (-30°C) H	20 minutes
-4°F (-20°C)	6 minutes
14°F (-10°C)	2 minutes, 30 seconds

ePMP 3000 Access Point wind loading

Ensure that the device and the structure on which it is mounted are capable of withstanding the prevalent wind speeds at a proposed ePMP site. Wind speed statistics are available from national meteorological offices.

The device and its mounting bracket are capable of withstanding wind speeds of up to 200 kph (124 mph).

Wind blowing on the device will subject the mounting structure to significant lateral force. The magnitude of the force depends on both wind strength and the surface area of the device. Wind loading is estimated using the following formulae:

$$\text{Force (in kilograms)} = 0.1045aV^2$$

Where:	Is:
a	the surface area in square meters
V	wind speed in meters per second

$$\text{Force (in pounds)} = 0.0042Av^2$$

Where:	Is:
A	the surface area in square feet
V	wind speed in miles per hour

Applying these formulae to the ePMP device at different wind speeds, the resulting wind loadings are shown in [Table 18](#) and [Table 19](#).

Table 18 ePMP 3000 Access Point wind loading (Kg)

Type of ePMP device	Largest surface area (square meters)	Wind speed (meters per second)		
		40	50	60
ePMP 3000 AP with Sector Antenna	0.13	21.74 Kg	33.96 Kg	48.91 Kg

Table 19 ePMP 3000 Access Point wind loading (lb)

Type of ePMP device	Largest surface area (square feet)	Wind speed (miles per hour)		
		80	100	120
ePMP 3000 AP with Sector Antenna	1.4	37.63 lb	58.80 lb	84.67 lb

ePMP 3000 Access Point software packages

ePMP 3000 AP devices may be upgraded by downloading new software packages from the Cambium Networks website or by using cnMaestro. The software packages applicable to ePMP integrated radios are named:

- ePMP-AC-v4.5-GA.img (or higher version number)

ePMP 3000L Access Point

For details of the ePMP 3000L Access Point hardware, see:

- [ePMP 3000L Access Point description](#)
- [ePMP 3000L Access Point part numbers](#)
- [ePMP 3000L Access Point mounting bracket](#)

- [ePMP 3000L Access Point interfaces](#)
- [ePMP 3000L Access Point specifications](#)
- [ePMP 3000L Access Point heater](#)
- [ePMP 3000L Access Point wind loading](#)
- [ePMP 3000L Access Point software packages](#)

ePMP 3000L Access Point description

The ePMP 3000L device is a self-contained transceiver unit that houses both radio and networking electronics.

An overview of ePMP 3000L is shown in [Figure 20](#).



Figure 20: ePMP 3000L Access Point

ePMP 3000L Access Point part numbers

Choose the correct regional variant to adhere to local licensing restrictions.

Each of the parts listed in [Table 20](#) and [Table 21](#) includes the following items:

- One connectorized unit
- One power supply 1000/100 BASE-TX LAN injector
- One line cord

Table 20 ePMP 3000L Access Point part numbers

Cambium description	Cambium part number
ePMP 3000L 5 GHz Access Point Radio (FCC) (US cord)	C058910A122A

Cambium description	Cambium part number
ePMP 3000L 5 GHz Access Point Radio (IC) (Canada/US cord)	C050910A124A
ePMP 3000L 5 GHz Access Point Radio (EU) (EU cord)	C050910A223A
ePMP 3000L 5 GHz Access Point Radio (EU) (UK cord)	C050910A323A
ePMP 3000L 5 GHz Access Point Radio (ROW) (no cord)	C050910A021A
ePMP 3000L 5 GHz Access Point Radio (ROW) (US cord)	C050910A121A
ePMP 3000L 5 GHz Access Point Radio (ROW) (EU cord)	C050910A221A
ePMP 3000L 5 GHz Access Point Radio (ROW) (UK cord)	C050910A321A
ePMP 3000L 5 GHz Access Point Radio (ROW) (India cord)	C050910A421A
ePMP 3000L 5GHz Access Point Radio (India) (India Cord)	C050910A422A
ePMP 3000L 5 GHz Access Point Radio (ROW) (China cord)	C050910A521A
ePMP 3000L 5 GHz Access Point Radio (ROW) (Brazil cord)	C050910A621A
ePMP 3000L 5 GHz Access Point Radio (ROW) (Argentina cord)	C050910A721A
ePMP 3000L 5 GHz Access Point Radio (ROW) (ANZ cord)	C050910A821A
ePMP 3000L 5 GHz Access Point Radio (ROW) (South Africa cord)	C050910A921A
ePMP 3000L 5 GHz Access Point Radio (ROW) (No PSU)	C050910AZ21A

Table 21 ePMP 3000L accessory part numbers

Cambium description	Cambium part number
PoE Gigabit DC Injector, 15W Output at 30V, Energy Level 6 Supply	N000900L001
CABLE, UL POWER SUPPLY CORD SET, ARGENTINA	N000900L013
CABLE, UL POWER SUPPLY CORD SET, AUS/NZ	N000900L011
CABLE, UL POWER SUPPLY CORD SET, Brazil	N000900L010
CABLE, UL POWER SUPPLY CORD SET, CHINA	N000900L015
CABLE, UL POWER SUPPLY CORD SET, EU	N000900L008
CABLE, UL POWER SUPPLY CORD SET, INDIA	N000900L012
CABLE, UL POWER SUPPLY CORD SET, UK	N000900L009
CABLE, UL POWER SUPPLY CORD SET, US	N000900L007

ePMP 3000L Access Point mounting bracket

The ePMP 3000L AP module is designed to be mounted with a sector antenna or pole-mounted using the mounting bracket provided in the box with the radio.

An overview of ePMP 3000L Access Point mounting bracket is shown in [Figure 21](#)




Figure 21: ePMP 3000L Access Point module mounting bracket

ePMP 3000L Access Point interfaces

The Ethernet port is located at the bottom of the unit. This interface is described in [Table 22](#).

Table 22 ePMP 3000 Series – rear interfaces

Port name	Connector	Interface	Description
Eth	RJ45	PoE input	Power over Ethernet (PoE). <div style="display: flex; align-items: center;">  <div style="border: 1px solid black; background-color: #e6f2ff; padding: 5px;"> <p>Note</p> <p>All RJ45 Ethernet LAN cables used for providing power or are connected to power ports (PoE) must be UL certified with VW-1 markings.</p> </div> </div>
		100/1000BASE-T Ethernet	Data
SFP	SFP	Optical or Copper Gigabit Ethernet	Management and/or data

ePMP 3000L Access Point specifications


The ePMP 3000L connectorized module conforms to the specifications listed in [Table 23](#) and [Table 24](#).

The connectorized module meets the low-level static discharge specifications identified in [Electromagnetic compatibility \(EMC\) compliance](#) and provides internal surge suppression but does not provide lightning suppression.

Table 23 ePMP 3000L Access Point physical specifications

Category	Specification
Dimensions (Length x Width x Height)	22.2 cm x 12.4 cm x 4.5 cm (8.75 in x 4.9 in x 1.75 in) without brackets
Weight	0.7 kg (1.5 lbs) without brackets

Table 24 ePMP 3000L Access Point environmental specifications

Category	Specification
Temperature	-30°C (-22°F) to +55°C (131°F)
Wind loading	124 mph (200 kph) maximum. See ePMP 3000 Access Point wind loading (Kg) for a full description.
Humidity	95% condensing
Environmental	IP67.  <div style="border: 1px solid black; background-color: #e1f5fe; padding: 5px; margin-top: 10px;"> <p>Note This product meets the UL/cUL 62368 / IEC 62368 edition 2 specification, and the radio housings are designed to be rain-tight.</p> </div>

ePMP 3000L Access Point heater

At startup, if the ePMP 3000L AP module temperature is at or below 32°F (0°C), an internal heater is activated to ensure that the device can successfully begin operation. The unit's heater is only activated when the unit is powered on and will not apply heat to the device once the startup is complete. When the unit temperature is greater than 32°F (0°C), the heater is deactivated, and the unit continues its startup sequence.

The effect on device startup time at various temperatures is defined in [Table 25](#).

Table 25 ePMP 3000L Access Point startup times based on ambient temperature

Initial Temperature	Startup time (from power on to operational)
-22°F (-30°C) H	20 minutes
-4°F (-20°C)	6 minutes
14°F (-10°C)	2 minutes, 30 seconds

ePMP 3000L Access Point wind loading

Ensure that the device and the structure on which it is mounted are capable of withstanding the prevalent wind speeds at a proposed ePMP site. Wind speed statistics are available from national meteorological offices.

The device and its mounting bracket are capable of withstanding wind speeds of up to 200 kph (124 mph).

Wind blowing on the device will subject the mounting structure to significant lateral force. The magnitude of the force depends on both wind strength and the surface area of the device. Wind loading is estimated using the following formulae:

$$\text{Force (in kilograms)} = 0.1045aV^2$$

Where:	Is:
a	the surface area in square meters
V	wind speed in meters per second

$$\text{Force (in pounds)} = 0.0042AV^2$$

Where:	Is:
A	the surface area in square feet
V	wind speed in miles per hour

Applying these formulae to the ePMP device at different wind speeds, the resulting wind loadings are shown in [Table 26](#) and [Table 27](#).

Table 26 ePMP 3000L Access Point wind loading (Kg)

Type of ePMP device	Largest surface area (square meters)	Wind speed (meters per second)		
		40	50	60
ePMP 3000L Access Point with Sector Antenna	0.13	21.74 Kg	33.96 Kg	48.91 Kg

Table 27 ePMP 3000L Access Point wind loading (lb)

Type of ePMP device	Largest surface area (square feet)	Wind speed (miles per hour)		
		80	100	120
ePMP 3000L Access Point with Sector Antenna	1.4	37.63 lb	58.80 lb	84.67 lb

ePMP 3000L Access Point software packages

ePMP 3000L AP devices may be upgraded by downloading new software packages from the Cambium Networks website or by using cnMaestro. The software packages applicable to ePMP integrated radios are named:

- ePMP-AC-v4.5-GA.img (or higher version number)

Force 300-25

For details of the Force 300-25 hardware, see:

- [Force 300-25 integrated description](#)
- [Force 300-25 part numbers](#)
- [Force 300-25 mounting bracket](#)
- [Force 300-25 interfaces](#)
- [Force 300-25 interfaces](#)
- [Force 300-25 heater](#)
- [Force 300-25 wind loading](#)
- [Force 300-25 software packages](#)

Force 300-25 integrated description

The Force 300-25 device is a self-contained transceiver unit that houses both radio and networking electronics.

An overview of ePMP 3000 is shown in [Figure 22](#).



Figure 22: Force 300-25 Integrated

Force 300-25 part numbers

Choose the correct regional variant to adhere to local licensing restrictions.

Each of the parts listed in [Table 28](#) and [Table 29](#) includes the following items:

- One integrated unit
- One power supply 1000/100 BASE-TX LAN injector
- One line cord

Table 28 Force 300-25 part numbers

Cambium description	Cambium part number
ePMP Force 300-25-25 5 GHz High Gain Radio (FCC) (US Cord)	C058910C102A
ePMP Force 300-25-25 5 GHz High Gain Radio (IC) (Canada/US Cord)	C050910C104A
ePMP Force 300-25-25 5 GHz High Gain Radio (EU) (EU Cord)	C050910C203A
ePMP Force 300-25-25 5 GHz High Gain Radio (EU) (UK Cord)	C050910C303A
ePMP Force 300-25-25 5 GHz High Gain Radio (RoW) (no Cord)	C050910C001A
ePMP Force 300-25-25 5 GHz High Gain Radio (RoW) (US Cord)	C050910C101A
ePMP Force 300-25-25 5 GHz High Gain Radio (RoW) (EU Cord)	C050910C201A
ePMP Force 300-25-25 5 GHz High Gain Radio (RoW) (UK Cord)	C050910C301A
ePMP Force 300-25-25 5 GHz High Gain Radio (RoW) (India Cord)	C050910C401A
ePMP Force 300-25-25 5 GHz High Gain Radio (RoW) (China Cord)	C050910C501A
ePMP Force 300-25-25 5 GHz High Gain Radio (RoW) (Brazil Cord)	C050910C601A
ePMP Force 300-25-25 5 GHz High Gain Radio (RoW) (Argentina Cord)	C050910C701A
ePMP Force 300-25-25 5 GHz High Gain Radio (RoW) (ANZ Cord)	C050910C801A
ePMP Force 300-25-25 5 GHz High Gain Radio (RoW) (South Africa Cord)	C050910C901A
ePMP Force 300-25-25 5 GHz High Gain Radio (RoW) (No PSU)	C050910CZ01A

Table 29 Force 300-25 accessory part numbers

Cambium description	Cambium part number
PoE Gigabit DC Injector, 15W Output at 30V, Energy Level 6 Supply	N000900L001
CABLE, UL POWER SUPPLY CORD SET, ARGENTINA	N000900L013
CABLE, UL POWER SUPPLY CORD SET, AUS/NZ	N000900L011
CABLE, UL POWER SUPPLY CORD SET, Brazil	N000900L010
CABLE, UL POWER SUPPLY CORD SET, CHINA	N000900L015
CABLE, UL POWER SUPPLY CORD SET, EU	N000900L008
CABLE, UL POWER SUPPLY CORD SET, INDIA	N000900L012
CABLE, UL POWER SUPPLY CORD SET, UK	N000900L009
CABLE, UL POWER SUPPLY CORD SET, US	N000900L007

Force 300-25 mounting bracket

The Force 300-25 module is designed to be pole-mounted using the mounting bracket provided in the box with the radio.

An overview of Force 300-25 mounting bracket is shown in [Figure 23](#).




Figure 23: Force 300-25 module mounting bracket

Force 300-25 interfaces

The Ethernet port is located on the rear of the integrated unit. This interface is described in [Table 30](#).

Table 30 Force 300-25 Series – rear interfaces

Port name	Connector	Interface	Description
Eth	RJ45	PoE input	Power over Ethernet (PoE). <div style="display: flex; align-items: center;">  <div style="margin-left: 10px;"> <p>Note</p> <p>All RJ45 Ethernet LAN cables used for providing power or are connected to power ports (PoE) must be UL certified with VW-1 markings.</p> </div> </div>
		100/1000BASE-T Ethernet	Data

Force 300-25 specifications


The Force 300-25 integrated module conforms to the specifications listed in [Table 31](#) and [Table 32](#).

The integrated module meets the low-level static discharge specifications identified in [Electromagnetic compatibility \(EMC\) compliance](#) and provides internal surge suppression but does not provide lightning suppression.

Table 31 Force 300-25 physical specifications

Category	Specification
Dimensions (Diameter x Depth)	47 cm x 31 cm (18.5 in x 12.2 in)
Weight	2.4 kg (5.2 lbs)

Table 32 Force 300-25 environmental specifications

Category	Specification
Temperature	-30°C (-22°F) to +55°C (131°F)
Wind loading	124 mph (200 kph) maximum. See Force 300-25 wind loading for a full description.
Humidity	95% condensing
Environmental	IP55  <div style="border: 1px solid black; padding: 5px; margin-top: 10px;"> <p>Note</p> <p>This product meets the UL/cUL 62368 / IEC 62368 edition 2 specification, and the radio housings are designed to be rain-tight.</p> </div>

Force 300-25 heater

At startup, if the Force 300-25 module temperature is at or below 32°F (0°C), an internal heater is activated to ensure that the device can successfully begin operation. The unit's heater is only activated when the unit is powered on and will not apply heat to the device once the startup is complete. When the unit temperature is greater than 32°F (0°C), the heater is deactivated, and the unit continues its startup sequence.

The effect on device startup time at various temperatures is defined in [Table 33](#)

Table 33 Force 300-25 startup times based on ambient temperature

Initial Temperature	Startup time (from power on to operational)
-22°F (-30°C) H	20 minutes
-4°F (-20°C)	6 minutes
14°F (-10°C)	2 minutes, 30 seconds

Force 300-25 wind loading

Ensure that the device and the structure on which it is mounted are capable of withstanding the prevalent wind speeds at a proposed ePMP site. Wind speed statistics are available from national meteorological offices.

The device and its mounting bracket are capable of withstanding wind speeds of up to 200 kph (124 mph).

Wind blowing on the device will subject the mounting structure to significant lateral force. The magnitude of the force depends on both wind strength and the surface area of the device. Wind loading is estimated using the following formulae:

$$\text{Force (in kilograms)} = 0.1045aV^2$$

Where:	Is:
a	the surface area in square meters
V	wind speed in meters per second

$$\text{Force (in pounds)} = 0.0042Av^2$$

Where:	Is:
A	the surface area in square feet
v	wind speed in miles per hour

Applying these formulae to the ePMP device at different wind speeds, the resulting wind loadings are shown in [Table 34](#) and [Table 35](#)

Table 34 Force 300-25 wind loading (Kg)

Type of ePMP device	Largest surface area (square meters)	Wind speed (meters per second)		
		40	50	60
Force 300-25 Integrated	0.15	25.08 Kg	39.2 Kg	56.43 Kg

Table 35 Force 300-25 wind loading (lb)

Type of ePMP device	Largest surface area (square feet)	Wind speed (miles per hour)		
		80	100	120
Force 300-25 Integrated	1.61	43.28 lb	67.62 lb	97.37 lb

Force 300-25 software packages

Force 300-25 devices may be upgraded by downloading new software packages from the Cambium Networks website or by using cnMaestro. The software packages applicable to ePMP integrated radios are named:

- ePMP-AC-v4.5-GA.img (or higher version number)

Force 300-25L

For details of the Force 300-25L hardware, see:

- [Force 300 CSM Connectorized Subscriber Module description](#)
- [Force 300-25L key features](#)
- [Force 300-25L part numbers](#)
- [Force 300-25L interfaces](#)
- [Force 300-25L specifications](#)
- [Force 300-25L heater](#)
- [Force 300-25L wind loading](#)
- [Force 300-25L software packages](#)

Force 300-25L integrated description

The Force 300-25L is an integrated 802.11ac Wave2 based Subscriber Module with an integrated 25 dBi dish.

The radio supports PTP and ePTP protocols and is compatible with PMP applications with ePMP 3000, ePMP 3000L, and ePMP 2000 APs.

An overview of Force 300-25L is shown in [Figure 24](#).

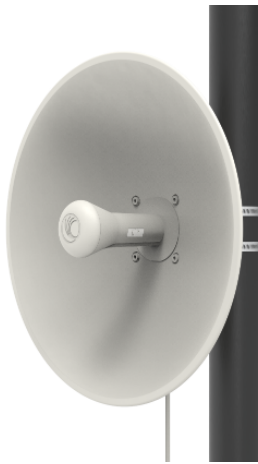


Figure 24: Force 300-25L

Force 300-25L key features

- Supports up to 400 Mbps usable throughput
- Frequency Range from 4.9 to 6.4 GHz
- Up to 26 dBm Tx Power
- Network management: HTTPS, SNMPv2c, SSH, cnMaestro
- Channel Size: 20 / 40 / 80 MHz

Force 300-25L part numbers

Choose the correct regional variant to adhere to local licensing restrictions.

Each of the parts listed in [Table 36](#) and [Table 37](#) includes the following items:

- One unit
- One Dish
- One Fixed Mounting Bracket
- One unit
- Two Hose Clamps
- One PoE injector
- One Line Cord



Note

An Optional Tilt Mount Bracket is available separately (N000900L063A).

Table 36 Force 300-25L part numbers

Cambium description	Cambium part number
ePMP 5 GHz Force 300-25L SM Bulk Packaging (ROW) (no cord)	C050910M071A
ePMP 5 GHz Force 300-25L SM Bulk Packaging (ROW) (US cord)	C050910M171A
ePMP 5 GHz Force 300-25L SM Bulk Packaging (ROW) (EU cord)	C050910M271A
ePMP 5 GHz Force 300-25L SM Bulk Packaging (EU) (EU cord)	C050910M273A
ePMP 5 GHz Force 300-25L SM Bulk Packaging (ROW) (UK cord)	C050910M371A
ePMP 5 GHz Force 300-25L SM Bulk Packaging (EU) (UK cord)	C050910M373A
ePMP 5 GHz Force 300-25L SM Bulk Packaging (ROW) (India cord)	C050910M471A
ePMP 5 GHz Force 300-25L SM Bulk Packaging (India) (India Cord)	C050910M472A
ePMP 5 GHz Force 300-25L SM Bulk Packaging (ROW) (China cord)	C050910M571A
ePMP 5 GHz Force 300-25L SM Bulk Packaging (ROW) (Brazil cord)	C050910M671A
ePMP 5 GHz Force 300-25L SM Bulk Packaging (ROW) (Argentina cord)	C050910M771A
ePMP 5 GHz Force 300-25L SM Bulk Packaging (ROW) (ANZ cord)	C050910M871A
ePMP 5 GHz Force 300-25L SM Bulk Packaging (ROW) (South Africa cord)	C050910CM71A
ePMP 5 GHz Force 300-25L SM Bulk Packaging (ROW) (No PSU)	C050910MZ71A
ePMP 5 GHz Force 300-25L SM Bulk Packaging (ROW) (no cord)	C050910C071A
ePMP 5 GHz Force 300-25L SM Bulk Packaging (ROW) (US cord)	C050910C171A
ePMP 5 GHz Force 300-25L SM Bulk Packaging (ROW) (EU cord)	C050910C271A
ePMP 5 GHz Force 300-25L SM Bulk Packaging (EU) (EU cord)	C050910C273A
ePMP 5 GHz Force 300-25L SM Bulk Packaging (ROW) (UK cord)	C050910C371A
ePMP 5 GHz Force 300-25L SM Bulk Packaging (EU) (UK cord)	C050910C373A
ePMP 5 GHz Force 300-25L SM Bulk Packaging (ROW) (India cord)	C050910C471A
ePMP 5 GHz Force 300-25L SM Bulk Packaging (India) (India Cord)	C050910C472A
ePMP 5 GHz Force 300-25L SM Bulk Packaging (ROW) (China cord)	C050910C571A
ePMP 5 GHz Force 300-25L SM Bulk Packaging (ROW) (Brazil cord)	C050910C671A
ePMP 5 GHz Force 300-25L SM Bulk Packaging (ROW) (Argentina cord)	C050910C771A
ePMP 5 GHz Force 300-25L SM Bulk Packaging (ROW) (ANZ cord)	C050910C871A
ePMP 5 GHz Force 300-25L SM Bulk Packaging (ROW) (South Africa cord)	C050910C971A
ePMP 5 GHz Force 300-25L SM Bulk Packaging (ROW) (No PSU)	C050910CZ71A

Table 37 Force 300-25L accessory part numbers

Cambium description	Cambium part number
PoE Gigabit DC Injector, 15W Output at 30V, Energy Level 6 Supply	N000900L001
CABLE, UL POWER SUPPLY CORD SET, ARGENTINA	N000900L013
CABLE, UL POWER SUPPLY CORD SET, AUS/NZ	N000900L011
CABLE, UL POWER SUPPLY CORD SET, Brazil	N000900L010
CABLE, UL POWER SUPPLY CORD SET, CHINA	N000900L015
CABLE, UL POWER SUPPLY CORD SET, EU	N000900L008
CABLE, UL POWER SUPPLY CORD SET, INDIA	N000900L012
CABLE, UL POWER SUPPLY CORD SET, UK	N000900L009
CABLE, UL POWER SUPPLY CORD SET, US	N000900L007

Force 300-25L interfaces

The Ethernet port is located on the rear of the unit.

Table 38 Force 300-25L - rear interfaces

Port name	Connector	Interface	Description
Eth	RJ45	PoE input	Power over Ethernet (PoE).
		100/1000BASE-T Ethernet	Data


Force 300-25L specifications

The Force 300-25L integrated module conforms to the specifications listed in [Table 39](#) and [Table 40](#). The integrated module meets the low-level static discharge specifications identified in [Electromagnetic compatibility \(EMC\) compliance](#) and provides internal surge suppression but does not provide lightning suppression.

Table 39 Force 300-25L physical specifications

Category	Specification
Dimensions (Diameter x Depth)	TBDmm x TBDmm x TBDmm (TBDin x TBDin x TBDin)
Weight	TBD
Antenna	Integrated dish, 25 dBi,
Pole Diameter Range	3.8 cm - 6.4 cm (1.5 in - 2.5 in)
Power Consumption	12 W Maximum, 9 W Typical
Input Voltage	30 V Passive PoE (14-30V DC input)

Table 40 Force 300-25L environmental specifications

Category	Specification
Temperature	-30°C to +55°C (-22°F to +122°F) ambient op temp
Wind Survival	200 km/hour (124 mi/hour)
Environmental	IP55  <div style="border: 1px solid black; background-color: #e1f5fe; padding: 5px; margin-top: 10px;"> <p>Note</p> <p>This product meets the UL/cUL 62368 / IEC 62368 edition 2 specification, and the radio housings are designed to be rain-tight.</p> </div>

Force 300-25L heater

At start-up, if the Force 300-25L module temperature is at or below 32°F (0°C), an internal heater is activated to ensure that the device can successfully begin operation. The unit's heater is only activated when the unit is powered on and will not apply heat to the device once the startup is complete. When the unit temperature is greater than 32°F (0°C), the heater is deactivated, and the unit continues its start-up sequence.

The effect on device startup time at various temperatures is defined in [Table 41](#).

Table 41 Force 300-25L startup times based on ambient temperature

Initial Temperature	Startup time (from power on to operational)
-22°F (-30°C) H	20 minutes
-4°F (-20°C)	6 minutes
14°F (-10°C)	2 minutes, 30 seconds

Force 300-25L wind loading

Ensure that the device and the structure on which it is mounted are capable of withstanding the prevalent wind speeds at a proposed ePMP site. Wind speed statistics are available from national meteorological offices.

The device and its mounting bracket are capable of withstanding wind speeds of up to 180 kph (124 mph).

Wind blowing on the device will subject the mounting structure to significant lateral force. The magnitude of the force depends on both wind strength and the surface area of the device. Wind loading is estimated using the following formulae:

$$\text{Force (in kilograms)} = 0.1045aV^2$$

Where:	Is:
a	the surface area in square meters
V	wind speed in meters per second

$$\text{Force (in pounds)} = 0.0042Av^2$$

Where:	Is:
A	the surface area in square feet
v	wind speed in miles per hour

Applying these formulae to the ePMP device at different wind speeds, the resulting wind loadings are shown in [Table 42](#) and [Table 43](#).

Table 42 Force 300-25L wind loading (Kg)

Type of ePMP device	Largest surface area (square meters)	Wind speed (meters per second)		
		30	40	50
Force 300-25L Integrated	0.03	2.82 Kg	5.02 Kg	7.84 Kg

Table 43 Force 300-25L wind loading (lb)

Type of ePMP device	Largest surface area (square feet)	Wind speed (miles per hour)		
		80	100	120
Force 300-25L	0.28	7.53 lb	11.76 lb	16.93 lb

Force 300-25L software packages

Force 300-25L devices may be upgraded by downloading new software packages from the Cambium Networks website or by using cnMaestro. The software packages applicable to ePMP integrated radios are named:

- ePMP-AC-v4.5-GA.img (or higher version number)

Force 300-19

For details of the Force 300-19 hardware, see:

- [Force 300-19 integrated description](#)
- [Force 300-19 part numbers](#)
- [Force 300-19 mounting bracket](#)
- [Force 300-19 interfaces](#)
- [Force 300-19 specifications](#)
- [Force 300-19 heater](#)
- [Force 300-19 wind loading](#)
- [Force 300-19 software packages](#)

Force 300-19 integrated description

The Force 300-19 device is a self-contained transceiver unit that houses both radio and networking electronics.

(FCCID:Z8H89FT0048 | IC:109W-0048)

An overview of Force 300-19 is shown in [Figure 25](#).



[Figure 25](#): Force 300-19 Access Point

Force 300-19 part numbers

Choose the correct regional variant to adhere to local licensing restrictions.

Each of the parts listed in [Table 44](#) and [Table 45](#) include the following items:

- One integrated unit
- One power supply 1000/100 BASE-TX LAN injector
- One line cord

[Table 44](#) Force 300-19 part numbers

Cambium description	Cambium part number
ePMP 5 GHz Force 300-19 SM (FCC) (US cord)	C058900C801A
ePMP 5 GHz Force 300-19 SM (IC) (Canada/US cord)	C050900C801A
ePMP 5 GHz Force 300-19 SM (EU) (EU cord)	C050900C802A
ePMP 5 GHz Force 300-19 SM (EU) (UK cord)	C050900C803A
ePMP 5 GHz Force 300-19 SM (ROW) (no cord)	C050900C804A
ePMP 5 GHz Force 300-19 SM (ROW) (US cord)	C050900C805A
ePMP 5 GHz Force 300-19 SM (ROW) (EU cord)	C050900C806A
ePMP 5 GHz Force 300-19 SM (ROW) (UK cord)	C050900C807A
ePMP 5 GHz Force 300-19 SM (ROW) (India cord)	C050900C808A
ePMP 5 GHz Force 300-19 SM (India) (India cord)	C050900C809A
ePMP 5 GHz Force 300-19 SM (ROW) (China cord)	C050900C810A
ePMP 5 GHz Force 300-19 SM (ROW) (Brazil cord)	C050900C811A
ePMP 5 GHz Force 300-19 SM (ROW) (Argentina cord)	C050900C812A
ePMP 5 GHz Force 300-19 SM (ROW) (ANZ cord)	C050900C813A

Cambium description	Cambium part number
ePMP 5 GHz Force 300-19 SM (ROW) (South Africa cord)	C050900C814A
ePMP 5 GHz Force 300-19 SM (ROW) (No PSU)	C050900C815A

Table 45 Force 300-19 accessory part numbers

Cambium description	Cambium part number
PoE Gigabit DC Injector, 15W Output at 30V, Energy Level 6 Supply	N000900L001
CABLE, UL POWER SUPPLY CORD SET, ARGENTINA	N000900L013
CABLE, UL POWER SUPPLY CORD SET, AUS/NZ	N000900L011
CABLE, UL POWER SUPPLY CORD SET, Brazil	N000900L010
CABLE, UL POWER SUPPLY CORD SET, CHINA	N000900L015
CABLE, UL POWER SUPPLY CORD SET, EU	N000900L008
CABLE, UL POWER SUPPLY CORD SET, INDIA	N000900L012
CABLE, UL POWER SUPPLY CORD SET, UK	N000900L009
CABLE, UL POWER SUPPLY CORD SET, US	N000900L007

Force 300-19 mounting bracket

The Force 300-19 module is designed to be pole-mounted using the mounting bracket provided in the box with the radio.

An overview of Force 300-19 mounting bracket is shown in [Figure 26](#)




Figure 26: Force 300-19 module mounting bracket

Force 300-19 interfaces

The Ethernet port is located on the rear of the integrated unit. This interface is described in [Table 46](#)

Table 46 Force 300-19 Series – rear interfaces

Port name	Connector	Interface	Description
Eth	RJ45	PoE input	Power over Ethernet (PoE). 
		100/1000BASE-T Ethernet	Data

Note
All RJ45 Ethernet LAN cables used for providing power or are connected to power ports (PoE) must be UL certified with VW-1 markings.

Force 300-19 specifications


The Force 300-19 integrated module conforms to the specifications listed in [Table 47](#) and [Table 48](#).

The integrated module meets the low-level static discharge specifications identified in [Electromagnetic compatibility \(EMC\) compliance](#) and provides internal surge suppression but does not provide lightning suppression.

Table 47 Force 300-19 physical specifications

Category	Specification
Dimensions	27.8 cm x 27.8 cm x 4.5cm (10.9 in x 10.9 in x 1.8 in)
Weight	1.45 kg (3.2 lbs) (Including mounting bracket)
Antenna Gain	19 dBi

Table 48 Force 300-19 environmental specifications

Category	Specification
Temperature	-30°C (-22°F) to +60°C (140°F)
Wind loading	113 mph (180 kph) maximum. See Force 300-19 wind loading for a full description.
Humidity	95% condensing
Environmental	IP55 

Note
This product meets the UL/cUL 62368 / IEC 62368 edition 2 specification, and the radio housings are designed to be rain-tight.

Force 300-19 heater

At startup, if the Force 300-19 module temperature is at or below 32°F (0°C), an internal heater is activated to ensure that the device can successfully begin operation. The unit's heater is only activated when the unit is powered on and will not apply heat to the device once the startup is complete. When the

unit temperature is greater than 32°F (0°C), the heater is deactivated, and the unit continues its startup sequence.

The effect on device startup time at various temperatures is defined in [Table 49](#).

Table 49 Force 300-19 startup times based on ambient temperature

Initial Temperature	Startup time (from power on to operational)
-22°F (-30°C) H	20 minutes
-4°F (-20°C)	6 minutes
14°F (-10°C)	2 minutes, 30 seconds

Force 300-19 wind loading

Ensure that the device and the structure on which it is mounted are capable of withstanding the prevalent wind speeds at a proposed ePMP site. Wind speed statistics are available from national meteorological offices.

The device and its mounting bracket are capable of withstanding wind speeds of up to 180 kph (113 mph).

Wind blowing on the device will subject the mounting structure to significant lateral force. The magnitude of the force depends on both wind strength and the surface area of the device. Wind loading is estimated using the following formulae:

$$\text{Force (in kilograms)} = 0.1045aV^2$$

Where:	Is:
a	the surface area in square meters
V	wind speed in meters per second

$$\text{Force (in pounds)} = 0.0042Av^2$$

Where:	Is:
A	the surface area in square feet
v	wind speed in miles per hour

Applying these formulae to the ePMP device at different wind speeds, the resulting wind loadings are shown in [Table 50](#) and [Table 51](#).

Table 50 Force 300-19 wind loading (Kg)

Type of ePMP device	Largest surface area (square meters)	Wind speed (meters per second)		
		40	50	60
Force 300-19 Integrated	0.08	13.4 Kg	20.9 Kg	30.1Kg

Table 51 Force 300-19 wind loading (lb)

Type of ePMP device	Largest surface area (square feet)	Wind speed (miles per hour)		
		80	100	120
Force 300-19 Integrated	0.8281	22.3 lb	34.8 lb	50.1 lb

Force 300-19 software packages

Force 300-19 devices may be upgraded by downloading new software packages from the Cambium Networks website or by using cnMaestro. The software packages applicable to ePMP integrated radios are named:

- ePMP-AC-v4.5-GA.img (or higher version number)

Force 300-19R

For details of the Force 300-19R hardware, see:

- [Force 300-19R integrated description](#)
- [Force 300-19R part numbers](#)
- [Force 300-19R mounting bracket](#)
- [Force 300-19R interfaces](#)
- [Force 300-19R specifications](#)
- [Force 300-19R heater](#)
- [Force 300-19R wind loading](#)
- [Force 300-19R software packages](#)

Force 300-19R integrated description

The Force 300-19R device is a self-contained transceiver unit that houses both radio and networking electronics.

(FCCID: Z8H89FT0048 | IC:109W-0048)

Force 300-19R part numbers

Choose the correct regional variant to adhere to local licensing restrictions.

Each of the parts listed in [Table 52](#) and [Table 53](#) include the following items:



Figure 27: Force 300-19R

- One integrated unit
- One power supply 1000/100 BASE-TX LAN injector
- One line cord

Table 52 Force 300-19R part numbers

Cambium description	Cambium part number
ePMP 5 GHz Force 300-19R SM (FCC) (US cord)	C058900C901A
ePMP 5 GHz Force 300-19R SM (IC) (Canada/US cord)	C050900C901A
ePMP 5 GHz Force 300-19R SM (EU) (EU cord)	C050900C902A
ePMP 5 GHz Force 300-19R SM (EU) (UK cord)	C050900C903A
ePMP 5 GHz Force 300-19R SM (ROW) (no cord)	C050900C904A
ePMP 5 GHz Force 300-19R SM (ROW) (US cord)	C050900C905A
ePMP 5 GHz Force 300-19R SM (ROW) (EU cord)	C050900C906A
ePMP 5 GHz Force 300-19R SM (ROW) (UK cord)	C050900C907A
ePMP 5 GHz Force 300-19R SM (ROW) (India cord)	C050900C908A
ePMP 5 GHz Force 300-19R SM (India) (India cord)	C050900C909A
ePMP 5 GHz Force 300-19R SM (ROW) (China cord)	C050900C910A
ePMP 5 GHz Force 300-19R SM (ROW) (Brazil cord)	C050900C911A
ePMP 5 GHz Force 300-19R SM (ROW) (Argentina cord)	C050900C912A
ePMP 5 GHz Force 300-19R SM (ROW) (ANZ cord)	C050900C913A
ePMP 5 GHz Force 300-19R SM (ROW) (South Africa cord)	C050900C914A
ePMP 5 GHz Force 300-19R SM (ROW) (No PSU)	C050900C915A

Table 53 Force 300-19R accessory part numbers

Cambium description	Cambium part number
PoE Gigabit DC Injector, 15W Output at 30V, Energy Level 6 Supply	N000900L001
CABLE, UL POWER SUPPLY CORD SET, ARGENTINA	N000900L013
CABLE, UL POWER SUPPLY CORD SET, AUS/NZ	N000900L011
CABLE, UL POWER SUPPLY CORD SET, Brazil	N000900L010
CABLE, UL POWER SUPPLY CORD SET, CHINA	N000900L015
CABLE, UL POWER SUPPLY CORD SET, EU	N000900L008
CABLE, UL POWER SUPPLY CORD SET, INDIA	N000900L012
CABLE, UL POWER SUPPLY CORD SET, UK	N000900L009
CABLE, UL POWER SUPPLY CORD SET, US	N000900L007

Force 300-19R mounting bracket

The Force 300-19R module is designed to be pole-mounted using the mounting bracket provided in the box with the radio.

An overview of Force 300-19R mounting bracket is shown in [Figure 28](#)



Figure 28: Force 300-19R module mounting bracket

Force 300-19R interfaces

The Ethernet port is located on the rear of the integrated unit. This interface is described in [Table 54](#).

Table 54 Force 300-19R Series - rear interfaces

Port name	Connector	Interface	Description
Eth	RJ45	PoE input	Power over Ethernet (PoE).
		100/1000BASE-T Ethernet	Data

Force 300-19R specifications


The Force 300-19R integrated module conforms to the specifications listed in [Table 55](#) and [Table 56](#).

The integrated module meets the low-level static discharge specifications identified in [Electromagnetic compatibility \(EMC\) compliance](#) and provides internal surge suppression but does not provide lightning suppression.

Table 55 Force 300-19R physical specifications

Category	Specification
Dimensions	27.8 cm x 27.8 cm x 4.5cm (10.9 in x 10.9 in x 1.8 in)
Weight	1.45 kg (3.2 lbs) (Including mounting bracket)
Antenna Gain	19 dBi

Table 56 Force 300-19R environmental specifications

Category	Specification
Temperature	-30°C (-22°F) to +60°C (140°F)
Wind loading	113 mph (180 kph) maximum. See Force 300-25 wind loading for a full description.
Humidity	95% condensing
Environmental	IP67  Note This product meets the UL/cUL 62368 / IEC 62368 edition 2 specification, and the radio housings are designed to be rain-tight.

Force 300-19R heater

At startup, if the Force 300-19R module temperature is at or below 32°F (0°C), an internal heater is activated to ensure that the device can successfully begin operation. The unit's heater is only activated when the unit is powered on and will not apply heat to the device once the startup is complete. When the unit temperature is greater than 32°F (0°C), the heater is deactivated, and the unit continues its startup sequence.

The effect on device startup time at various temperatures is defined in [Table 57](#).

Table 57 Force 300-19R startup times based on ambient temperature

Initial Temperature	Startup time (from power on to operational)
-22°F (-30°C) H	20 minutes
-4°F (-20°C)	6 minutes
14°F (-10°C)	2 minutes, 30 seconds

Force 300-19R wind loading

Ensure that the device and the structure on which it is mounted are capable of withstanding the prevalent wind speeds at a proposed ePMP site. Wind speed statistics are available from national meteorological offices.

The device and its mounting bracket are capable of withstanding wind speeds of up to 180 kph (113 mph).

Wind blowing on the device will subject the mounting structure to significant lateral force. The magnitude of the force depends on both wind strength and the surface area of the device. Wind loading is estimated using the following formulae:

$$\text{Force (in kilograms)} = 0.1045aV^2$$

Where:	Is:
a	the surface area in square meters
V	wind speed in meters per second

$$\text{Force (in pounds)} = 0.0042Av^2$$

Where:	Is:
A	the surface area in square feet
v	wind speed in miles per hour

Applying these formulae to the ePMP device at different wind speeds, the resulting wind loadings are shown in [Table 58](#)-and [Table 59](#).

Table 58 Force 300-19R wind loading (Kg)

Type of ePMP device	Largest surface area (square meters)	Wind speed (meters per second)		
		40	50	60
Force 300-19 Integrated	0.08	13.4Kg	20.9Kg	30.1Kg

Table 59 Force 300-19R wind loading (lb)

Type of ePMP device	Largest surface area (square feet)	Wind speed (miles per hour)		
		80	100	120
Force 300-19 Integrated	0.8281	22.3 lb	34.8 lb	50.1 lb

Force 300-19R software packages

Force 300-19R devices may be upgraded by downloading new software packages from the Cambium Networks website or by using cnMaestro. The software packages applicable to ePMP integrated radios are named:

- ePMP-AC-v4.5-GA.img (or higher version number)

Force 300-16

For details of the Force 300-16 hardware, see:

- [Force 300-16 integrated description](#)
- [Force 300-16 part numbers](#)
- [Force 300-16 interfaces](#)
- [Force 300-16 specifications](#)
- [Force 300-16 heater](#)
- [Force 300-16 wind loading](#)
- [Force 300-16 software packages](#)

Force 300-16 integrated description

The Force 300-16 device is a self-contained transceiver unit that houses both radio and networking electronics.

An overview of Force 300-16 is shown in [Figure 29](#).



Figure 29: Force 300-16 Integrated

Force 300-16 part numbers

Choose the correct regional variant to adhere to local licensing restrictions.

Each of the parts listed in [Table 60](#) and [Table 61](#) include the following items:

- One integrated unit
- One power supply 1000/100 BASE-TX LAN injector
- One line cord

Table 60 Force 300-16 part numbers

Cambium description	Cambium part number
ePMP 5 GHz Force 300-16 Radio (FCC) (US cord)	C058910C112A
ePMP 5 GHz Force 300-16 Radio (IC) (Canada/US cord)	C050910C114A
ePMP 5 GHz Force 300-16 Radio (EU) (EU cord)	C050910C213A
ePMP 5 GHz Force 300-16 Radio (EU) (UK cord)	C050910C313A
ePMP 5 GHz Force 300-16 Radio (ROW) (no cord)	C050910C011A
ePMP 5 GHz Force 300-16 Radio (ROW) (US cord)	C050910C111A
ePMP 5 GHz Force 300-16 Radio (ROW) (EU cord)	C050910C211A
ePMP 5 GHz Force 300-16 Radio (ROW) (UK cord)	C050910C311A
ePMP 5 GHz Force 300-16 Radio (ROW) (India cord)	C050910C411A
ePMP 5 GHz Force 300-16 Radio (India) (India cord)	C050910C412A
ePMP 5 GHz Force 300-16 Radio (ROW) (China cord)	C050910C511A
ePMP 5 GHz Force 300-16 Radio (ROW) (Brazil cord)	C050910C611A
ePMP 5 GHz Force 300-16 Radio (ROW) (Argentina cord)	C050910C711A
ePMP 5 GHz Force 300-16 Radio (ROW) (ANZ cord)	C050910C811A
ePMP 5 GHz Force 300-16 Radio (ROW) (South Africa cord)	C050910C911A
ePMP 5 GHz Force 300-16 Radio (ROW) (No PSU)	C050910CZ11A


Table 61 Force 300-16 accessory part numbers

Cambium description	Cambium part number
PoE Gigabit DC Injector, 15W Output at 30V, Energy Level 6 Supply	N000900L001
CABLE, UL POWER SUPPLY CORD SET, ARGENTINA	N000900L013
CABLE, UL POWER SUPPLY CORD SET, AUS/NZ	N000900L011
CABLE, UL POWER SUPPLY CORD SET, Brazil	N000900L010
CABLE, UL POWER SUPPLY CORD SET, CHINA	N000900L015
CABLE, UL POWER SUPPLY CORD SET, EU	N000900L008
CABLE, UL POWER SUPPLY CORD SET, INDIA	N000900L012
CABLE, UL POWER SUPPLY CORD SET, UK	N000900L009
CABLE, UL POWER SUPPLY CORD SET, US	N000900L007

Force 300-16 interfaces

The Ethernet port is located on the rear of the integrated unit.

Table 62 Force 300-16 Series – rear interfaces

Port name	Connector	Interface	Description
Eth	RJ45	PoE input	Power over Ethernet (PoE). 
		100/1000BASE-T Ethernet	Data

Note
All RJ45 Ethernet LAN cables used for providing power or are connected to power ports (PoE) must be UL certified with VW-1 markings.

Force 300-16 specifications


The Force 300-16 integrated module conforms to the specifications listed in [Table 63](#) and [Table 64](#).

The integrated module meets the low-level static discharge specifications identified in [Electromagnetic compatibility \(EMC\) compliance](#) and provides internal surge suppression but does not provide lightning suppression.

Table 63 Force 300-16 physical specifications

Category	Specification
Dimensions (Diameter x Depth)	12.4 cm x 25.1 cm x 11.9 cm (4.9 in x 9.9 in x 4.7 in) – with mounting bracket
Weight	0.5 kg (1.1 lbs) – with mounting bracket

Table 64 Force 300-16 environmental specifications

Category	Specification
Temperature	-30°C (-22°F) to +60°C (140°F)
Wind loading	112 mph (180 kph) maximum. See Force 300-16 wind loading for a full description.
Environmental	IP55 

Note
This product meets the UL/cUL 62368 / IEC 62368 edition 2 specification, and the radio housings are designed to be rain-tight.

Force 300-16 heater

At startup, if the Force 300-16 module temperature is at or below 32°F (0°C), an internal heater is activated to ensure that the device can successfully begin operation. The unit’s heater is only activated when the unit is powered on and will not apply heat to the device once the startup is complete. When the unit temperature is greater than 32°F (0°C), the heater is deactivated, and the unit continues its startup sequence.

The effect on device startup time at various temperatures is defined in [Table 65](#).

Table 65 Force 300-16 startup times based on ambient temperature

Initial Temperature	Startup time (from power on to operational)
-22°F (-30°C) H	20 minutes
-4°F (-20°C)	6 minutes
14°F (-10°C)	2 minutes, 30 seconds

Force 300-16 wind loading

Ensure that the device and the structure on which it is mounted are capable of withstanding the prevalent wind speeds at a proposed ePMP site. Wind speed statistics are available from national meteorological offices.

The device and its mounting bracket are capable of withstanding wind speeds of up to 180 kph (124 mph).

Wind blowing on the device will subject the mounting structure to significant lateral force. The magnitude of the force depends on both wind strength and the surface area of the device. Wind loading is estimated using the following formulae:

$$\text{Force (in kilograms)} = 0.1045aV^2$$

Where:	Is:
a	the surface area in square meters
V	wind speed in meters per second

$$\text{Force (in pounds)} = 0.0042Av^2$$

Where:	Is:
A	the surface area in square feet
v	wind speed in miles per hour

Applying these formulae to the ePMP device at different wind speeds, the resulting wind loadings are shown in [Table 66](#) and [Table 67](#).

Table 66 Force 300-16 wind loading (Kg)

Type of ePMP device	Largest surface area (square meters)	Wind speed (meters per second)		
		30	40	50
Force 300-16 Integrated	0.03	2.8 Kg	5 Kg	7.8 Kg

Table 67 Force 300-16 wind loading (lb)

Type of ePMP device	Largest surface area (square feet)	Wind speed (miles per hour)		
		80	100	120
Force 300-16 Integrated	0.34	9.1 lb	14.3 lb	20.6 lb

Force 300-16 software packages

Force 300-16 devices may be upgraded by downloading new software packages from the Cambium Networks website or by using cnMaestro. The software packages applicable to ePMP integrated radios are named:

- ePMP-AC-v4.5-GA.img (or higher version number)

Force 300-13

For details of the Force 300-13 hardware, see:

- [Force 300-13 integrated description](#)
- [Force 300-13 part numbers](#)
- [Force 300-13 interfaces](#)
- [Force 300-13 specifications](#)
- [Force 300-13 heater](#)
- [Force 300-13 wind loading](#)
- [Force 300-13 software packages](#)

Force 300-13 integrated description

The Force 300-13 device is a self-contained transceiver unit that houses both radio and networking electronics.

(FCCID:Z8H89FT0048 | IC:109W-0048).

An overview of Force 300-13 is shown in [Figure 30](#).



Figure 30: Force 300-13 Integrated radio

Force 300-13 part numbers

Choose the correct regional variant to adhere to local licensing restrictions.

Each of the parts listed in [Table 68](#) and [Table 69](#) include the following items:

- One integrated unit
- One power supply 1000/100 BASE-TX LAN injector
- One line cord

Table 68 Force 300-13 part numbers

Cambium description	Cambium part number
ePMP 5GHz Force 300-13 SM (FCC) (US cord)	C058900C701A
ePMP 5GHz Force 300-13 SM (IC) (Canada/US cord)	C050900C701A
ePMP 5GHz Force 300-13 SM (EU) (EU cord)	C050900C702A
ePMP 5GHz Force 300-13 SM (EU) (UK cord)	C050900C703A
ePMP 5GHz Force 300-13 SM (ROW) (no cord)	C050900C704A
ePMP 5GHz Force 300-13 SM (ROW) (US cord)	C050900C705A
ePMP 5GHz Force 300-13 SM (ROW) (EU cord)	C050900C706A
ePMP 5GHz Force 300-13 SM (ROW) (UK cord)	C050900C707A
ePMP 5GHz Force 300-13 SM (ROW) (India cord)	C050900C708A
ePMP 5GHz Force 300-13 SM (India) (India cord)	C050900C709A
ePMP 5GHz Force 300-13 SM (ROW) (China cord)	C050900C710A
ePMP 5GHz Force 300-13 SM (ROW) (Brazil cord)	C050900C711A
ePMP 5GHz Force 300-13 SM (ROW) (Argentina cord)	C050900C712A
ePMP 5GHz Force 300-13 SM (ROW) (ANZ cord)	C050900C713A
ePMP 5GHz Force 300-13 SM (ROW) (South Africa cord)	C050900C714A
ePMP 5GHz Force 300-13 SM (ROW) (No PSU)	C050900C715A

Table 69 Force 300-13 accessory part numbers


Cambium description	Cambium part number
PoE Gigabit DC Injector, 15W Output at 30V, Energy Level 6 Supply	N000900L001
CABLE, UL POWER SUPPLY CORD SET, ARGENTINA	N000900L013
CABLE, UL POWER SUPPLY CORD SET, AUS/NZ	N000900L011
CABLE, UL POWER SUPPLY CORD SET, Brazil	N000900L010

Cambium description	Cambium part number
CABLE, UL POWER SUPPLY CORD SET, CHINA	N000900L015
CABLE, UL POWER SUPPLY CORD SET, EU	N000900L008
CABLE, UL POWER SUPPLY CORD SET, INDIA	N000900L012
CABLE, UL POWER SUPPLY CORD SET, UK	N000900L009
CABLE, UL POWER SUPPLY CORD SET, US	N000900L007

Force 300-13 interfaces

The Ethernet port is located on the rear of the integrated unit.

Table 70 Force 300-13 Series – rear interfaces

Port name	Connector	Interface	Description
Eth	RJ45	PoE input	Power over Ethernet (PoE). 
		100/1000BASE-T Ethernet	Data

Note
All RJ45 Ethernet LAN cables used for providing power or are connected to power ports (PoE) must be UL certified with VW-1 markings.

Force 300-13 specifications


The Force 300-13 integrated module conforms to the specifications listed in [Table 71](#) and [Table 72](#).

The integrated module meets the low-level static discharge specifications identified in [Electromagnetic compatibility \(EMC\) compliance](#) and provides internal surge suppression but does not provide lightning suppression.

Table 71 Force 300-13 physical specifications

Category	Specification
Dimensions (Diameter x Depth)	12.4 cm x 25.1 cm x 11.9 cm (4.9 in x 9.9 in x 4.7 in) – with mounting bracket
Weight	0.5 kg (1.1 lbs) – with mounting bracket
Antenna Gain	13 dBi

Table 72 Force 300-13 environmental specifications

Category	Specification
Temperature	-30°C (-22°F) to +60°C (140°F)
Wind loading	112 mph (180 kph) maximum. See Force 300-16 wind loading for a full description.
Environmental	IP55  <div style="border: 1px solid black; padding: 5px; margin-top: 10px;"> <p>Note</p> <p>This product meets the UL/cUL 62368 / IEC 62368 edition 2 specification, and the radio housings are designed to be rain-tight.</p> </div>

Force 300-13 heater

At startup, if the Force 300-13 module temperature is at or below 32°F (0°C), an internal heater is activated to ensure that the device can successfully begin operation. The unit's heater is only activated when the unit is powered on and will not apply heat to the device once the startup is complete. When the unit temperature is greater than 32°F (0°C), the heater is deactivated, and the unit continues its startup sequence.

The effect on device startup time at various temperatures is defined in [Table 73](#).

Table 73 Force 300-13 startup times based on ambient temperature

Initial Temperature	Startup time (from power on to operational)
-22°F (-30°C) H	20 minutes
-4°F (-20°C)	6 minutes
14°F (-10°C)	2 minutes, 30 seconds

Force 300-13 wind loading

Ensure that the device and the structure on which it is mounted are capable of withstanding the prevalent wind speeds at a proposed ePMP site. Wind speed statistics are available from national meteorological offices.

The device and its mounting bracket are capable of withstanding wind speeds of up to 180 kph (124 mph).

Wind blowing on the device will subject the mounting structure to significant lateral force. The magnitude of the force depends on both wind strength and the surface area of the device. Wind loading is estimated using the following formulae:

$$\text{Force (in kilograms)} = 0.1045aV^2$$

Where:	Is:
a	the surface area in square meters
V	wind speed in meters per second

$$\text{Force (in pounds)} = 0.0042Av^2$$

Where:	Is:
A	the surface area in square feet
v	wind speed in miles per hour

Applying these formulae to the ePMP device at different wind speeds, the resulting wind loadings are shown in [Table 74](#) and [Table 75](#).

Table 74 Force 300-13 wind loading (Kg)

Type of ePMP device	Largest surface area (square meters)	Wind speed (meters per second)		
		30	40	50
Force 300-13 Integrated	0.03	2.82 Kg	5.02 Kg	7.84 Kg

Table 75 Force 300-13 wind loading (lb)

Type of ePMP device	Largest surface area (square feet)	Wind speed (miles per hour)		
		80	100	120
Force 300-13 Integrated	0.28	7.53 lb	11.76 lb	16.93 lb

Force 300-13 software packages

Force 300-16 devices may be upgraded by downloading new software packages from the Cambium Networks website or by using cnMaestro. The software packages applicable to ePMP integrated radios are named:

- ePMP-AC-v4.5-GA.img (or higher version number)

Force 300-13L

For details of the Force 300-13L hardware, see:

- [Force 300-13L integrated description](#)
- [Force 300-13L part numbers](#)
- [Force 300-13L interfaces](#)
- [Force 300-13L specifications](#)
- [Force 300-13L wind loading](#)
- [Force 300-13L LEDs](#)
- [Force 300-13L software packages](#)

Force 300-13L integrated description

The Force 300-13L device is a self-contained transceiver unit that houses both radio and networking electronics. The Force 300-13L uses 802.11ac technology and supports MU-MIMO and other features offered by the ePMP 3000 and ePMP 3000L APs. It is also backward compatible with the ePMP 2000 using backward compatibility features.

An overview of Force 300-13L is shown in [Figure 31](#).



Figure 31: Force 300-13L Integrated

Force 300-13L part numbers

Choose the correct regional variant to adhere to local licensing restrictions.

Each of the parts listed in [Table 76](#) and [Table 77](#) include the following items:

- One integrated unit
- One power supply 1000/100 BASE-TX LAN injector
- One-line cord

Table 76Force 300-13L part numbers

Cambium description	Cambium part number
ePMP 5 GHz Force 300-13L SM (ROW) (no cord)	C050910C031A
ePMP 5 GHz Force 300-13L SM (ROW) (US cord)	C050910C131A
ePMP 5 GHz Force 300-13L SM (ROW) (EU cord)	C050910C231A
ePMP 5 GHz Force 300-13L SM (EU) (EU cord)	C050910C233A
ePMP 5 GHz Force 300-13L SM (ROW) (UK cord)	C050910C331A
ePMP 5 GHz Force 300-13L SM (EU) (UK cord)	C050910C333A
ePMP 5 GHz Force 300-13L SM (ROW) (India cord)	C050910C431A
ePMP 5 GHz Force 300-13L SM (India) (India Cord)	C050910C432A
ePMP 5 GHz Force 300-13L SM (ROW) (China cord)	C050910C531A

Cambium description	Cambium part number
ePMP 5 GHz Force 300-13L SM (ROW) (Brazil cord)	C050910C631A
ePMP 5 GHz Force 300-13L SM (ROW) (Argentina cord)	C050910C731A
ePMP 5 GHz Force 300-13L SM (ROW) (ANZ cord)	C050910C831A
ePMP 5 GHz Force 300-13L SM (ROW) (South Africa cord)	C050910C931A
ePMP 5 GHz Force 300-13L SM (ROW) (No PSU)	C050910CZ31A

Table 77 Force 300-13L accessory part numbers

Cambium description	Cambium part number
PoE Gigabit DC Injector, 15W Output at 30V, Energy Level 6 Supply	N000900L001
CABLE, UL POWER SUPPLY CORD SET, ARGENTINA	N000900L013
CABLE, UL POWER SUPPLY CORD SET, AUS/NZ	N000900L011
CABLE, UL POWER SUPPLY CORD SET, Brazil	N000900L010
CABLE, UL POWER SUPPLY CORD SET, CHINA	N000900L015
CABLE, UL POWER SUPPLY CORD SET, EU	N000900L008
CABLE, UL POWER SUPPLY CORD SET, INDIA	N000900L012
CABLE, UL POWER SUPPLY CORD SET, UK	N000900L009
CABLE, UL POWER SUPPLY CORD SET, US	N000900L007

Force 300-13L interfaces

The Ethernet port is located on the rear of the integrated unit.

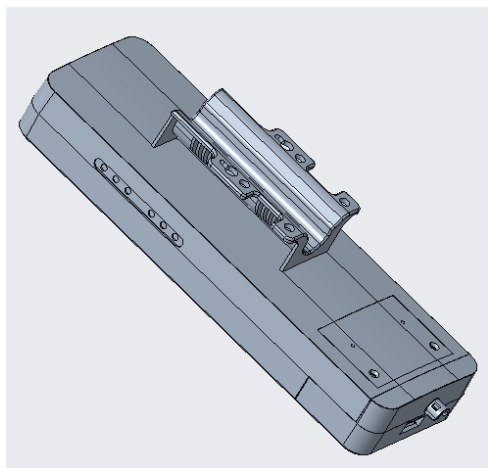


Figure 32: Rear Interfaces

Table 78 Force 300-13L Series – rear interfaces

Port name	Connector	Interface	Description
Ethernet	RJ45	24V PoE input	10/100 BASE-T
		100 BASE-TX Ethernet	Management and data
Reset Button	Physical button	N/A	For resetting the radio and for setting the radio back to its factory default configuration. See Using the device external reset button .

Force 300-13L specifications


The Force 300-13L integrated module conforms to the specifications listed in [Table 79](#) and [Table 80](#).

The integrated module meets the low-level static discharge specifications identified in [Electromagnetic compatibility \(EMC\) compliance](#) and provides internal surge suppression but does not provide lightning suppression.

Table 79 Force 300-13L physical specifications

Category	Specification
Dimensions (Diameter x Depth)	235 x 77 x 58 mm
Weight	0.35 kg (0.88 lbs)
Antenna Gain	13 dBi

Table 80 Force 300-13L environmental specifications

Category	Specification
Temperature	-30°C to +55°C (-22°F to +122°F)
Wind loading	125 km/hour (78 mi/hour)
Environmental	IP55  <div style="border: 1px solid black; background-color: #e1f5fe; padding: 5px; margin-top: 10px;"> <p>Note</p> <p>This product meets the UL/cUL 62368 / IEC 62368 edition 2 specification, and the radio housings are designed to be raintight.</p> </div>

Force 300-13L wind loading









Ensure that the device and the structure on which it is mounted are capable of withstanding the prevalent wind speeds at a proposed ePMP site. Wind speed statistics are available from national meteorological offices.

The device and its mounting bracket are capable of withstanding wind speeds of up to 125 kph (78 mph).

Wind blowing on the device will subject the mounting structure to significant lateral force. The magnitude of the force depends on both wind strength and surface area.

Force 300-13L LEDs

Table 81 Force 300-13L LED Functions

	LED	Function		
	POWER	Green: Power is applied to the device Unlit: No power is applied to the device or improper power source		
	WiFi	XXX		
	LAN	XXX		
	RF SIGNAL	 Radio scanning: LEDs light in an ascending sequence to indicate that the radio is scanning Radio registered: LEDs light to indicate the RSSI level at the device.		
	 RSSI > -60 dBm		 -70 dBm  < RSSI ≤ -60 dBm	 -80 dBm  < RSSI ≤ -70 dBm

Force 300-13L software packages

Force 300-13L devices may be upgraded by downloading new software packages from the Cambium Networks website or by using cnMaestro. The software packages applicable to ePMP integrated radios are named:

- ePMP- NonGPS_Synced-[version].tar.gz (or higher version number)

Force 300 CSM

For details of the Force 300 CSM hardware, see:

- [Force 300 CSM Connectorized Subscriber Module description](#)
- [Force 300 CSM part numbers](#)
- [Force 300 CSM interfaces](#)
- [Force 300 CSM specifications](#)

- [Force 300 CSM heater](#)
- [Force 300 CSM wind loading](#)
- [Force 300 CSM software packages](#)

Force 300 CSM Connectorized Subscriber Module description

The Force 300 CSM device is a connectorized Subscriber Module transceiver unit that houses both radio and networking electronics.

An overview of Force 300 CSM is shown in [Figure 33](#).



Figure 33: Force 300 CSM

Force 300 CSM part numbers

Choose the correct regional variant to adhere to local licensing restrictions.

Each of the parts listed in [Table 82](#) and [Table 83](#) includes the following items:

- One integrated unit
- One power supply 1000/100 BASE-TX LAN injector
- One line cord

Table 82 Force 300 CSM part numbers

Cambium description	Cambium part number
ePMP 5 GHz Force 300 CSM SM (FCC) (US cord)	C058910C122A
ePMP 5 GHz Force 300 CSM SM (IC) (Canada/US cord)	C050910C124A
ePMP 5 GHz Force 300 CSM SM (EU) (EU cord)	C050910C223A
ePMP 5 GHz Force 300 CSM SM (EU) (UK cord)	C050910C323A

Cambium description	Cambium part number
ePMP 5 GHz Force 300 CSM SM (ROW) (no cord)	C050910C021A
ePMP 5 GHz Force 300 CSM SM (ROW) (US cord)	C050910C121A
ePMP 5 GHz Force 300 CSM SM (ROW) (EU cord)	C050910C221A
ePMP 5 GHz Force 300 CSM SM (ROW) (UK cord)	C050910C321A
ePMP 5 GHz Force 300 CSM SM (ROW) (India cord)	C050910C421A
ePMP 5 GHz Force 300 CSM SM (India) (India cord)	C050910C422A
ePMP 5 GHz Force 300 CSM SM (ROW) (China cord)	C050910C521A
ePMP 5 GHz Force 300 CSM SM (ROW) (Brazil cord)	C050910C621A
ePMP 5 GHz Force 300 CSM SM (ROW) (Argentina cord)	C050910C721A
ePMP 5 GHz Force 300 CSM SM (ROW) (ANZ cord)	C050910C821A
ePMP 5 GHz Force 300 CSM SM (ROW) (South Africa cord)	C050910C921A
ePMP 5 GHz Force 300 CSM SM (ROW) (No PSU)	C050910CZ21A

Table 83 Force 300 CSM accessory part numbers


Cambium description	Cambium part number
PoE Gigabit DC Injector, 15W Output at 30V, Energy Level 6 Supply	N000900L001
CABLE, UL POWER SUPPLY CORD SET, ARGENTINA	N000900L013
CABLE, UL POWER SUPPLY CORD SET, AUS/NZ	N000900L011
CABLE, UL POWER SUPPLY CORD SET, Brazil	N000900L010
CABLE, UL POWER SUPPLY CORD SET, CHINA	N000900L015
CABLE, UL POWER SUPPLY CORD SET, EU	N000900L008
CABLE, UL POWER SUPPLY CORD SET, INDIA	N000900L012
CABLE, UL POWER SUPPLY CORD SET, UK	N000900L009
CABLE, UL POWER SUPPLY CORD SET, US	N000900L007

Force 300 CSM interfaces

The Ethernet port is located on the rear of the unit.

Table 84 Force 300 CSM Series - rear interfaces

Port name	Connector	Interface	Description
Eth	RJ45	PoE input	Power over Ethernet (PoE).

Port name	Connector	Interface	Description
			 <div style="border: 1px solid black; background-color: #e1f5fe; padding: 5px; margin-top: 5px;"> <p>Note</p> <p>All RJ45 Ethernet LAN cables used for providing power or are connected to power ports (PoE) must be UL certified with VW-1 markings.</p> </div>
		100/1000BASE-T Ethernet	Data

Force 300 CSM specifications


The Force 300 CSM connectorized module conforms to the specifications listed in [Table 85](#) and [Table 86](#).

The module meets the low-level static discharge specifications identified in [Electromagnetic compatibility \(EMC\) compliance](#) and provides internal surge suppression but does not provide lightning suppression.

Table 85 Force 300 CSM physical specifications

Category	Specification
Dimensions (Diameter x Depth)	220mm x 80mm x 25mm (8.7in x 3.15in x 1.0in)
Weight	0.5 kg (1.1 lbs) – with mounting bracket

Table 86 Force 300 CSM environmental specifications

Category	Specification
Temperature	-30°C (-22°F) to +60C (140°F)
Wind loading	112 mph (180 kph) maximum. See Force 300-16 wind loading for a full description.
Environmental	IP67  <div style="border: 1px solid black; background-color: #e1f5fe; padding: 5px; margin-top: 5px;"> <p>Note</p> <p>This product meets the UL/cUL 62368 / IEC 62368 edition 2 specification, and the radio housings are designed to be rain-tight.</p> </div>

Force 300 CSM heater

At startup, if the Force 300 CSM module temperature is at or below 32°F (0°C), an internal heater is activated to ensure that the device can successfully begin operation. The unit's heater is only activated when the unit is powered on and will not apply heat to the device once the startup is complete. When the unit temperature is greater than 32°F (0°C), the heater is deactivated, and the unit continues its startup sequence.

The effect on device startup time at various temperatures is defined in [Table 87](#).

Table 87 Force 300 CSM startup times based on ambient temperature

Initial Temperature	Startup time (from power on to operational)
-22°F (-30°C) H	20 minutes
-4°F (-20°C)	6 minutes
14°F (-10°C)	2 minutes, 30 seconds

Force 300 CSM wind loading

Ensure that the device and the structure on which it is mounted can withstand the prevalent wind speeds at a proposed ePMP site. Wind speed statistics are available from national meteorological offices.

The device and its mounting bracket are capable of withstanding wind speeds of up to 180 kph (124 mph).

Wind blowing on the device will subject the mounting structure to significant lateral force. The magnitude of the force depends on both wind strength and the surface area of the device. Wind loading is estimated using the following formulae:

$$\text{Force (in kilograms)} = 0.1045aV^2$$

Where:	Is:
a	the surface area in square meters
V	wind speed in meters per second

$$\text{Force (in pounds)} = 0.0042Av^2$$

Where:	Is:
A	the surface area in square feet
v	wind speed in miles per hour

Applying these formulae to the ePMP device at different wind speeds, the resulting wind loadings are shown in [Table 88](#) and [Table 89](#).

Table 88 Force 300 CSM wind loading (Kg)

Type of ePMP device	Largest surface area (square meters)	Wind speed (meters per second)		
		30	40	50
Force 300 CSM Connectorized	0.03	2.82 Kg	5.02 Kg	7.84 Kg

Table 89 Force 300 CSM wind loading (lb)

Type of ePMP device	Largest surface area (square feet)	Wind speed (miles per hour)		
		80	100	120
Force 300 CSM Connectorized	0.28	7.53 lb	11.76 lb	16.93 lb

Force 300 CSM software packages

The Force 300 CSM devices may be upgraded by downloading new software packages from the Cambium Networks website or by using cnMaestro. The software packages applicable to ePMP integrated radios are named:

- ePMP-AC-v4.5-GA.img (or higher version number)

Force 300 CSML

For details of the Force 300 CSML hardware, see:

- [Force 300 CSML description](#)
- [Force 300 CSML part numbers](#)
- [Force 300 CSML interfaces](#)
- [Force 300 CSML mounting bracket](#)
- [Force 300 CSML specifications](#)
- [Force 300 CSML wind loading](#)
- [Force 300 CSML LEDs](#)
- [Force 300 CSML software packages](#)

Force 300 CSML description

The Force 300 CSML device is a self-contained transceiver unit that houses both radio and networking electronics. The Force 300 CSML uses 802.11ac technology and supports MU-MIMO and other features offered by the ePMP 3000 and ePMP 3000L APs. It is also backward compatible with the ePMP 2000 using backward compatibility features.

An overview of Force 300 CSML is shown in [Figure 34](#).



Figure 34: Force 300 CSML

Force 300 CSML part numbers

Choose the correct regional variant to adhere to local licensing restrictions.

Each of the parts listed in [Table 90](#) and [Table 91](#) include the following items:

- One Connectorized unit
- One power supply 1000/100 BASE-TX LAN injector
- One-line cord

Table 90 Force 300 CSML part numbers

Cambium description	Cambium part number
ePMP 5 GHz Force 300 CSML SM (ROW) (no cord)	C050910C061A
ePMP 5 GHz Force 300 CSML SM (ROW) (US cord)	C050910C161A
ePMP 5 GHz Force 300 CSML SM (ROW) (EU cord)	C050910C261A
ePMP 5 GHz Force 300 CSML SM (EU) (EU cord)	C050910C263A
ePMP 5 GHz Force 300 CSML SM (ROW) (UK cord)	C050910C361A
ePMP 5 GHz Force 300 CSML SM (EU) (UK cord)	C050910C363A
ePMP 5 GHz Force 300 CSML SM (ROW) (India cord)	C050910C461A
ePMP 5 GHz Force 300 CSML SM (India) (India Cord)	C050910C462A
ePMP 5 GHz Force 300 CSML SM (ROW) (China cord)	C050910C561A
ePMP 5 GHz Force 300 CSML SM (ROW) (Brazil cord)	C050910C661A
ePMP 5 GHz Force 300 CSML SM (ROW) (Argentina cord)	C050910C761A
ePMP 5 GHz Force 300 CSML SM Bulk Packaging (ROW) (ANZ cord)	C050910C861A
ePMP 5 GHz Force 300 CSML SM (ROW) (South Africa cord)	C050910C961A
ePMP 5 GHz Force 300 CSML SM (ROW) (No PSU)	C050910CZ61A

Table 91 Force 300 CSML accessories part numbers

Cambium description	Cambium part number
PoE Gigabit DC Injector, 15W Output at 30V, Energy Level 6 Supply	N000900L001
CABLE, UL POWER SUPPLY CORD SET, ARGENTINA	N000900L013
CABLE, UL POWER SUPPLY CORD SET, AUS/NZ	N000900L011
CABLE, UL POWER SUPPLY CORD SET, Brazil	N000900L010
CABLE, UL POWER SUPPLY CORD SET, CHINA	N000900L015
CABLE, UL POWER SUPPLY CORD SET, EU	N000900L008

Force 300 CSML interfaces

The Ethernet port is located on the rear of the connectorized unit.



Figure 35: Rear interfaces

Table 92 Force 300 CSML Series – Rear interfaces

Port name	Connector	Interface	Description
Ethernet	RJ45	24V PoE input	10/100BASE-T
		100 BASE-TX Ethernet	Management and data
Reset Button	Physical button	N/A	For resetting the radio and for setting the radio back to its factory default configuration.

Force 300 CSML mounting bracket

The Force 300 CSML module is designed to be pole-mounted using the mounting bracket provided in the box with the radio.

An overview of Force 300 CSML mounting bracket is shown in [Figure 36](#).



Figure 36: Force 300 CSML module mounting bracket


Force 300 CSML specifications

The Force 300 CSML module conforms to the specifications listed in [Table 93](#) and [Table 94](#). The connectorized module meets the low-level static discharge specifications identified in [Electromagnetic compatibility \(EMC\) compliance](#) and provides internal surge suppression but does not provide lightning suppression.

Table 93 Force 300 CSML physical specifications

Category	Specification
Dimensions (Diameter x Depth)	227 x 88 x 33 mm
Weight	0.521 kg (1.15 lbs) without antenna

Table 94 Force 300 CSML environmental specifications

Category	Specification
Temperature	-30°C to +55°C (-22°F to +122°F)
Wind loading	125 km/hour (78 mi/hour)
Environmental	IP55 

Note
This product meets the UL/cUL 62368 / IEC 62368 edition 2 specification, and the radio housings are designed to be rain-tight.

Force 300 CSML wind loading






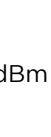
Ensure that the device and the structure on which it is mounted are capable of withstanding the prevalent wind speeds at a proposed ePMP site. Wind speed statistics are available from national meteorological offices.

The device and its mounting brackets are capable of withstanding wind speeds of up to 125 kph (78 mph).

Wind blowing on the device will subject the mounting structure to significant lateral force. The magnitude of the force depends on both wind strength and surface area.

Force 300 CSML LEDs

Table 95 Force 300 CSML LED functions

	LED	Function			
	POWER	Green: Power is applied to the device Unlit: No power is applied to the device or improper power source			
	WiFi	XXX			
	LAN	XXX			
	RF SIGNAL	Radio scanning: LEDs light in an ascending sequence to indicate that the radio is scanning Radio registered: LEDs light to indicate the RSSI level at the device.			
	RSSI				
> -60 dBm	-70 dBm	< RSSI ≤ -60 dBm	-80 dBm	< RSSI ≤ -70 dBm	RSSI ≤ -80 dBm

Force 300 CSML software packages

Force 300 CSML devices may be upgraded by downloading new software packages from the Cambium Networks website or by using cnMaestro. The software packages applicable to ePMP integrated radios are named:

- ePMP-AC-F300-[Radio Model]-[version].tar.gz (or higher version number)

ePMP MP3000 MicroPoP

For details of the Force 300 CSM hardware, see:

- [ePMP MP 3000 integrated description](#)
- [ePMP MP 3000 part numbers](#)
- [ePMP MP 3000 interfaces](#)
- [ePMP MP 3000 specifications](#)
- [ePMP MP 3000 heater](#)

- [ePMP MP 3000 wind loading](#)
- [ePMP MP 3000 software packages](#)

ePMP MP 3000 integrated description

The ePMP MP 3000 MicroPoP is an integrated AP designed to serve short-range, low-density applications. It uses 802.11ac 2x2 architecture and can interoperate with a Force 300 subscriber module.

An overview of ePMP MP 3000 is shown in [Figure 37](#).



Figure 37: ePMP MP 3000 Integrated

ePMP MP 3000 part numbers

Choose the correct regional variant to adhere to local licensing restrictions.

Each of the parts listed in [Table 96](#) and [Table 97](#) includes the following items:

- One integrated unit
- One power supply 1000/100 BASE-TX LAN injector
- One line cord

Table 96 ePMP MP 3000 part numbers

Cambium description	Cambium part number
ePMP 5 GHz MP 3000 MicroPOP Radio (ROW) (no cord)	C050910A031A
ePMP 5 GHz MP 3000 MicroPOP Radio (ROW) (US cord)	C050910A131A
ePMP 5 GHz MP 3000 MicroPOP Radio (IC) (Canada/US cord)	C058910A134A
ePMP 5 GHz MP 3000 MicroPOP Radio (ROW) (EU cord)	C050910A231A
ePMP 5 GHz MP 3000 MicroPOP Radio (EU) (EU cord)	C050910A233A
ePMP 5 GHz MP 3000 MicroPOP Radio (ROW) (UK cord)	C050910A331A

Cambium description	Cambium part number
ePMP 5 GHz MP 3000 MicroPOP Radio (EU) (UK cord)	C050910A333A
ePMP 5 GHz MP 3000 MicroPOP Radio (ROW) (India cord)	C050910A431A
ePMP 5 GHz MP 3000 MicroPOP Radio (India) (India Cord)	C050910A432A
ePMP 5 GHz MP 3000 MicroPOP Radio (ROW) (China cord)	C050910A531A
ePMP 5 GHz MP 3000 MicroPOP Radio (ROW) (Brazil cord)	C050910A631A
ePMP 5 GHz MP 3000 MicroPOP Radio (ROW) (Argentina cord)	C050910A731A
ePMP 5 GHz MP 3000 MicroPOP Radio (ROW) (ANZ cord)	C050910A831A
ePMP 5 GHz MP 3000 MicroPOP Radio (ROW) (South Africa cord)	C050910A931A
ePMP 5 GHz MP 3000 MicroPOP Radio (ROW) (No PSU)	C050910AZ31A
ePMP 5 GHz MP 3000 MicroPOP Radio (FCC) (US cord)	C058910A132A


Table 97 ePMP MP 3000 accessory part numbers

Cambium description	Cambium part number
PoE Gigabit DC Injector, 15W Output at 30V, Energy Level 6 Supply	N000900L001
CABLE, UL POWER SUPPLY CORD SET, ARGENTINA	N000900L013
CABLE, UL POWER SUPPLY CORD SET, AUS/NZ	N000900L011
CABLE, UL POWER SUPPLY CORD SET, Brazil	N000900L010
CABLE, UL POWER SUPPLY CORD SET, CHINA	N000900L015
CABLE, UL POWER SUPPLY CORD SET, EU	N000900L008
CABLE, UL POWER SUPPLY CORD SET, INDIA	N000900L012
CABLE, UL POWER SUPPLY CORD SET, UK	N000900L009
CABLE, UL POWER SUPPLY CORD SET, US	N000900L007

ePMP MP 3000 interfaces

The Ethernet port is located on the rear of the integrated unit.

Table 98 ePMP MP 3000 – rear interfaces

Port name	Connector	Interface	Description
Eth	RJ45	PoE input	Power over Ethernet (PoE).
			 <div style="background-color: #e1f5fe; padding: 5px; display: inline-block;"> Note </div>

Port name	Connector	Interface	Description
			All RJ45 Ethernet LAN cables used for providing power or are connected to power ports (PoE) must be UL certified with VW-1 markings.
		100/1000BASE-T Ethernet	Data


ePMP MP 3000 specifications

The ePMP MP 3000 integrated module conforms to the specifications listed in [Table 99](#) and [Table 100](#). The integrated module meets the low-level static discharge specifications identified in [Electromagnetic compatibility \(EMC\) compliance](#) and provides internal surge suppression but does not provide lightning suppression.

Table 99 ePMP MP 3000 physical specifications

Category	Specification
Dimensions (Diameter x Depth)	220mm x 80mm x 25mm (8.7in x 3.15in x 1.0in)
Weight	0.5 kg (1.1 lbs) – with mounting bracket
Antenna	Integrated dual-polarized, Omni-direction 8dBi

Table 100 ePMP MP 3000 environmental specifications

Category	Specification
Temperature	-40°C (-40°F) to +65C (149°F) ambient op temp
Wind loading	224 kph 320mm x 215mm x 65mm 1100g
Environmental	IP67  <div style="border: 1px solid black; padding: 5px; margin-top: 10px;"> <p>Note</p> <p>This product meets the UL/cUL 62368 / IEC 62368 edition 2 specification, and the radio housings are designed to be rain-tight.</p> </div>

ePMP MP 3000 heater

At startup, if the ePMP MP 3000 module temperature is at or below 32°F (0°C), an internal heater is activated to ensure that the device can successfully begin operation. The unit's heater is only activated when the unit is powered on and will not apply heat to the device once the startup is complete. When the unit temperature is greater than 32°F (0°C), the heater is deactivated, and the unit continues its startup sequence.

The effect on device startup time at various temperatures is defined in [Table 101](#).

Table 101 ePMP MP 3000 startup times based on ambient temperature

Initial Temperature	Startup time (from power on to operational)
-22°F (-30°C) H	20 minutes
-4°F (-20°C)	6 minutes
14°F (-10°C)	2 minutes, 30 seconds

ePMP MP 3000 wind loading

Ensure that the device and the structure on which it is mounted are capable of withstanding the prevalent wind speeds at a proposed ePMP site. Wind speed statistics are available from national meteorological offices.

The device and its mounting bracket are capable of withstanding wind speeds of up to 180 kph (124 mph).

Wind blowing on the device will subject the mounting structure to significant lateral force. The magnitude of the force depends on both wind strength and the surface area of the device. Wind loading is estimated using the following formulae:

$$\text{Force (in kilograms)} = 0.1045aV^2$$

Where:	Is:
a	the surface area in square meters
V	wind speed in meters per second

$$\text{Force (in pounds)} = 0.0042Av^2$$

Where:	Is:
A	the surface area in square feet
v	wind speed in miles per hour

Applying these formulae to the ePMP device at different wind speeds, the resulting wind loadings are shown in [Table 102](#) and [Table 103](#).

Table 102 ePMP MP 3000 wind loading (Kg)

Type of ePMP device	Largest surface area (square meters)	Wind speed (meters per second)		
		30	40	50
ePMP MP 3000 Integrated	0.03	2.82 Kg	5.02 Kg	7.84 Kg

Table 103 ePMP MP 3000 wind loading (lb)

Type of ePMP device	Largest surface area (square feet)	Wind speed (miles per hour)		
		80	100	120
ePMP MP 3000	0.28	7.53 lb	11.76 lb	16.93 lb

ePMP MP 3000 software packages

ePMP MP 3000 devices may be upgraded by downloading new software packages from the Cambium Networks website or by using cnMaestro. The software packages applicable to ePMP integrated radios are named:

- ePMP-AC-v4.5-GA.img (or higher version number)

Force 425

For details of the Force 425 hardware, see:

- [Force 425 integrated description](#)
- [Force 425 part numbers](#)
- [Force 425 mounting bracket with Range Extender](#)
- [Force 425 interfaces](#)
- [Force 425 specifications](#)
- [Force 425 heater](#)
- [Force 425 software packages](#)

Force 425 integrated description

The Force 425 device is a self-contained transceiver unit that houses both radio and networking electronics.

An overview of Force 425 is shown in [Figure 38](#).



Figure 38: Force 425 Integrated

Force 425 part numbers

Choose the correct regional variant to adhere to local licensing restrictions.

Each of the parts listed in [Table 102](#) includes the following items:

- One integrated unit
- One power supply 1000/100 BASE-TX LAN injector
- One line cord

Table 102 ePMP Force 425 part numbers

Cambium description	Cambium part number
ePMP 5 GHz Force 425 SM 2-pack packaging (ROW) (no cord) - Priced per radio	C050940M001A
ePMP 5 GHz Force 425 SM 2-pack packaging (ROW) (US cord) - Priced per radio	C050940M101A
ePMP 5 GHz Force 425 SM 2-pack packaging (IC) (Canada/US cord) - Priced per radio	C058940M104A
ePMP 5 GHz Force 425 SM 2-pack packaging (ROW) (EU cord) - Priced per radio	C050940M201A
ePMP 5 GHz Force 425 SM 2-pack packaging (EU) (EU cord) - Priced per radio	C050940M203A
ePMP 5 GHz Force 425 SM 2-pack packaging (ROW) (UK cord) - Priced per radio	C050940M301A
ePMP 5 GHz Force 425 SM 2-pack packaging (EU) (UK cord) - Priced per radio	C050940M303A
ePMP 5 GHz Force 425 SM 2-pack packaging (ROW) (India cord) - Priced per radio	C050940M401A
ePMP 5 GHz Force 425 SM 2-pack packaging (India) (India Cord) - Priced per radio	C050940M402A
ePMP 5 GHz Force 425 SM 2-pack packaging (ROW) (China cord) - Priced per radio	C050940M501A
ePMP 5 GHz Force 425 SM 2-pack packaging (ROW) (Brazil cord) - Priced per radio	C050940M601A
ePMP 5 GHz Force 425 SM 2-pack packaging (ROW) (Argentina cord) - Priced per radio	C050940M701A
ePMP 5 GHz Force 425 SM 2-pack packaging (ROW) (ANZ cord) - Priced per radio	C050940M801A
ePMP 5 GHz Force 425 SM 2-pack packaging (ROW) (South Africa cord) - Priced per radio	C050940M901A
ePMP 5 GHz Force 425 SM 2-pack packaging (ROW) (No PSU) - Priced per radio	C050940MZ01A
ePMP 5 GHz Force 425 SM 2-pack packaging (FCC) (US Cord) - Priced per radio	C058940M102A

Table 103 Force 425 accessory part numbers

Cambiumdescription	Cambium partnumber
ePMP Force 425 Range Extender Dish Accessory 4-Pack Packaging, priced per unit	N000900L062A

Force 425 mounting bracket with Range Extender

The Force 425 module is designed to be pole-mounted using the mounting bracket provided in the box with the radio.

An overview of Force 425 mounting bracket is shown in [Figure 39](#)



Figure 39: Force 425 module mounting bracket with Range Extender

Force 425 interfaces

The Ethernet port is located on the rear of the integrated unit. This interface is described in [Table 104](#).

Table 104 Force 425 Series – rear interfaces

Portname	Connector	Interface	Description
Eth	RJ45	PoE input	Power over Ethernet (PoE).
		100/1000BASE-T Ethernet	Data
	SFP	10 Gigabit cage	Optional 10 Gigabit SFP cage for SFP module

Force 425 specifications

The Force 425 integrated module conforms to the specifications listed in [Table 105](#) and [Table 106](#).

The integrated module meets the low-level static discharge specifications identified in [Electromagnetic compatibility \(EMC\) compliance](#) and provides internal surge suppression but does not provide lightning suppression.

Table 105 Force 425 physical specifications

Category	Specification
Dimensions (Diameter x Depth)	470 mm diameter x 285 mm depth (18.5 in diameter x 11.2 in depth)
Weight	4.8 kg (10.6 lbs.)

Table 106 Force 425 environmental specifications

Category	Specification
Temperature	-30°C to 65°C (-22°F to 149°F)
Wind loading	200 km/hour (124 mph)
Humidity	95% condensing
Environmental	IPx0

Force 425 heater

At startup, if the Force 425 module temperature is at or below 32°F (0°C), an internal heater is activated to ensure that the device can successfully begin operation. The unit's heater is only activated when the unit is powered on and will not apply heat to the device once the startup is complete. When the unit temperature is greater than 32°F (0°C), the heater is deactivated, and the unit continues its startup sequence.

The effect on device startup time at various temperatures is defined in [Table 107](#).

Table 107 Force 425 startup times based on ambient temperature

Initial Temperature	Startup time (from power on to operational)
-22°F (-30°C) H	20 minutes
-4°F (-20°C)	6 minutes
14°F (-10°C)	2 minutes, 30 seconds

Force 425 wind loading

Ensure that the device and the structure on which it is mounted are capable of withstanding the dominant wind speeds at a proposed ePMP site. Wind speed statistics are available from national meteorological offices.

The device and its mounting bracket are capable of withstanding wind speeds of up to 200 kph (124 mph).

Wind blowing on the device subjects the mounting structure to significant lateral force. The magnitude of the force depends on both wind strength and the surface area of the device. Wind loading is estimated using the following formulae:

$$\text{Force (in kilograms)} = 0.1045aV^2$$

Where:	Is:
a	the surface area in square meters
V	wind speed in meters per second

$$\text{Force (in pounds)} = 0.0042Av^2$$

Where:	Is:

A	the surface area in square feet
v	wind speed in miles per hour

Applying these formulae to the ePMP device at different wind speeds, the resulting wind loadings are shown in [Table 108](#) and [Table 109](#).

Table 108 Force 425 wind loading (Kg)

Type of ePMP device	Largest surface area (square meters)	Wind speed (meters per second)		
		40	50	60
Force 425 Integrated	0.15	25.08 Kg	39.2 Kg	56.43 Kg

Table 109 Force 425 wind loading (lb)

Type of ePMP device	Largest surface area (square feet)	Wind speed (miles per hour)		
		80	100	120
Force 425 Integrated	1.61	43.28 lb	67.62 lb	97.37 lb

Force 425 software packages

Force 425 devices may be upgraded by downloading new software packages from the Cambium Networks website or by using cnMaestro. The software packages applicable to ePMP integrated radios are named:

- ePMP-AX-v5.0.img (or higher version number)

Force 400C

For details of the Force 400C hardware, see:

- [Force 400C integrated description](#)
- [Force 400C part numbers](#)
- [Force 400C interfaces](#)
- [Force 400C specifications](#)
- [Force 400C heater](#)
- [Force 400C wind loading](#)
- [Force 400C software packages](#)

Force 400C integrated description

The Force 400C device is a self-contained transceiver unit that houses both radio and networking electronics.

An overview of Force 400C is shown in [Figure 40](#).

Figure 40: Force 400C Integrated

Force 400C part numbers

Choose the correct regional variant to adhere to local licensing restrictions. Each of the parts listed includes the following items:

- One integrated unit
- One power supply 1000/100 BASE-TX LAN injector
- One line cord

Table 110 Force 400C part numbers

Cambiumdescription	Cambium partnumber
ePMP 5 GHz Force 400C (ROW) (no cord)	C050940C021A
ePMP 5 GHz Force 400C (ROW) (US cord)	C050940C121A
ePMP 5 GHz Force 400C (IC) (Canada/US cord)	C058940C124A
ePMP 5 GHz Force 400C (ROW) (EU cord)	C050940C221A
ePMP 5 GHz Force 400C (EU) (EU cord)	C050940C223A
ePMP 5 GHz Force 400C (ROW) (UK cord)	C050940C321A
ePMP 5 GHz Force 400C (EU) (UK cord)	C050940C323A
ePMP 5 GHz Force 400C (ROW) (India cord)	C050940C421A
ePMP 5 GHz Force 400C (India) (India Cord)	C050940C422A
ePMP 5 GHz Force 400C (ROW) (China cord)	C050940C521A
ePMP 5 GHz Force 400C (ROW) (Brazil cord)	C050940C621A
ePMP 5 GHz Force 400C (ROW) (Argentina cord)	C050940C721A
ePMP 5 GHz Force 400C (ROW) (ANZ cord)	C050940C821A
ePMP 5 GHz Force 400C (ROW) (South Africa cord)	C050940C921A
ePMP 5 GHz Force 400C (ROW) (No PSU)	C050940CZ21A
ePMP 5 GHz Force 400C (FCC) (US Cord)	C058940C122A

Table 111 Force 400C accessory part numbers

Cambiumdescription	Cambiumpartnumber
ePMP Force 400 spares kit	N000900L061A

Force 400C interfaces

The Ethernet port is located on the rear of the integrated unit.

Table 112 Force 400C series – rear interfaces

Portname	Connector	Interface	Description
Eth	RJ45	PoE input	Power over Ethernet (PoE)
		100/1000BASE-T Ethernet	Data
	SFP	10 Gigabit cage	Optional 10 Gigabit SFP cage for SFP module

Force 400C specifications

The Force 400C integrated module conforms to the specifications listed in [Table 113](#) and [Table 114](#).

The integrated module meets the low-level static discharge specifications identified in [Electromagnetic compatibility \(EMC\) compliance](#) and provides internal surge suppression but does not provide lightning suppression.

Table 113 Force 400C physical specifications

Category	Specification
Dimensions (Diameter x Depth)	256 mm x 125 mm x 46 mm (10.1 in x 4.9 in. x 1.8 in.)
Weight	1.3 kg (2.9 lbs.)

Table 114 Force 400C environmental specifications

Category	Specification
Temperature	-30°C to 65°C (-22°F to 149°F)
Wind loading	200 km/hour (124 mph)
Environmental	IPx0

Force 400C heater

At startup, if the Force 400C module temperature is at or below 32°F (0°C), an internal heater is activated to ensure that the device can successfully begin operation. The unit's heater is only activated when the unit is powered on and will not apply heat to the device once the startup is complete. When the unit temperature is greater than 32°F (0°C), the heater is deactivated and the unit continues its start-up sequence.

The effect on device startup time at various temperatures is defined in [Table 115](#).

Table 115 Force 400C startup times based on ambient temperature

InitialTemperature	Startuptime(frompowerontooperational)
-22°F (-30°C) H	20 minutes
-4°F (-20°C)	6 minutes
14°F (-10°C)	2 minutes, 30 seconds

Force 400C wind loading

Ensure that the device and the structure on which it is mounted are capable of withstanding the prevalent wind speeds at a proposed ePMP site. Wind speed statistics are available from national meteorological offices.

The device and its mounting bracket are capable of withstanding wind speeds of up to 180 kph (124 mph).

Wind blowing on the device will subject the mounting structure to significant lateral force. The magnitude of the force depends on both wind strength and the surface area of the device. Wind loading is estimated using the following formulae:

$$\text{Force (in kilograms)} = 0.1045aV^2$$

Where:	Is:
a	the surface area in square meters
V	wind speed in meters per second

$$\text{Force (in pounds)} = 0.0042Av^2$$

Where:	Is:
A	the surface area in square feet
v	wind speed in miles per hour

Applying these formulae to the ePMP device at different wind speeds, the resulting wind loadings are shown in [Table 116](#) and [Table 117](#).

Table 116 Force 400C wind loading (Kg)

Type of ePMP device	Largest surface area (square meters)	Wind speed (meters per second)		
		30	40	50
Force 400C Integrated	0.03	2.82 Kg	5.02 Kg	7.84 Kg

Table 117 Force 400C wind loading (lb)

Type of ePMP device	Largest surface area (square feet)	Wind speed (miles per hour)		
		80	100	120
Force 400C Integrated	0.28	7.53 lb	11.76 lb	16.93 lb

Force 400C software packages

Force 400C devices may be upgraded by downloading new software packages from the Cambium Networks website or by using cnMaestro. The software packages applicable to ePMP integrated radios are named.

- ePMP-AX-v5.x.x.img (or higher version number)

Power supply

For details of the ePMP power supply units, see:

- [Power supply description](#)
- [Power supply part numbers](#)
- [Power supply interfaces](#)
- [Power supply specifications](#)
- [Power supply location considerations](#)

Power supply description

The power supply unit that is connected to the ePMP modules is rated for indoor use. The ePMP modules are installed outdoors and terminated to network equipment using Cat5e cables with RJ45 connectors. The Cat5e cables are plugged into an AC or DC power supply to inject Power over Ethernet (PoE) into the module. The Cat5e cables connected to the power supply transitioning from indoors to outdoors must be rated for outdoor use.



Attention

All RJ45 Ethernet LAN cables used for providing power or are connected to power ports (PoE) must be UL certified with VW-1 markings.

Power supply part numbers

Each module requires one power supply and one power supply line cord (line cord included with radio device, see [Table 118](#)).

Table 118 Power supply part numbers

Cambium description	Cambium part number	Device Compatibility
ePMP Power Supply for GPS Radio - no cord (spare)	N000900L001	ePMP MP 3000 Access Point
POWER SUPPLY, 30W, 56V - Gbps support	N000000L034	ePMP 3000 Access Point



Attention

Each ePMP device must be powered by the corresponding power supply listed in [Table 118](#). This product is intended to be supplied by a UL Listed Power Supply Unit marked "LPS" or "PS2" and providing power over the Ethernet (PoE) supply.

Power supply interfaces

The power supply interfaces are illustrated in [Power supply interfaces](#) and described in [Table 119](#) and [Table 120](#)

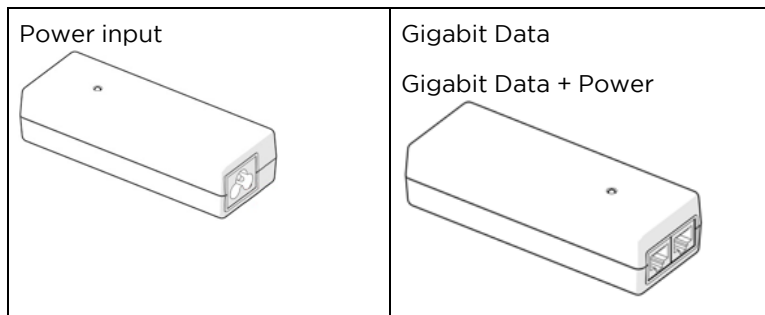


Figure 41: Power supply interfaces

Table 119 Power supply interface functions - N000900L001


Interface	Function
Power input	Mains power input.
Power output	30V
Gigabit Data + Power	RJ45 socket for connecting Cat5e cable to the radio.  <div style="border: 1px solid black; background-color: #e1f5fe; padding: 5px; margin-top: 5px;"> <p>Note</p> <p>All RJ45 Ethernet LAN cables used for providing power or are connected to power ports (PoE) must be UL certified with VW-1 markings.</p> </div>
Gigabit Data	RJ45 socket for connecting Cat5e cable to the network.

Table 120 Power supply interface functions - N000000L034


Interface	Function
Power input	Mains power input.
Power output	56V
Gigabit Data + Power	RJ45 socket for connecting Cat5e cable to the radio.  <div style="border: 1px solid black; background-color: #e1f5fe; padding: 5px; margin-top: 5px;"> <p>Note</p> <p>All RJ45 Ethernet LAN cables used for providing power or are connected to power ports (PoE) must be UL certified with VW-1 markings.</p> </div>
Gigabit Data	RJ45 socket for connecting Cat5e cable to the network.

Table 121 Power Supply LED functions

LED	Function
Power (green)	Power supply detection

Power supply specifications

The ePMP power supply conforms to the specifications listed in [Table 122](#), [Table 123](#), and [Table 124](#).

Table 122 Power supply physical specifications

Category	Specification
Dimensions (H x W x D)	14 x 6.5 x 3.6 cm (5.5 x 2.55 x 1.42 in)
Weight	0.26 lbs

Table 123 Power supply environmental specifications

Category	Specification
Ambient Operating Temperature	0°C to +40°C
Humidity	20% - 90%

Table 124 Power supply electrical specifications

Category	Specification
AC Input	100 to 240 VAC
Efficiency	Meets Energy Level 6
Over Current Protection	Short circuit, with auto-recovery
Hold uptime	10 ms minimum at maximum load, 120 VAC

Power supply location considerations

Find a location for the power supply that meets the following requirements:

- The power supply is rated for indoor use and can be mounted on a wall or other flat surface.
- The power supply must be kept dry, with no possibility of condensation, flooding, or rising dampness.
- The power supply can be accessed to view status indicators.
- The power supply can be connected to the ePMP module drop cable and network terminating equipment.
- The power supply can be connected to a mains or DC power supply that meets the requirements defined in [Table 124](#).

Ethernet cabling

For more information on the Ethernet cabling components of an ePMP installation, see:

- [Ethernet standards and cable lengths](#)
- [Outdoor Cat5e cable](#)

Ethernet standards and cable lengths

All configurations require a copper Ethernet connection from the power supply port to the power supply and network terminating equipment.



Attention

All cables used for outdoor installations must be suitable to be used for that environment and rated accordingly.

For each power supply, the maximum permitted drop cable length is specified in [Table 125](#).

Table 125 Power supply drop cable length restrictions

Part number	Description	Maximum cable length (*1)
N000900L001	Power Supply for Radio with Gigabit Ethernet (no cord)	330 feet (100m)
N000000L034		

(*1) The maximum length of Ethernet cable from the device to the network device needs to follow 802.3 standards. If the power supply is not the network device the cable from the power supply to the network device must be included in the total maximum cable length.

Outdoor Cat5e cable

Cambium Industrial Cable

Cambium Industrial Cable uses 24-gauge solid bare copper conductors, covered by bonded-pair polymer insulation. The conductors are protected by double-layer shielding consisting of a solid foil layer under the braided tinned copper mesh, providing excellent shielding while maximizing flexibility. And, the cable is jacketed by industrial-grade UV-resistant, abrasion-resistant, and oil-resistant PVC.

Cambium's Industrial RJ45 connectors are specifically designed to work optimally with Cambium Industrial Cable.

The connectors are fully shielded with integrated strain relief for greater pull strength, utilize a staggered contact design that minimizes crosstalk, and maximizes electrical performance, and the contacts are plated with 50 micro-inch thick 24-carat gold, exceeding TIA-1096 specifications and ensuring the best possible connection and oxidation resistance.

Cambium Networks' industrial-grade cable is well suited for high-quality durable installations of subscriber modules, APs, and enterprise point-to-point links as well as in tactical non-permanent deployments of infrastructure.

Table 126 Cambium Industrial Cable part numbers

Cambium description	Cambium part number
Industrial Grade CAT 5 Cable 50 meter unterminated	N000000L106A
Industrial Grade CAT 5 Cable 100 meter unterminated	N000000L106A
Industrial Grade CAT 5 Cable 300 meter unterminated	N000000L108A
Industrial Grade RJ45 Connector 100 Pack	C000000L109A
Termination Tool for C000000L109A RJ45 connectors	C000000L110A



Attention

All RJ45 Ethernet LAN cables used for providing power or are connected to power ports (PoE) must be UL certified with VW-1 markings.

Surge suppression unit

Structures, equipment, and people must be protected against power surges (typically caused by lightning) by conducting the surge current to the ground via a separate preferential solid path.

The actual degree of protection required depends on local conditions and applicable local regulations. To adequately protect an ePMP installation, both ground bonding and transient voltage surge suppression are required.

Network operators should always follow best practices for grounding and lightning protection. Doing so will minimize network outages and reduce the associated costs of tower climbs and equipment repair/replacement.



Note

Lightning-prone installations can be improved by:

- Installing a surge suppressor near the device (transient surge suppression)
- Grounding the device to the pole (ground bonding)
- Lowering the device/dish such that it is not the highest metallic object on the pole.

Gigabit Ethernet surge suppressor

The Gigabit Ethernet surge suppressor is critical for lightning protection to minimize the potential for damage.



Figure 42: Gigabit Ethernet surge suppressor

Table 127 Surge suppressor part numbers

Cambium description	Cambium part number	Device Compatibility
Gigabit Surge Suppressor (30V)	C000000L065A	Force 300-25 Force 300-19(R) Force 300-16 Force 300-13
Gigabit Surge Suppressor (56V)	C000000L033A	ePMP 3000 Access Point



Attention

Choose the 30V or 56V surge suppressor option based on your installed device power rating. Installing a 30V surge suppressor for a 56V device or a 56V surge suppressor for a 30V device may result in inadequate surge protection. Refer to [Table 127](#) for more details.

cnPulse sync generator

cnPulse is the latest GPS synchronization generation device designed specifically for Cambium Networks PMP and PTP radios. The cnPulse module is *IP67 (weatherproof and supports a wide temperature range for rugged environments. The GPS receiver is highly reliable and supports both GPS and GNSS signals.



Figure 43: cnPulse sync generator

cnPulse receives its power from the CAT-5 drop cable in mode 2 so no external power supply is required. There are no configuration or software settings required. For ePMP 3000, cnPulse is deployed in-line with the radio's CAT-5 drop cable.

For more information, see: <http://community.cambiumnetworks.com/t5/cnPulse/bd-p/cnPulse>



Note

This product meets the UL/cUL 62368 / IEC 62368 edition 2 specification, and the radio housings are designed to be rain-tight.

Chapter 3: System Planning

This chapter provides information to help the user to plan an ePMP link.

The following topics are described in this chapter:

- How to plan ePMP links to conform to the regulatory restrictions that apply in the country of operation is explained under [Radio spectrum planning](#)
- Factors to be considered when planning links such as range, path loss, and throughput are described under [Link planning](#)
- The grounding and lightning protection requirements of an ePMP installation are described under [Grounding and lightning protection](#)
- Factors to be considered when planning ePMP data networks are described under [Data network planning](#)

Radio spectrum planning

This section describes how to plan ePMP links to conform to the regulatory restrictions that apply in the country of operation.



Attention

The user must ensure the ePMP product operates in accordance with local regulatory limits.



Note

Contact the applicable radio regulator to check if the registration of the ePMP link is required.

General wireless specifications

The wireless specifications that apply to ePMP 802.11ac variants are listed under [Table 128](#). The wireless specifications that are specific to each frequency variant are listed in [Table 129](#).

Table 128 Wireless specifications (all variants)

Item	Specification
Channel selection	Manual selection (fixed frequency) Automatic Channel Selection
Manual power control	To avoid interference with other users of the band, maximum power can be set lower than the default power limit.
Maximum transmit power	ePMP 3000 Access Point: 33 dBm Force 300-25: 29 dBm Force 300-19(R): 28dBm

Item	Specification
	Force 300-16: 29 dBm Force 300-13: 28dBm
Integrated device antenna type	Force 300-25: Dish antenna Force 300-19(R): Integrated patch Force 300-16: Integrated patch Force 300-13: Integrated patch
Duplex scheme	Adaptive TDD
Over-the-air encryption	AES
Error Correction	FEC

Table 129 Wireless specifications, 5 GHz band

Item	5 GHz
RF band (GHz)	4.910 - 5.970 MHz
Channel bandwidth	20 MHz, 40 MHz, or 80 MHz
Typical antenna gain	Integrated dish antenna - 25 dBi Integrated patch antenna - 16 dBi Sector antenna - 17 dBi Dual-Horn antenna - 13 dBi Omni antenna - 13 dBi
Antenna 3dB Beamwidth	Integrated Dish: 6-10° azimuth, 6-10° elevation Integrated Patch: 15° azimuth, 30° elevation Sector antenna: 70° azimuth, 6° elevation Dual-Horn antenna: 45° azimuth/elevation Omni antenna: 360° azimuth, 7° elevation

Regulatory limits

The local regulator may restrict frequency usage and channel width and may limit the amount of conducted or radiated transmitter power.

Many countries impose EIRP limits (Allowed EIRP) on products operating in the bands used by the ePMP Series. For example, in the 5 GHz band, these limits are calculated as follows:

- In the 5.8 GHz band (5725 MHz to 5875 MHz), the EIRP must not exceed the lesser of 36 dBm or $(23 + 10 \times \text{Log Channel width in MHz})$ dBm.

Some countries (for example the USA) impose conducted power limits on products operating in the 5 GHz band.

Conforming to the limits

Ensure the link is configured to conform to local regulatory requirements by configuring the correct country code (located in the web management interface, under **Configure > Radio**). In the following situations, the country code does not automatically prevent operation outside the regulations:

- When operating in ETSI regions, it is required to enter a license key in the ePMP web management interface to unlock valid country-specific frequencies. This key may be obtained from <https://support.cambiumnetworks.com/licensekeys/epmp>.

Available spectrum

The available spectrum for the operation depends on the region. When configured with the appropriate country code, the unit will only allow operation on those channels which are permitted by the regulations.

Certain regulations have allocated certain channels as unavailable for use:

- Some European countries have allocated part of the 5.8 GHz band to Road Transport and Traffic Telematics (RTTT) systems.

Where regulatory restrictions apply to certain channels, these channels are barred automatically by the use of the correct country code. For example, at 5.8 GHz in some European countries, the RTTT band 5795 MHz to 5815 MHz is barred. With the appropriate country code configured for this region, the ePMP will not operate on channels within this band.

The number and identity of channels barred by the license key and country code are dependent on the channel bandwidth.

Channel bandwidth

Select the required channel bandwidth for the link. The selection depends upon the ePMP frequency variant and country code.

The wider a channel bandwidth the greater is its capacity. As narrower channel bandwidths take up less spectrum, selecting a narrow channel bandwidth may be a better choice when operating in locations where the spectrum is very busy.

Both ends of the link must be configured to operate on the same channel bandwidth.

Link planning

This section describes factors to be taken into account when planning links, such as range, obstacles path loss, and throughput.

Range and obstacles

Calculate the range of the link and identify any obstacles that may affect radio performance.

Perform a survey to identify all the obstructions (such as trees or buildings) in the path and to assess the risk of interference. This information is necessary to achieve an accurate link feasibility assessment.

Path loss

Path loss is the amount of attenuation the radio signal undergoes between the two ends of the link. The path loss is the sum of the attenuation of the path if there were no obstacles in the way (Free Space Path Loss), the attenuation caused by obstacles (Excess Path Loss), and a margin to allow for possible fading

of the radio signal (Fade Margin). The following calculation needs to be performed to judge whether a particular link can be installed:

$L_{free_space} + L_{excess} + L_{fade} + L_{seasonal} < L_{capability}$	
Where:	Is:
L_{free_space}	Free Space Path Loss (dB)
L_{excess}	Excess Path Loss (dB)
L_{fade}	Fade Margin Required (dB)
$L_{seasonal}$	Seasonal Fading (dB)
$L_{capability}$	Equipment Capability (dB)

Free space path loss is a major determinant in received (Rx) signal level. Rx signal level, in turn, is a major factor in the system operating margin (fade margin), which is calculated as follows:

$$\text{System Operating Margin (fade margin) dB} = \text{Rx signal level (dB)} - \text{Rx sensitivity (dB)}$$

Thus, the fade margin is the difference between the strength of the received signal and the strength that the receiver requires for maintaining a reliable link.

Adaptive modulation

Adaptive modulation ensures that the highest throughput that can be achieved instantaneously will be obtained, taking account of propagation and interference. When the link has been installed, web pages provide information about the link loss currently measured by the equipment, both instantaneously and averaged.

Data network planning

This section describes factors to be considered when planning ePMP data networks.

Ethernet interfaces

The ePMP Ethernet ports conform to the specifications listed in [Table 130](#).

Table 130 Ethernet bridging specifications

Ethernet Bridging	Specification
Protocol	10BASE-Te/100BASE-Tx/1000BASE-T IEEE 802.3 IEEE 802.3at (PoE) IEEE802.3u compliant Auto-negotiation

Ethernet Bridging	Specification
Interface	10/100/1000BASE-T (RJ-45)
Maximum Ethernet Frame Size	1700 bytes
Service classes for bridged traffic	3 classes



Note

Practical Ethernet rates will depend on network configuration, higher layer protocols, and platforms used.

Over the air, throughput will be capped to the rate of the Ethernet interface at the receiving end of the link.

Management VLAN

Decide if the IP interface of the device management agent will be connected in a VLAN. If so, decide if this is a standard (IEEE 802.1Q) VLAN or provider bridged (IEEE 802.1ad) VLAN, and select the VLAN ID for this VLAN.

The use of a separate management VLAN is strongly recommended. The use of the management VLAN helps to ensure that the device management agent cannot be accessed by customers.

Quality of service for bridged Ethernet traffic

Decide how the quality of service will be configured in ePMP to minimize frame loss and latency for high-priority traffic. Wireless links often have lower data capacity than wired links or network equipment like switches and routers, and quality of service configuration is most critical at network bottlenecks.

ePMP provides three priority types for traffic waiting for transmission over the wireless link - Voice, High and Low. Low is the lowest priority and Voice is the highest priority. Traffic is scheduled using strict priority; in other words, traffic in a given priority is transmitted when all higher-priority transmissions are complete.

Chapter 4: Using the Device Management Interface

This chapter describes all configuration and alignment tasks that are performed when an ePMP system is deployed.

Configure the units by performing the following tasks:

- [Preparing for configuration](#)
- [Connecting to the unit](#)
- [Using the web interface](#)
- [Using the installation wizard - Access Point](#)
- [Using the installation wizard - Subscriber Module](#)
- [Using the menu options](#)

Preparing for configuration

This section describes the checks to be performed before proceeding with the unit configuration.

Safety precautions

All national and local safety standards must be followed while configuring the units.



Warning

Ensure that personnel is not exposed to unsafe levels of RF energy. The units start to radiate as soon as they are powered up. Respect the safety standards defined in [Compliance with safety standards](#), in particular, the minimum separation distances.

Observe the following guidelines:

- Never work in front of the antenna when the device is powered.
- Always power down the power supply before connecting or disconnecting the Ethernet cable from the module.

Regulatory compliance

All applicable radio regulations must be followed while configuring the units and aligning the antennas. For more information, see [Compliance with safety standards](#).

Connecting to the unit

To connect the unit to a management PC, use the following procedures:

- [Configuring the management PC](#)
- [Connecting to the PC and powering up](#)

Configuring the management PC

Use this procedure to configure the local management PC to communicate with the ePMP module.

Procedure:

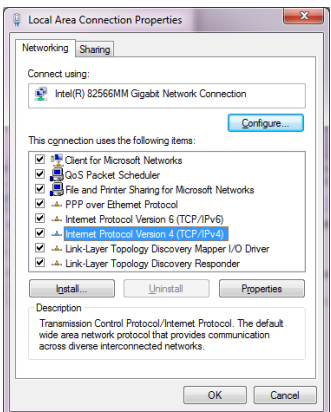
1	<p>Select Properties for the Ethernet port.</p> <p>In Windows 7 this is found in Control Panel > Network and Internet > Network Connections > Local Area Connection.</p>	
2	<p>Select the Internet Protocol (TCP/IP) item:</p>	
3	<p>Click Properties.</p>	
4	<p>Enter an IP address that is valid for the 169.254.1.x network, avoiding 169.254.1.1. A good example is 169.254.1.100:</p>	
5	<p>Enter a subnet mask of 255.255.255.0.</p> <p>Leave the default gateway blank.</p>	
6	<p>Click OK and then click Close.</p>	

Figure 44: Local Area Connection Properties

Connecting to the PC and powering up

Use this procedure to connect a management PC directly to the ePMP for configuration and alignment purposes and to power up the ePMP device.

Procedure:

1. Check that the device and power supply are correctly connected (the device Ethernet port is connected to the power supply Ethernet power port (“Gigabit Data+Power” or “10/100Mbit Data+Power”).
2. Connect the PC Ethernet port to the LAN (“Gigabit Data” or “10/100Mbit Data”) port of the power supply using a standard (not crossed) Ethernet cable.
3. Apply mains or battery power to the power supply. The green Power LED must illuminate continuously.



Note

If the Power and Ethernet LEDs do not illuminate correctly, see [Testing hardware](#).

Using the web interface

To understand how to use the ePMP web interface, see:

- [Logging into the web interface](#)

Logging into the web interface

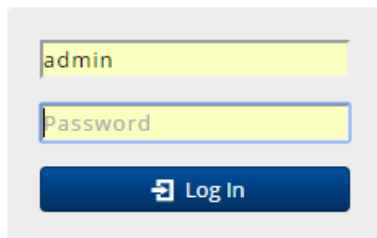
Use this procedure to log into the web interface as a system administrator.

Equipment and tools:

- ePMP device connected to the power supply by Ethernet cable.
- PC is connected to the power supply by Ethernet cable.
- Power Supply powered up.
- Minimum supported browser version – Chrome v29, Firefox v24, Internet Explorer 10, Safari v5.

Procedure:

1. Check that the device and power supply are correctly connected (the device Ethernet port is connected to the power supply Ethernet power port (“Gigabit Data+Power” or “10/100Mbit Data+Power”).
2. Configure the host machine with an IP address in the 169.254.1.x subnet (excluding 169.254.1.1).
3. Configure the host machine with an IP address in the 169.254.1.x subnet (excluding 169.254.1.1).
4. Connect the power supply to power mains.
5. In your browser, navigate to the device’s default IP address **169.254.1.1**.



6. Log in with username **admin** and password **admin**.



Note

If **Device IP address Mode** is set to **DHCP** and the device is unable to retrieve IP address information via DHCP, the device management IP is set to 192.168.0.1 (AP Mode), 192.168.0.2 (SM mode), or the previously-configured static Device IP Address. Units may always be accessed via the Ethernet port at 169.254.1.1.



Note

New ePMP devices all contain default username and password configurations. It is recommended to change these password configurations immediately. These passwords may be configured in the management GUI in section **Configuration > System > Account Management**.

Using the installation wizard – Access Point

The ePMP device features a guided configuration mechanism for configuring key parameters for link operation.

This setup is accessed on the **Installation** page by clicking the **Start Setup** button.

Start Setup

Click **Finish Setup** to commit the changes to the device.

Installation wizard step 1 – Main system parameters

Figure 45: Quick Start page

Attribute	Description
Main	
Device Name	The configured identifier used in an NMS such as cnMaestro
Backward Compatibility	<p>Enabled: 802.11n ePMP subscribers can register to the AP (requires subscriber software upgrade).</p> <p>Disabled: 802.11n ePMP subscribers are not able to register to the AP.</p>
SSID	SSID is a unique identifier for a wireless LAN which is specified in the AP's beacon. (Access Point Mode). SSID must be the same at both ends and different from the site name.

Installation wizard step 2 – Radio parameters

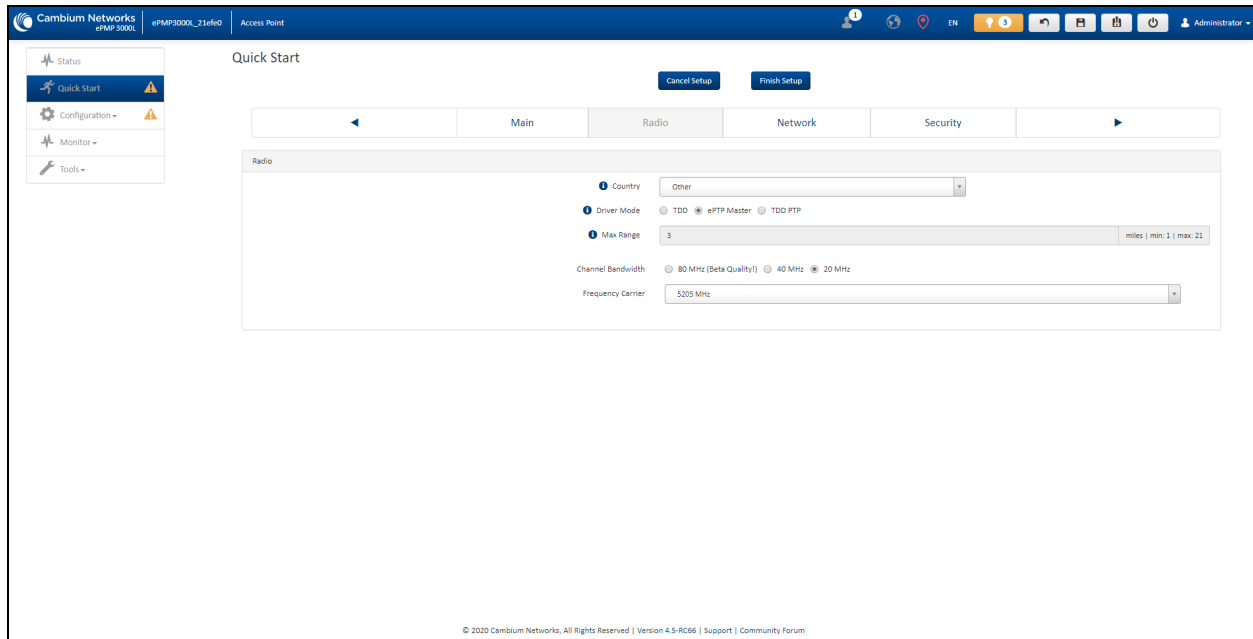


Figure 46: Radio parameters page

Attribute	Description
Radio	
Country	Defines the country code being used by the device. The country code of the Subscriber Module follows the country code of the associated AP unless it is an FCC SKU in which case the country code is the United States or Canada. Country code defines the regulatory rules in use for the device.
Driver Mode	<p>TDD: The device is operating in point-to-multipoint (PMP) mode using TDD scheduling. The AP can GPS synchronize in this mode.</p> <p>ePTP Master: The AP is operating as a Master in point-to-point mode. The AP does not support GPS Synchronization in this mode but can provide significantly lower latency than other modes. QoS (MIR and traffic priority) capability and Link Quality/Capacity indicators are not available in this mode.</p> <p>TDD PTP: The AP is operating in point-to-point (PTP) mode using TDD scheduling. The AP can GPS synchronize in this mode.</p>
Downlink/Uplink Ratio	The schedule of downlink traffic to uplink traffic on the radio link. The three options, 75/25 , 50/50 , and 30/70 , allow the radio to operate in a fixed ratio on every frame. In other words, this ratio represents the amount of the total radio link's aggregate throughput that will be used for downlink resources, and the amount of the total radio link's aggregate throughput that will be used for uplink resources.

Attribute	Description
Max Range	This parameter represents the cell coverage radius. Subscriber Modules outside the configured radius will not be able to connect. It is recommended to configure Max Range to match the actual physical distance of the farthest subscriber.
Channel Bandwidth	Configure the channel size used by the radio for RF transmission.
Frequency Carrier	Configure the frequency carrier for RF transmission. This list is dynamically adjusted to the regional restrictions based on the setting of the Country parameter. Ensure that a thorough spectrum analysis has been completed before configuring this parameter.

Installation wizard step 3 – Network parameters

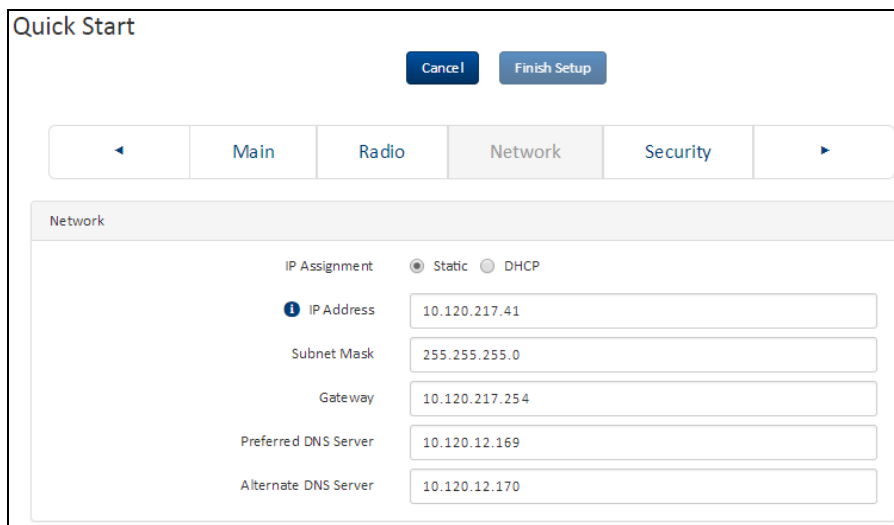


Figure 47: Network parameters page

Attribute	Description
Network	
IP Assignment	<p>Static: Device management IP addressing is configured manually in fields IP Address, Subnet Mask, Gateway, Preferred DNS Server, and Alternate DNS Server.</p> <p>DHCP: Device management IP addressing (IP address, Subnet Mask, Gateway, and DNS Server) is assigned via a network DHCP server, and parameters IP Address, Subnet Mask, Gateway, Preferred DNS Server, and Alternate DNS Server are not configurable.</p>
IP Address	<p>Internet protocol (IP) address. This address is used by the family of Internet protocols to uniquely identify this unit on a network.</p> <p>If IP Address Assignment is set to DHCP and the device is unable to retrieve IP address information via DHCP, the device management IP is set to fallback IP 192.168.0.1 (AP) or 192.168.0.2 (Subscriber Module).</p>

Attribute	Description
Subnet Mask	Defines the address range of the connected IP network. For example, if the IP Address is configured to 192.168.2.1 and Subnet Mask is configured to 255.255.255.0 , the device will belong to subnet 192.168.2.X .
Gateway	Configure the IP address of the device on the current network that acts as a gateway. A gateway acts as an entrance and exit to packets from and to other networks.
Preferred DNS Server	Configure the primary IP address of the server used for DNS resolution.
Alternate DNS Server	Configure the secondary IP address of the server used for DNS resolution.

Installation wizard step 4 - Security parameters

Figure 48: Security parameters page

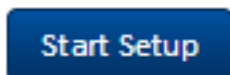
Attribute	Description
Network	
Wireless Security	<p>Open: All Subscriber Module devices requesting network entry are allowed registration.</p> <p>WPA2: The WPA2 mechanism provides AES radio link encryption and Subscriber Module network entry authentication. When enabled, the Subscriber Module must register using the Authentication Pre-shared Key configured on the AP and Subscriber Module.</p> <p>RADIUS: Enables Subscriber Module authentication via a pre-configured Radius server.</p>

Attribute	Description
WPA2 Pre-shared Key	Configure this key on the AP, then configure the Subscriber Module with this key to complete the authentication configuration. This key must be between 8 to 128 symbols.
Servers	Up to 3 RADIUS servers can be configured on the device with the following attributes: IP Address: IP Address of the RADIUS server on the network. Port: The RADIUS server port. The default is 1812. Secret: Secret key that is used to communicate with the RADIUS server.
GUI User Authentication	This parameter applies to both the AP and its registered SMS. Device Local Only: The device GUI authentication is local to the device using one of the accounts configured under Configuration > System > Account Management . Remote RADIUS Server Only: The device GUI authentication is performed using a RADIUS server. Remote RADIUS Server and Fallback to Local: The device GUI authentication is performed using a RADIUS server. Upon failure of authentication through a RADIUS server, the authentication falls back to one of the local accounts configured under Configuration > System > Account Management .

Using the installation wizard – Subscriber Module

The ePMP device features a guided configuration mechanism for configuring key parameters for link operation.

This setup is accessed on the Installation page by clicking the **Start Setup** button.



Click **Finish Setup** to commit the changes to the device.

Installation wizard step 1 – Main system parameters

 A screenshot of the installation wizard interface. At the top, there is a navigation bar with tabs for "Main", "Radio", "Network", and "Security". The "Main" tab is selected. Below the navigation bar, the "Main" section is displayed. It contains a "Device Name" field with the value "SM1" and a "Radio Mode" section with two radio buttons: "Access Point" and "Subscriber Module". The "Subscriber Module" radio button is selected.

Figure 49: Main system parameters page

Attribute	Description
Main	
Device Name	The configured identifier used in an NMS such as cnMaestro
Radio Mode	This parameter controls the function of the device - All ePMP devices may be configured to operate as an Access Point (AP) or a Subscriber Module (SM) .

Installation wizard step 2 - Radio parameters

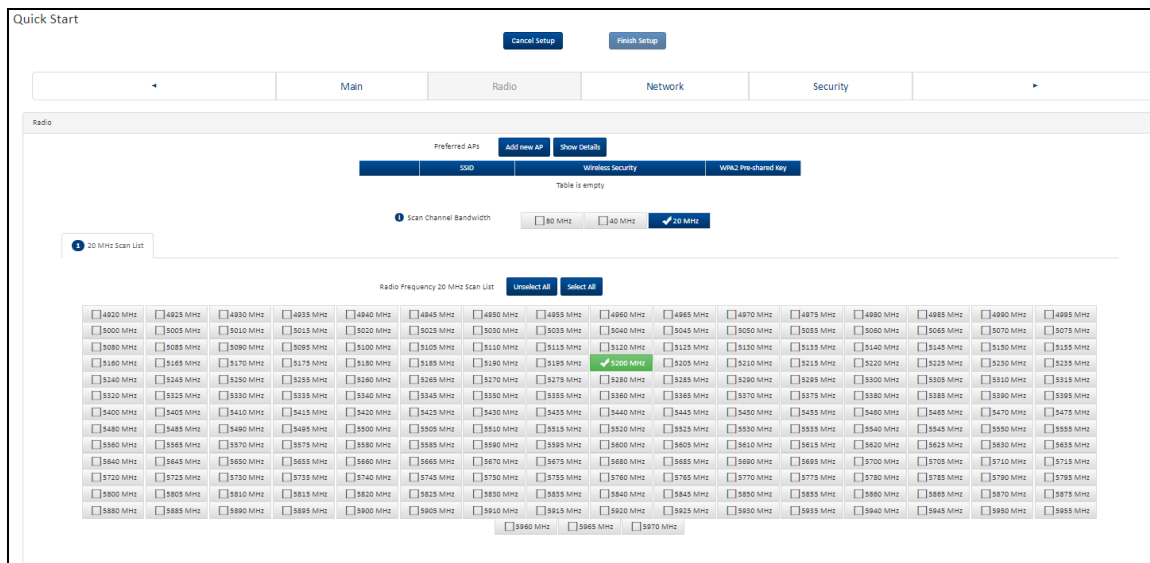


Figure 50: Radio parameters page

Attribute	Description
Radio	
Preferred APs	
SSID	The Preferred Access Points SSID defines the AP SSID to which the Subscriber Module device will attempt registration.
Wireless Security	<p>Open: The Subscriber Module device will attempt registration to the Preferred APs SSID with no security mechanism.</p> <p>WPA2: The WPA2 mechanism provides AES radio link encryption and Subscriber Module network entry authentication. When enabled, the Subscriber Module must register using the Authentication Pre-shared Key configured on the Access Point and Subscriber Module.</p>

Attribute	Description
WPA2 Pre-shared Key	The Preferred Access Points WPA2 Pre-shared Key must be configured on the Subscriber Module device to match the pre-shared key configured on the Access Point for registration with WPA2 security.
Scan Channel Bandwidth	Configure the channel size used by the radio for RF transmission.
Radio Frequency Scan List	Configure the frequency carrier for RF transmission. This list is dynamically adjusted to the regional restrictions based on the setting of the Country parameter. Ensure that a thorough spectrum analysis has been completed before configuring this parameter.

Installation wizard step 3 – Network parameters

The screenshot shows the 'Network' configuration page. At the top, there are navigation tabs: Main, Radio, Network (selected), and Security. Below the tabs, the 'Network' section is displayed. It includes the following settings:

- Network Mode:** NAT, Bridge (selected), Router
- IP Assignment:** Static (selected), DHCP
- IP Address:** 10.120.223.110
- Subnet Mask:** 255.255.255.0
- Gateway:** 10.120.223.254
- Preferred DNS Server:** 10.120.12.169
- Alternate DNS Server:** 10.120.12.170

Figure 51: Network parameters page

Attribute	Description
Network	
Network Mode	<p>NAT: The SM acts as a router and packets are forwarded or filtered based on their IP header (source or destination).</p> <p>Bridge: The SM acts as a switch and packets are forwarded or filtered based on their MAC destination address.</p> <p>Router: The SM acts as a router and packets are forwarded or filtered based on their IP header (source or destination) using specific static routes and IP aliases configured by the operator.</p>
IP Assignment	<p>Static: Device management IP addressing is configured manually in fields IP Address, Subnet Mask, Gateway, Preferred DNS Server, and Alternate DNS Server.</p> <p>DHCP: Device management IP addressing (IP address, Subnet Mask, Gateway, and DNS Server) is assigned via a network DHCP server, and parameters IP Address, Subnet Mask, Gateway, Preferred DNS Server, and Alternate DNS Server are not configurable.</p>

Attribute	Description
IP Address	Internet protocol (IP) address. This address is used by the family of Internet protocols to uniquely identify this unit on a network. If IP Address Assignment is set to DHCP and the device is unable to retrieve IP address information via DHCP, the device management IP is set to fallback IP 192.168.0.1 (Access Point) or 192.168.0.2 (Subscriber Module).
Subnet Mask	Defines the address range of the connected IP network. For example, if the IP Address is configured to 192.168.2.1 and Subnet Mask is configured to 255.255.255.0 , the device will belong to subnet 192.168.2.X .
Gateway	Configure the IP address of the device on the current network that acts as a gateway. A gateway acts as an entrance and exit to packets from and to other networks.
Preferred DNS Server	Configure the primary IP address of the server used for DNS resolution.
Alternate DNS Server	Configure the secondary IP address of the server used for DNS resolution.

Installation wizard step 4 – Security parameters

Quick Start

◀
Main
Radio
Network
Security
▶

Security

RADIUS
 WPA2
 Open

Use Ethernet MAC Address as EAP-TTLS Username

Off
 Using ":" as Format
 Using "-" as Format

Attribute	Description
Network	
EAP-TTLS Username	Configure the EAP-TTLS Username to match the credentials on the RADIUS server being used for the network.
Use Ethernet MAC Address at EAP-TTLS Username	The device MAC Address can be used as the EAP-TTLS Username in either ":" or "-" delimited format.
EAP-TTLS Password	Configure the EAP-TTLS Password to match the credentials on the RADIUS server being used for the network.

Attribute	Description
Authentication Identity String	Configure this Identity string to match the credentials on the RADIUS server being used for the network. The default value for this parameter is “anonymous”.
Authentication Identity Realm	Configure this Identity string to match the credentials on the RADIUS server being used for the network. The default value for this parameter is “cambiumnetworks.com”.

Using the menu options

Use the menu navigation bar in the left panel to navigate to each web page. Some of the menu options are only displayed for specific system configurations. Use [Table 131](#) to locate information about using each web page.

Table 131 Menu options and web pages

Main menu	Menu option	Web page information
Status		Status page
Installation		Installation page
Configuration		Configuration menu
	Radio	Configuration > Radio page
	System	Configuration > System page
	Network	Configuration > Network page
	Security	Configuration > Security page
Monitor		Monitor menu
	Performance	Monitor > Performance page
	System	Monitor > System page
	Wireless	Monitor > Wireless page
	Throughput Chart	Monitor > Throughput Chart page
	GPS	Monitor > GPS page (Access Point mode)
	Network	Monitor > Network page
	System Log	Monitor > System Log page

Main menu	Menu option	Web page information
Tools		Tools menu
	Software Upgrade	Tools > Software Upgrade page
	Backup / Restore	Tools > Backup/Restore page
	License Management	Tools > License Management page (Access Point Mode)
	Spectrum Analyzer	Tools > Spectrum Analyzer page
	eAlign	Tools > eAlign page
	Wireless Link Test	Tools > Wireless Link Test page
	Watchdog	Tools > Watchdog page
	Ping	Tools > Ping page
	Traceroute	Tools > Traceroute page

Status page

The screenshot displays the Status page for a Cambium Networks ePMP3000 Access Point. The interface includes a navigation menu on the left with options for Status, Installation, Configuration, Monitor, and Tools. The main content area is divided into two columns of status information.

Status	
Device Name	ePMP3000
SSID	GetElevated
Operating Frequency	5 200 MHz
Operating Channel Bandwidth	20 MHz
Transmitter Output Power	8 dBm
Antenna Gain	17 dBi
Country	United States
Access Point Mode	TDD
Downlink/Uplink Frame Ratio	75/25
Wireless Security	WPA2
cnMaestro Remote Management	Enabled
cnMaestro Connection Status	Connected to cloud.cambiumnetworks.com
cnMaestro Account ID	CAMB IUM_NA_SALES
Wireless MAC Address	00:04:56:20:9D:FA
Ethernet MAC Address	00:04:56:20:9D:F9
SFP Port MAC Address	00:04:56:20:9D:FB
IP Address	10.120.223.101
Date and Time	16 Nov 2018, 08:02:23 CDT
System Uptime	15 hours, 0 minute
System Description	--
Sync Source Status	GPS Sync Up
Device Coordinates	42.05291030000001 , -88.02544669999997
DFS Status	Not Available
Ethernet Status	1 000 Mbps / Full
Wireless Status	Up
SFP Port	Down
SFP Port Type	N/A
Registered Subscriber Modules	2
Registered Elevate Subscriber Modules	0

Figure 52: Status page

Table 132 Status page attributes

Attribute	Description
Device Name	The configured device name of the AP, used for identifying the device in an NMS such as the Cambium Network Services Server (CNSS).
SSID	The current configured name/SSID of the AP.

Attribute	Description
Operating Frequency	The current frequency carrier used for radio transmission, based on the configuration of the Frequency Carrier parameter (in DFS regions, if radar has been detected, this field may display either DFS Alternate Frequency Carrier 1 or DFS Alternate Frequency Carrier 2).
Operating Channel Bandwidth	The current channel bandwidth used for radio transmission, based on the configuration of the Channel Bandwidth parameter.
Transmitter Output Power	The current operating transmit power of the AP.
Antenna Gain	The configured gain of the external antenna.
Country	The current configured country code, which has an effect on DFS operation and transmits power restrictions. Registered Subscriber Modules will inherit this country code when registration is complete (unless SM is locked to the US region).
Access Point Mode	<p>TDD: The Access Point is operating in point-to-multipoint (PMP) mode using TDD scheduling. The AP can GPS synchronize in this mode (except when in Flexible mode).</p> <p>ePTP Master: The Access Point is operating as a Master in point-to-point mode. The AP does not support GPS Synchronization in this mode but can provide significantly lower latency than other modes. QoS (MIR and traffic priority) capability and Link Quality/Capacity indicators are not available in this mode.</p> <p>PTP: The Access Point is operating in point-to-point (PTP) mode using TDD scheduling. The AP can GPS synchronize in this mode (except when in Flexible mode).</p>
Downlink/Uplink Frame Ratio	The current configured schedule of downlink traffic to uplink traffic on the radio link. In other words, this ratio represents the amount of the total radio link's aggregate throughput that will be used for downlink resources and the amount of the total radio link's aggregate throughput that will be used for uplink resources.
Wireless Security	Currently configured authentication type used for radio link encryption as well as SM authentication.
cnMaestro Remote Management	Indicates whether the device is currently configured to be managed by the Cambium cloud management system - cnMaestro™.
cnMaestro Connection Status	The current management status of the device concerning the Cambium Cloud Server. When Enabled under Configuration > System , the device will be managed by the Cambium Remote Management System, which allows all Cambium devices to be managed from the Cambium Cloud Server.
cnMaestro Account ID	The ID that the device is currently using to be managed by the Cambium Cloud Server.

Attribute	Description
Wireless MAC Address	The MAC address of the device wireless interface.
Ethernet MAC Address	The MAC address of the device Ethernet (LAN) interface.
SFP Port MAC Address	The MAC address of the device SFP interface.
IP Address	The currently configured device IP address (LAN) is used for management access.
IPv6 Link Local Address	A link-local address is required for the IPv6-enabled interface (applications may rely on the link-local address even when there is no IPv6 routing). The IPv6 link-local address is comparable to the auto-configured IPv4 address 169.254.0.0/16.
IPv6 Address	The IPv6 address for device management.
Date and Time	The current date and time on the device, subject to the configuration of the parameter Time Zone .
System Uptime	The total uptime of the radio since the last reset.
System Description	The current configured system description.
Sync Source Status	Displays the current status of sync timing for the AP.
Device Coordinates	The current configured Latitude and Longitude coordinates in decimal format.
DFS Status	<p>N/A: DFS operation is not required for the region configured in parameter Country Code.</p> <p>Channel Availability Check: Before transmitting, the device must check the configured Frequency Carrier for radar pulses for 60 seconds). If no radar pulses are detected, the device transitions to state In-Service Monitoring.</p> <p>In-Service Monitoring: Radio is transmitting and receiving normally while monitoring for radar pulses that require a channel move.</p> <p>Radar Signal Detected: The receiver has detected a valid radar pulse and is carrying out detect-and-avoid mechanisms (moving to an alternate channel).</p> <p>In-Service Monitoring at Alternative Channel: The radio has detected a radar pulse and has moved the operation to a frequency configured in DFS Alternative Frequency Carrier 1 or DFS Alternative Frequency Carrier 2.</p> <p>System Not In Service due to DFS: The radio has detected a radar pulse and has failed channel availability checks on all alternative frequencies. The non-occupancy time for the radio frequencies in which radar was detected is 30 minutes.</p>
Ethernet Status	<p>Up: The Ethernet (LAN) interface is functioning properly. This also displays the current port speed and duplex mode to which the Ethernet port has auto negotiated to or configured.</p> <p>Down: The Ethernet (LAN) interface is either disconnected or has encountered an error and is not servicing traffic.</p>

Attribute	Description
Wireless Status	Up: The radio (WAN) interface is functioning properly Down: The radio (WAN) interface has encountered an error and is not servicing traffic.
SFP Port	Displays the current port speed and duplex mode to which the SFP port has auto-negotiated or displays the current port speed and duplex mode that have been configured manually.
SFP Port Type	Displays the type of SFP module connected to the device.
Registered Subscriber Modules	The total number of SMS currently registered to the AP.
Registered Elevate Subscriber Modules	The total number of ePMP Elevate (third-party software solution) subscribers registered to the AP.

Installation page

See [Using the installation wizard – Access Point](#) and [Using the installation wizard – Subscriber Module](#).

Configuration menu

Use the **Configuration** menu to access all applicable device configuration parameters.

Configuration > Radio page

Figure 53: Configuration > Radio page (Access Point Mode)



Note

The Trial Configuration allows you to try a configuration change without applying the configuration.

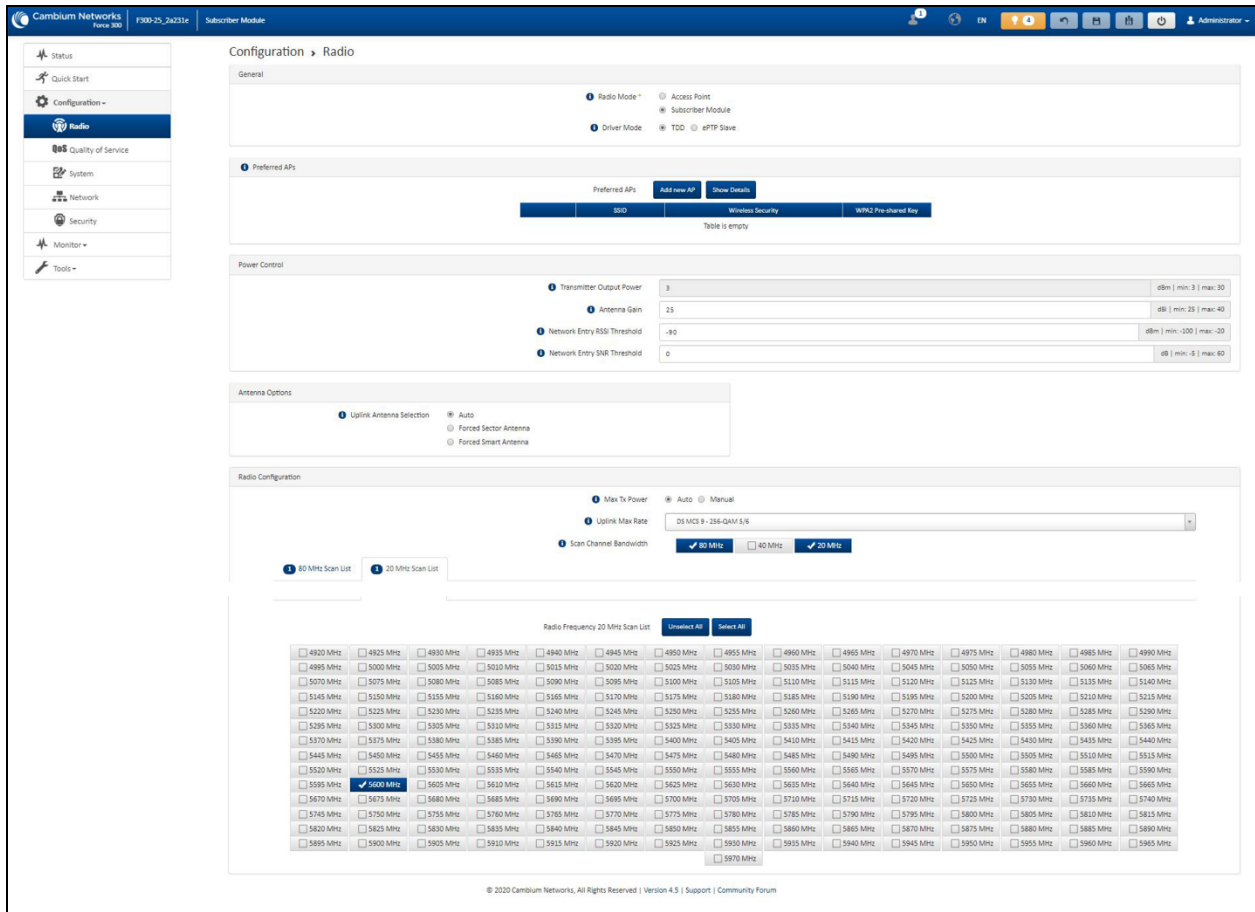


Figure 54: Configuration > Radio page (Subscriber Module Mode)

Table 133 Configuration > Radio page attributes

Attribute	Description
General	
Driver Mode	<p>TDD: The device is operating in point-to-multipoint (PMP) mode using TDD scheduling. The AP can GPS synchronize in this mode.</p> <p>ePTP Slave: The SM is operating as a Slave in point-to-point mode. The AP and the system do not support GPS Synchronization in this mode but can provide significantly lower latency than other modes. QoS (MIR and traffic priority) capability and Link Quality/Capacity indicators are not available in this mode.</p> <p>TDD PTP: The Access Point is operating in point-to-point (PTP) mode using TDD scheduling. The AP can GPS synchronize in this mode.</p>
Radio Mode	<p>Access Point: The unit controls the point-to-point link and its maintenance. On startup, the Access Point transmits until a link with the Subscriber Module is made.</p> <p>Subscriber Module: The unit listens for its peer and only transmits when the peer has been identified.</p>

Attribute	Description
Backward Compatibility (Access Point Mode)	Enabled: 802.11n ePMP subscribers can register to the AP (requires subscriber software upgrade). Disabled: 802.11n ePMP subscribers are not able to register to the AP.
Country (Access Point Mode)	Defines the country code being used by the device. The country code of the Subscriber Module follows the country code of the associated Access Point unless it is an FCC SKU in which case the country code is the United States or Canada. Country code defines the regulatory rules in use for the device.
Range Unit (Access Point Mode)	Units of measurement on the device are displayed in either miles (m) or kilometers (km).
Access Point Configuration (Access Point Mode)	
Antenna (Access Point Mode)	Sector: Panel, 90° or Dual-Horn, 60° Omni: KP-5QSOMNI-13
SSID (Access Point Mode)	SSID is a unique identifier for a wireless LAN which is specified in the Access Point's beacon. (Access Point Mode). SSID must be the same at both ends and different from the site name.
Max Registrations Allowed (Access Point Mode)	Based on sector/network planning and subscriber service level implementations, this parameter allows setting the maximum number of subscribers that are allowed to register/gain network entry. The maximum number of subscribers allowed for each channel bandwidth is as follows: 20/40 MHz: 120 subscribers 10 MHz: 60 subscribers 5 MHz: 30 subscribers The maximum registrations allowed depending on the channel bandwidth of the current Operating Frequency which can be the primary Frequency Carrier or one of the alternate Frequency Carriers. For DFS regions, the maximum number of subscribers is based on the channel bandwidth of the current operating channel, i.e. Frequency Carrier, Alternate Frequency Carrier 1, or Alternate Frequency Carrier 2. The number of Elevate devices that are allowed to register is specified by the applied license.
Max Range (Access Point Mode)	This parameter represents the cell coverage radius. Subscriber Modules outside the configured radius will not be able to connect. It is recommended to configure Max Range to match the actual physical distance of the farthest subscriber.
Channel Bandwidth	Configure the channel size used by the radio for RF transmission.

Attribute	Description
(Access Point Mode)	
Frequency Carrier (Access Point Mode)	Configure the frequency carrier for RF transmission. This list is dynamically adjusted to the regional restrictions based on the setting of the Country parameter. Ensure that a thorough spectrum analysis has been completed before configuring this parameter.
Frequency Reuse (Access Point Mode)	<p>The Frequency Reuse parameter allows operators to define which APs are co-located (or within radio range) with other APs. This definition results in an automatic radio network modification such that self-interference is reduced amongst the co-located sectors.</p> <p>A network in which two frequencies “F1” and “F2” are reused throughout the installation is shown in .</p> <p>Please note, while CMM3 and CMM4 devices cannot be used as synchronization sources for ePMP 3000, the parameter setting suggestions below serve as a guideline for mixed 802.11n and 802.11ac networks.</p> <div data-bbox="443 827 1232 1310" data-label="Diagram"> <p>The diagram illustrates frequency reuse in a network of overlapping Access Point (AP) coverage areas. It shows five overlapping circles, each representing an AP. Each circle is divided into four quadrants by two diagonal lines. The top and bottom quadrants are labeled 'F1' and are shaded green. The left and right quadrants are labeled 'F2' and are shaded yellow. The circles are arranged in a pattern where they overlap significantly, demonstrating how the same two frequencies (F1 and F2) are reused across the network to reduce self-interference.</p> </div> <p>Figure 55: Frequency reuse installation</p> <p>The set of APs to configure the Frequency Reuse option is dependent on the GPS synchronization sources in the whole network, CMM3, CMM4, CMM5, or GPS.</p> <p>OB0BThe GPS sync source is the same on all APs or is a combination of “GPS”, “CMM4”, “CMM5”</p> <p>In this configuration the GPS synchronization source in the whole network is one of the following:</p> <ul style="list-style-type: none"> • GPS • CMM4 • CMM5

Attribute	Description
	<p>The rules in selecting the APs to enable the Frequency Reuse in this installation are:</p> <p>Only ONE of the APs on the same tower configured with the same frequency must be configured with the Frequency Reuse Mode parameter set to Back Sector; the other AP must be configured with Frequency Reuse set to Front Sector.</p> <p>Also, APs on different towers facing each other with overlapped coverage must be configured with Frequency Reuse set to Back Sector.</p> <p>1B1B The GPS sync source is a mixture of all types (“CMM3”, “CMM4”, “CMM5” or “GPS”)</p> <p>In this configuration the GPS sync source in the whole network is one of the following:</p> <ul style="list-style-type: none"> • (CMM3 and GPS) or • (CMM3 and CMM4 / CMM5) or • (CMM3 and CMM4 / CMM5 and GPS) <p>The rules in selecting the APs to configure Frequency Reuse to Front Sector or Back Sector in a mixture of sync sources installations are:</p> <p>Only ONE of the APs on the same tower configured with the same frequency must have Frequency Reuse set to Back Sector if the sync source of both APs is the same or the sync is a combination of GPS and CMM4 / CMM5; the other AP will have the Front Sector ON.</p> <p>For the APs on different towers facing each other with overlapped coverage:</p> <p>If both APs have the same sync source, then only ONE of them must have the Back Sector ON; the other AP shall have the Front Sector ON.</p> <p>If one AP has GPS as sync source and the other one has CMM4 / CMM5 then only ONE of them must have Back Sector ON; the other AP shall have Front Sector ON.</p> <p>If one AP has GPS or CMM4 / CMM5 as sync source and the other one has CMM3 then:</p> <p>If the AP with CMM3 sync source has Back Sector ON, then the other AP (with GPS or CMM4 / CMM5 sync source) must have the Back Sector ON.</p> <p>If the AP with CMM3 sync source has Frequency Reuse set to Off, then the other AP (with GPS or CMM4 CMM5 sync source) must have Frequency Reuse set to Off.</p>
Power Control	
Transmitter Output Power (Access Point Mode)	Transmitter Output Power is the total transmit power of the device. The device has four transmit chains and total transmit power sums the power from all chains. This does not include antenna gain. Transmitter Output Power may be limited by regulatory rules for the country in use.
Antenna Gain	The total gain of the antenna in use by the device.

Attribute	Description
Subscriber Module Target Receive Level (Access Point Mode)	Defines the desired received power level at the AP from the registered Subscriber Module. APs use this parameter to control the transmission power of the Subscriber Module to reduce system self-interference.
Network Entry RSSI Threshold (Subscriber Module Mode)	This defines the Downlink RSSI threshold below which a Subscriber Module will not register to an Access Point.
Network Entry SNR Threshold (Subscriber Module Mode)	This defines the Downlink Signal-to-Noise-Ratio (SNR) threshold below which the Subscriber Module will not register to an Access Point.
Synchronization (Access Point Mode)	
Co-location Mode (Access Point Mode)	<p>Disabled: The ePMP device can synchronize only with other ePMP APs.</p> <p>Enabled: The ePMP device can be configured to synchronize with PMP 100 or PMP 450 series of radios in addition to other ePMP APs. Please refer to the ePMP and PMP 100 Co-location and Migration Recommendations Guide for guidance on synchronizing ePMP and PMP 100. Verify that frame size (ms) is configured equally across the co-located installations.</p>
Synchronization Source (Access Point Mode)	<p>GPS: Synchronization timing is received via the AP's connected GPS antenna. Co-located or in-range APs receiving synchronization via GPS or CMM transmits and receive at the same time, thereby reducing self-interference.</p> <p>CMM5: Synchronization timing is received via the AP's Ethernet port via a connected Cambium Cluster Management Module 5 (CMM5). Co-located or in-range APs receiving synchronization via GPS or CMM will transmit and receive at the same time, thereby reducing self-interference. For more information on CMM configuration, refer to the PMP Synchronization Solutions User Guide.</p> <p>If a CMM is being used, verify that the cables from the CMM to the network switch are at most 30 ft (shielded) or 10 ft (unshielded) and that the network switch is not PoE (802.3af).</p> <p>Internal: Synchronization timing is generated by the AP and the timing is not based on GPS pulses.</p> <p>APs using Synchronization Source of Internal will not transmit and receive in sync with other co-located or in-range APs, which introduces self-interference into the system.</p>

Attribute	Description
Synchronization Holdoff Time (Access Point Mode)	The Synchronization Holdoff Time is designed to gracefully handle fluctuations/losses in the GPS synchronization signaling. After the AP has received a reliable synchronization pulse for at least 60 seconds, if there is a loss of synchronization signal, the Synchronization Holdoff timer is started. During the holdoff interval, all SM registrations are maintained. If a valid GPS synchronization pulse is regained during the holdoff interval, then the AP continues to operate normally. If a valid synchronization pulse is not regained from the GPS source during the holdoff interval, then the AP ceases radio transmission. The default is 30 seconds .
Preferred Access Points (Subscriber Module Mode)	
Preferred Access Points list (Subscriber Module Mode)	The Preferred Access Points List is comprised of a list of up to 16 Access Point devices to which the Subscriber Module device sequentially attempts registration. For each Access Point configured, if authentication is required, enter the Wireless Security type and WPA2 Pre-shared Key associated with the configured SSID .
Scheduler (Access Point Mode)	
Downlink/Uplink Ratio (Access Point Mode)	The schedule of downlink traffic to uplink traffic on the radio link. The three options, 75/25 , 50/50 , and 30/70 , allow the radio to operate in a fixed ratio on every frame. In other words, this ratio represents the amount of the total radio link's aggregate throughput that will be used for downlink resources, and the amount of the total radio link's aggregate throughput that will be used for uplink resources.
Guard interval (Access Point Mode)	The purpose of the guard interval is to introduce immunity to propagation delays, echoes, and reflections, to which digital data is normally very sensitive. Longer guard periods allow more distant echoes to be tolerated. However, longer guard intervals reduce channel efficiency.
Downlink Max Rate (Access Point Mode)	Specifies the maximum downlink MCS value that the Rate Adapt algorithm will choose for Radio 1. If an installation is exhibiting packet loss due to downlink interference, modifying Downlink Max Rate to limit the device's maximum MCS rate may result in more reliable packet delivery. This is especially true in installations among changing and unpredictable interference. Note: This setting is not available when the AP is set to ePTP Master mode.
Radio Configuration	
Max Tx Power (Subscriber Module Mode)	Auto: The Access Point can control, using ATPC (Automatic Transmit Power Control), the TX power of the Subscriber Module up to the maximum capability of the Subscriber Module's transmitter (based on regulatory limits). Manual: The Access Point can control the TX power of the Subscriber Module up to the value configured in the Transmitter Power field.
Transmitter Output Power (Subscriber Module Mode)	The total transmit power of the radio interface. The device has four transmit chains for each channel and total transmit power sums the power from all chains. This does not include antenna gain. Transmitter Output Power may be limited by regulatory rules for the country in use.

Attribute	Description
Uplink Max Rate (Subscriber Module Mode)	Specifies the maximum uplink MCS value that the Rate Adapt algorithm will choose for Radio 1. If an installation is exhibiting packet loss due to uplink interference, modifying Uplink Max Rate to limit the device's maximum MCS rate may result in more reliable packet delivery. This is especially true in installations among changing and unpredictable interference. Note: This setting is not available when the SM is set to ePTP Slave mode.
Scan Channel Bandwidth (Subscriber Module Mode)	The selected scan channel bandwidths are scanned by the Subscriber Module. Any combination may be selected. When bandwidth is selected, a tab for the bandwidth appears and a listing of all available channels is presented once the tab for the bandwidth is selected. Each bandwidth tab may contain a number on the left side. This number defines how many channels have been selected for that bandwidth. If no channels are selected for bandwidth, then all channels are scanned.

Configuration > Quality of Service (QoS)

AP Quality of Service Page

The ePMP platform supports three QoS priority levels (not available in ePTP Master mode) using air fairness, priority-based starvation avoidance scheduling algorithm.

Ordering of traffic amongst the priority levels is based on a percentage of total link throughput. In other words, all priorities receive some throughput so that low priority traffic is not starved from the transmission. In effect, the greatest amount of throughput is guaranteed to the VOIP priority level, then High, then Low.

Priority Level	ePMP Traffic Priority Label
Highest Priority	VOIP (only utilized when VOIP Enable is set to Enabled)
Medium Priority	High
Lowest Priority	Low

By default, all traffic passed over the air interface is a low priority. The AP's Quality of Service page may be utilized to map traffic to certain priority levels using QoS classification rules. The rules included in the table are enforced starting with the first row of the table.



Warning

Each additional traffic classification rule increases device CPU utilization. Careful network traffic planning is required to efficiently use the device processor.

The ePMP platform also supports radio data rate-limiting (Maximum Information Rate, or MIR) based on the configuration of the MIR table. Operators may add up to 16 MIR profiles on the AP, each with unique limits for uplink and downlink data rates. The SM field **MIR Profile Setting** is used to configure the appropriate MIR profile for limiting the SM's data rate.

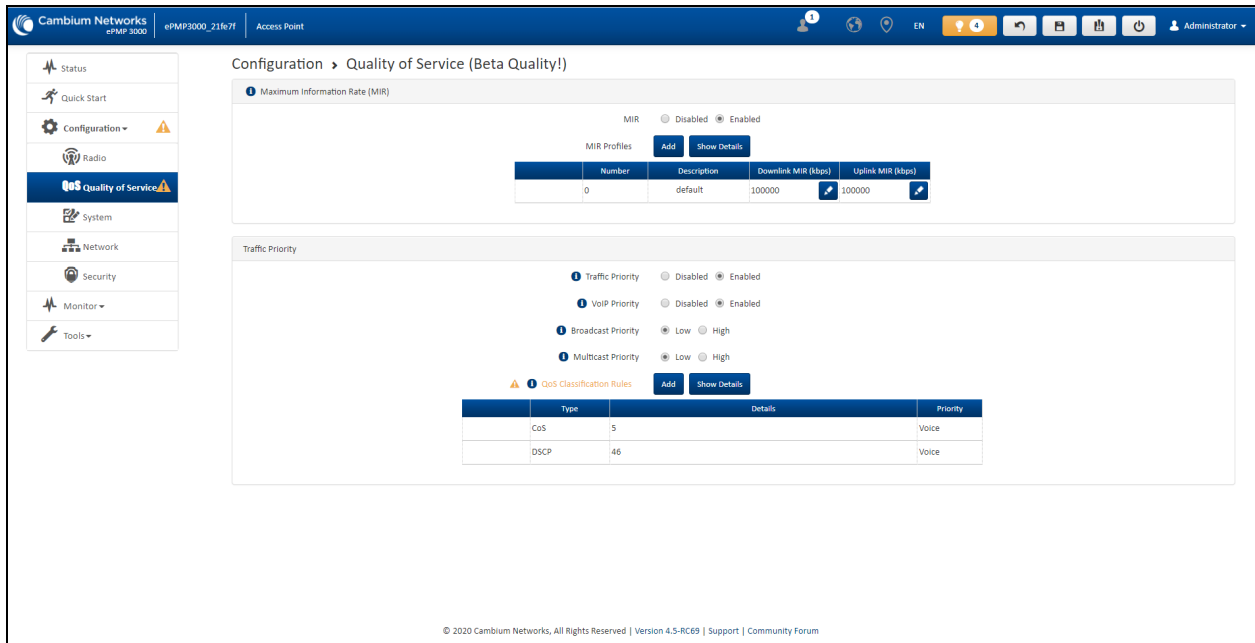


Figure 56: Configuration > AP Quality of Service page

Table 134 AP Radio Configuration attributes

Attribute	Description
Maximum Information Rate (MIR)	
MIR	<p>Disabled: When disabled, RF transmission is only limited by the capacity of the link (and any active QoS classification rules).</p> <p>Enabled: When enabled, all downlink and uplink traffic is limited based on the profiles configured in the MIR table.</p>
MIR Profiles	The MIR (Maximum Information Rate) table is comprised of up to sixteen profiles which, after configured, may be set on the SM to employ a certain service level or data rate.
Number	Assign a profile number to each row in the AP MIR table. This profile number is then set on each SM to limit data transfer rates based on the operator's configuration of the MIR table and its profiles.
Description	Assign a logical description for each service level. For example, a tiered service-level provider may deploy service levels "Gold", "Silver" and "Bronze" or "20 Mbps", "10 Mbps" and "5 Mbps" to offer a clear description.
Downlink MIR (kbps)	Specify the downlink rate at which the AP is allowed to transmit for this configured profile.
Uplink MIR (kbps)	Specify the uplink rate at which the AP is allowed to transmit for this configured profile.
Traffic Priority	

Attribute	Description
Traffic Priority	<p>Disabled: No traffic prioritization is performed. All traffic is treated with equal priority (low priority).</p> <p>Enabled: Traffic prioritization is enabled, and specific types of traffic can be prioritized using the fields below.</p>
VoIP Priority	<p>Enabled: When enabled, two entries are automatically added to the first and second rows of the QoS Classification Rules table, one with Rule Type CoS (5) and one with Rule Type DSCP (46). The addition of these rules ensures that VoIP traffic passed over the radio downlink is given the highest priority. The CoS and DSCP values may be modified to accommodate non-standard VoIP equipment.</p> <p>Disabled: When disabled, VoIP traffic is scheduled normally along with all other user data.</p>
Broadcast Priority	<p>Low Priority: All Broadcast traffic sent over the downlink is prioritized as low priority and is delivered to the SM after scheduled high priority and VoIP traffic.</p> <p>High Priority: All Broadcast traffic sent over the downlink is prioritized as a high priority and is scheduled for delivery to SMs before low priority traffic but after VoIP traffic.</p>
Multicast Priority	<p>Low Priority: All Multicast traffic sent over the downlink is prioritized as low priority and will be delivered to the SM after scheduled high priority and VoIP traffic.</p> <p>High Priority: All Multicast traffic sent over the downlink is prioritized as a high priority and is scheduled for delivery to SMs before low priority traffic but after VoIP traffic.</p>
QoS Classification Rules	<p>The QoS Classification Rules table contains all of the rules enforced by the device when passing traffic over the radio downlink. Traffic passed through the device is matched against each rule in the table; when a match is made the traffic is sent over the radio link using the priority defined in column Traffic Priority.</p>
Type	<p>CoS: Class of Service; traffic prioritization is based on the 3-bit header present in the 802.1Q VLAN-tagged Ethernet frame header in the packet entering the AP's Ethernet port.</p> <p>VLAN ID: traffic prioritization is based on the VLAN ID of the packet entering the AP's Ethernet port.</p> <p>EtherType: traffic prioritization is based on the two-octet Ethertype field in the Ethernet frame entering the AP's Ethernet port. The Ethertype is used to identify the protocol of the data in the payload of the Ethernet frame.</p> <p>IP: traffic prioritization is based on the source and (or) destination IP address of the packet entering the AP's Ethernet port. A subnet mask may be included to define a range of IP addresses to match.</p> <p>MAC: traffic prioritization is based on the source and (or) destination MAC address of the packet entering the AP's Ethernet port. A mask may be included to define a range of MAC addresses to match. The mask is made up of a hex representation of a series of 1s to start the mask and 0s that end the mask. A 1 may not follow a 0. Thus FF:FF:FF:FF:00:00 is allowed, but FF:00:FF:FF:FF:FF is not. The MAC address is combined with the mask to define the range of allowed MAC addresses.</p>

Attribute	Description
Details	Represents the details of the Class of Service (CoS) present in the packet entering the AP's Ethernet port.
Priority	Represents the QoS classification rule priority.

SM Quality of Service page

The ePMP platform supports three QoS priority levels (not available in ePTP Master mode) using air fairness, priority-based starvation avoidance scheduling algorithm.

Ordering of traffic amongst the priority levels is based on a percentage of total link throughput. In other words, all priorities receive some throughput so that low priority traffic is not starved from the transmission. In effect, the greatest amount of throughput is guaranteed to the VOIP priority level, then High, then Low.

Priority Level	ePMP Traffic Priority Label
Highest Priority	VOIP (only utilized when VOIP Enable is set to Enabled)
Medium Priority	High
Lowest Priority	Low

By default, all traffic passed over the air interface is a low priority. The SM's Quality of Service page may be utilized to map traffic to certain priority levels using QoS classification rules. The rules included in the table are enforced starting with the first row of the table.



Warning

Each additional traffic classification rule increases device CPU utilization. Careful network traffic planning is required to efficiently use the device processor.

The ePMP platform also supports radio data rate-limiting (Maximum Information Rate, or MIR) based on the configuration of the MIR table. Operators may add up to 16 MIR profiles on the AP, each with unique limits for uplink and downlink data rates. The SM field **MIR Profile Setting** is used to configure the appropriate MIR profile for limiting the SM's data rate.

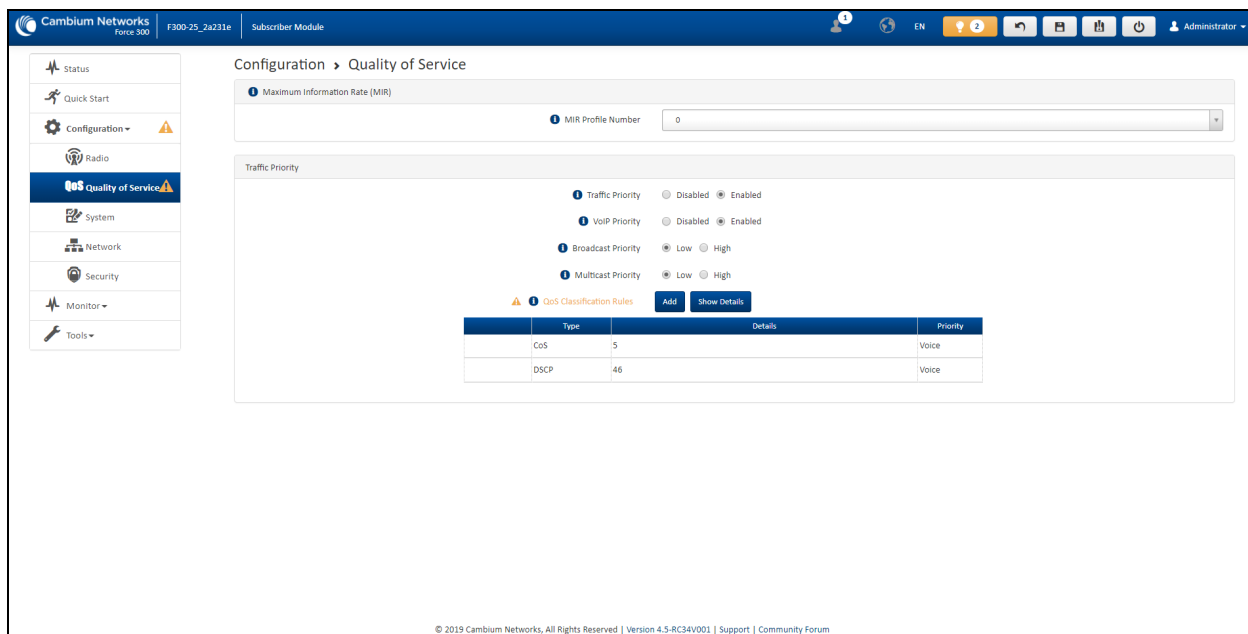


Figure 57: Configuration > SM Quality of Service page

Table 135 SM Quality of Service attributes

Attribute	Description
Maximum Information Rate (MIR)	
MIR Profile Number	Configure the desired MIR (Maximum Information Rate) profile for SM operation. This profile must be configured on the AP else the default profile (0) is used.
Traffic Priority	<p>Enabled: The QoS Classification Rules table is editable and is utilized by the device to classify traffic.</p> <p>Disabled: The QoS Classification Rules table is greyed out and all traffic is sent at one priority level.</p>
VoIP Priority	<p>Enabled: When enabled, two entries are automatically added to the first and second rows of the QoS Classification Rules table, one with Rule Type CoS (5) and one with Rule Type DSCP (46). The addition of these rules ensures that VoIP traffic passed over the radio downlink is given the highest priority. The CoS and DSCP values may be modified to accommodate non-standard VoIP equipment.</p>
Broadcast Priority	<p>Low Priority: All Broadcast traffic sent over the uplink is prioritized as low priority and is delivered to the AP after scheduled high priority and VoIP traffic.</p> <p>High Priority: All Broadcast traffic sent over the uplink is prioritized as a high priority and is scheduled for delivery to the AP before low priority traffic but after VoIP traffic.</p>
Multicast Priority	<p>Low Priority: All Multicast traffic sent over the uplink is prioritized as low priority and is delivered to the AP after scheduled high priority and VoIP traffic.</p> <p>High Priority: All Multicast traffic sent over the uplink is prioritized as a high priority and is scheduled for delivery to the AP before low priority traffic but after VoIP traffic.</p>

Attribute	Description
Subscriber Module Priority	<p>Normal: SM gives priority to the packets as defined in the rules which could be "Low", "High", or "VoIP". "Normal" priority will allow data to be added to the appropriate "High", "Low", and "VoIP" queues based on the QoS rules. This is the default setting. If no rule is defined for a packet, then the packet priority will be "Low".</p> <p>High: SM places all data other than VoIP in the "High" queue. It will be given higher priority than SMs configured with "Low" and "Normal" when there is contention for bandwidth under the AP.</p> <p>Low: "Low" priority will place all data that is not VoIP in the "Low" priority queue. It will be given lower priority than SMs configured with "High" when there is contention for bandwidth under the same AP.</p> <p>"VoIP" queue is the highest priority queue followed by the "High" queue and then by the "Low" queue. Higher priority queues have preference over lower priority queues but will not starve them.</p>
QoS Classification Rules	<p>The QoS Classification Rules table contains all of the rules enforced by the device when passing traffic over the radio downlink. Traffic passed through the device is matched against each rule in the table; when a match is made the traffic is sent over the radio link using the priority defined in column Traffic Priority.</p>
Type	<p>DSCP: Differentiated Services Code Point; traffic prioritization is based on the 6-bit Differentiated Services field in the IP header present in the packet entering the Ethernet port.</p> <p>CoS: Class of Service; traffic prioritization is based on the 3-bit header present in the 802.1Q VLAN-tagged Ethernet frame header in the packet entering the SM's Ethernet port.</p> <p>VLAN ID: Traffic prioritization is based on the VLAN ID of the packet entering the SM's Ethernet port.</p> <p>EtherType: Traffic prioritization is based on a 2 octet Ethertype field in the Ethernet frame entering the SM's Ethernet port. The Ethertype is used to identify the protocol of the data in the payload of the Ethernet frame.</p> <p>IP: Traffic prioritization is based on the source and/or destination IP addresses of the packet entering the SM's Ethernet port. A subnet mask may be included to define a range of IP addresses to match.</p> <p>MAC: Traffic prioritization is based on the source and/or destination MAC addresses of the packet entering the SM's Ethernet port. A mask may be included to define a range of MAC addresses to match. The mask is made up of a hex representation of a series of 1s to start the mask and 0s that end the mask. A 1 may not follow a 0. Thus, FF:FF:FF:FF:00:00 is allowed, but FF:00:FF:FF:FF:FF is not. The MAC address is combined with the mask to define the range of allowed MAC addresses.</p>
Details	<p>The Rule Details column is used to further configure each classification rule specified in column Rule Type.</p>
Priority	<p>High: Traffic entering the SM's Ethernet port is prioritized as "high priority" for sending over the radio link (traffic will be sent after VOIP-classified traffic but before Low-classified traffic).</p>

Attribute	Description
	Low: Traffic entering the SM's Ethernet port is prioritized as "low priority" for sending over the radio link (traffic will be sent after VOIP-classified and High-classified traffic is sent).

Configuration > System page

The screenshot shows the 'Configuration > System' page in the Cambium Networks interface. The page is organized into several sections:



- General:** Includes fields for Device Name (F300-25_2a231a), Display Device Name Before Login (Disabled/Enabled), Inactive Logout (Disabled/Enabled), Inactive Logout Period (10 minutes), Web-page Auto Update (5 sec), and Range Unit (Miles/Kilometers). It also has checkboxes for Web Access (HTTP/HTTPS), HTTP Port (80), SSH Access (Disabled/Enabled), SSH Server Port (22), Telnet Access (Disabled/Enabled), Telnet Server Port (23), MAC/Telnet Access (Disabled/Enabled), and MAC/Telnet Protocol (MAC/Telnet/MAC-SSH).
- Network Time Protocol (NTP):** Includes NTP Server IP Assignment (Static/DHCP), Preferred NTP Server (0.in.pool.ntp.org), Alternate NTP Server (1.in.pool.ntp.org), and Time Zone (UTC+05:30 IST - India Standard Time).
- Simple Network Management Protocol (SNMP):** Includes Read-Only Community String (public), Read-Write Community String (private), System Name (CambiumNetworks), System Description, System Location, Traps (Disabled/Enabled), and Trap Community String (cambiumtrap).
- Location Services:** Includes Device Latitude, Device Longitude, Device Height, and Device Location (with an 'Open in Google Maps' button).
- System Logging (Syslog):** Includes Server 1-4 fields and a Syslog Mask section with checkboxes for Info, Notices, Warnings, Errors, Alerts, and Emergency.
- cnMaestro:** Includes Remote Management (Disabled/Enabled), cnMaestro URL (cloud.cambiumnetworks.com), Cambium ID, and Onboarding Key.
- Account Management:** Includes Administrator Account (Disabled/Enabled) with Username (admin) and Password, Home User Account (Disabled/Enabled) with Username (home) and Password, Installer Account (Disabled/Enabled) with Username (installer) and Password, and Read-Only Account (Disabled/Enabled) with Username (readonly) and Password.


Figure 58: Configuration > System page parameters




Table 136 Configuration > System page attributes

Attribute	Description
General	
Device Name	The configured identifier is used in an NMS such as cnMaestro.
Display Device Name Before Login	Disabled: For security, the configured Device Name is hidden on the device login screen. Enabled: The configured Device Name is displayed upper-left on the device login screen.

Attribute	Description
Inactive Logout	Disabled: The device will not automatically log out users after a period of inactivity. Enabled: After the period configured in the Inactive Logout Period has elapsed, the device will automatically log out the user.
Inactive Logout Period	Represents the amount of time for which a user will remain logged in. After this period has elapsed, the user will be automatically logged out.
Web-page Auto Update	Configure the interval for which the device retrieves system statistics for display on the management interface. For example, if this setting is configured to 5 seconds, the statistics and status parameters displayed on the management interface will be refreshed every 5 seconds (default). Webpage Auto Update is a session-only configuration change. It is updated with the <Enter> key and is not savable when using the save button.
Range Unit	Units of measurement on the device are displayed in either miles (m) or kilometers (km).
Web Access	HTTP: The device's web management interface is accessed via HTTP. HTTPS: The device's web management interface may only be accessed via secure HTTPS.
HTTP Port	This specifies the TCP/UDP port to be used with HTTP or HTTPS. The default value for HTTP is 80 and HTTPS is 443.
SSH Access	Disabled: Access to the device through SSH is not possible. Enabled: Cambium engineers can access the device through SSH which enables them to log in to the radio and troubleshoot. SSH Access is Enabled by default.
Telnet Access	Disabled: Command Line Interface access via Telnet is not allowed Enabled: Command Line Interface access via Telnet is allowed
Network Time Protocol (NTP)	
NTP Server IP Assignment	Static: The device retrieves NTP time data from the servers configured in fields NTP Server IP Address. DHCP: The device retrieves NTP time data from the server IP issued via a network DHCP server.
Preferred NTP Server	Configure the primary NTP server IP addresses from which the device will retrieve time and date information.
Alternate NTP Server	Configure alternate or secondary NTP server IP addresses from which the device retrieves time and date information.
Time Zone	The Time Zone option may be used to offset the received NTP time to match the operator's local time zone.
Location Services	
On-board GPS Latitude	GPS-retrieved Latitude information for the device in decimal format.

Attribute	Description
On-board GPS Longitude	GPS-retrieved Longitude information for the device in decimal format.
On-board GPS Height	GPS-retrieved height information for the device in meters.
Use GPS Coordinates 	Click Update to retrieve device location and height information via the connected GPS source.
Device Latitude	Configure Latitude information for the device in decimal format.
Device Longitude	Configure Longitude information for the device in decimal format.
Device Height	Configure height above sea level for the device in meters.
Device Location 	Hyperlink to display the device location in Google Maps
Simple Network Management Protocol (SNMP)	
Read-Only Community String	Specify a control string that can allow a Network Management Station (NMS) to read SNMP information. No spaces are allowed in this string. This password will never authenticate an SNMP user or an NMS to read/write access. The Read-only Community String value is clear text and is readable by a packet monitor.
Read-Write Community String	Specify a control string that can allow a Network Management Station (NMS) to access SNMP information. No spaces are allowed in this string.
System Name	Specify a string to associate with the physical module. This parameter can be polled by the NMS. Special characters are supported.
System Description	Specify a description string to associate with the physical module. This parameter can be polled by the NMS. Special characters are supported.
System Location	Specify a description string to associate with the physical location. This parameter can be polled by the NMS. Special characters are supported.
Traps	Disabled: SNMP traps for system events are not sent from the device. Enabled: SNMP traps for system events are sent to the servers configured in table Trap Servers .

Attribute	Description
Trap Community String	Configure an SNMP Trap Community String which is processed by the servers configured in Trap Servers . This string is used by the trap server to decide whether or not to process the traps incoming from the device (i.e. for traps to successfully be received by the trap server, the community string must match).
System Logging (Syslog)	
Server 1-4	Specify up to four Syslog servers to which the device sends Syslog messages.
Syslog Mask	Configure the levels of Syslog messages which the devices send to the servers configured in parameters Server 1-4 . Caution Choose only the Syslog levels appropriate for your installation. Excessive logging can cause the device log file to fill and begin overwriting previous entries.
cnMaestro	
Remote Management	When Enabled , the device will be managed by cnMaestro - the Cambium Remote Management System, which allows all Cambium devices to be managed in the cloud.
cnMaestro URL	Configure the URL of cnMaestro. The default value is https://cloud.cambiumnetworks.com .
Cambium ID	Configure the Cambium ID that the device will use for onboarding on to cnMaestro.
Onboarding Key	Configure the password/key associated with the Cambium-ID that the device will use for onboarding on to cnMaestro.
Account Management	
Administrator Account	The Administrator account has full read and write permissions for the device. Disabled: The disabled user is not granted access to the device management interface. The administrator user level cannot be disabled. Enabled: The user is granted access to the device management interface.
Username	The username associated with the administrator account is used upon device login.
Password	Configure a custom password to secure the device. Only the 'Administrator' account can override this password. The password character display may be toggled using the visibility icon  .
Installer Account	The Installer account has permissions to read and write parameters applicable to unit installation and monitoring. Disabled: The disabled user is not granted access to the device management interface. Enabled: The user is granted access to the device management interface.
Username	The username associated with the installer account used upon device login.

Attribute	Description
Password	Configure a custom password to secure the device. Only the 'Administrator' account can override this password. The password character display may be toggled using the visibility icon  .
Home User Account	The Home User account has permission to access pertinent information for support purposes. Disabled: The disabled user is not granted access to the device management interface. Enabled: The user is granted access to the device management interface.
Username	The username associated with the home user account is used upon device login.
Password	Configure a custom password to secure the device. Only the 'Administrator' account can override this password. The password character display may be toggled using the visibility icon  .
Read-Only Account	The Read-Only account has permission to view the Monitor page only. Disabled: The disabled user is not granted access to the device management interface. Enabled: The user is granted access to the device management interface.
Username	The username associated with the read-only account used upon device login.
Password	Configure a custom password to secure the device. Only the 'Administrator' account can override this password. The password character display may be toggled using the visibility icon  .

Configuration > Network page

The screenshot shows the Configuration > Network page for a Cambium Networks vPro 3000 device in Access Point Mode. The interface is divided into several sections:

- General:** IP Assignment is set to DHCP. IP Address is 192.168.0.1, Subnet Mask is 255.255.255.0, Gateway is blank, Preferred DNS Server is blank, and Alternate DNS Server is blank.
- Virtual Local Area Network (VLAN):** Management VLAN is Disabled. Management VLAN ID is 1 (min: 1, max: 4094). Management VLAN Priority is blank (min: 0, max: 7).
- Ethernet Port:** Ethernet MTU is 1538 bytes (min: 576, max: 1700). Port Setting is Auto-negotiate. Smart speed is Disabled.
- SPF Port:** SPF Port Settings are Manual.
- Advanced:** IPv6 Support, Spanning Tree Protocol, Management Access, SM Traffic Isolation, DHCP Option 82, LLDP, LLDP Mode, and IPFOD Intermediate Agent are all Disabled. Unicast packets with unknown MAC address are Disabled.
- Broadcast/Multicast Traffic Shaping:** Broadcast Packet Limit is Disabled. Broadcast Packet Rate is 100 pps (min: 100, max: 16000). Reliable Multicast is Disabled. DHCPv2 Post-Leave Support is Disabled.

© 2020 Cambium Networks. All Rights Reserved | Version 4.9-RC68 | Support | Community Forum

Figure 59: Configuration > Network page (Access Point Mode)

The screenshot shows the Configuration > Network page for a Cambium Networks Force 220 device in Subscriber Module mode. The interface is divided into several sections:

- General:** Network Mode is NAT. IP Assignment is Static. IP Address is 10.120.223.110, Subnet Mask is 255.255.255.0, Gateway is 10.120.223.254, Preferred DNS Server is 10.120.12.169, and Alternate DNS Server is 10.120.12.170. Ethernet Port Security is Disabled. Secure MAC Limit is 5 (min: 1, max: 2047). MAC Aging Time is 300 seconds (min: 0, max: 1440).
- Virtual Local Area Network (VLAN):** Management VLAN is Disabled. Management VLAN ID is blank (min: 1, max: 4094). Management VLAN Priority is blank (min: 0, max: 7). Data VLAN is Disabled. Data VLAN ID is blank (min: 1, max: 4094). Data VLAN Priority is blank (min: 0, max: 7). Membership VLANs table is empty. VLAN Mapping table is empty.
- Ethernet Port:** Ethernet MTU is 1538 bytes (min: 576, max: 1700). Ethernet Port is Disabled. Port Setting is Auto-negotiate.
- Advanced:** IPv6 Support, ARP-NAT, Spanning Tree Protocol, DHCP Server Below 5M, LLDP, and LLDP Mode (Receive and Transmit) are all Disabled.
- Broadcast/Multicast Traffic Shaping:** Broadcast Packet Limit is Disabled. Broadcast Packet Rate is 1000 pps (min: 100, max: 16000). Multicast Group Limit is 3 (min: 0, max: 5). Multicast VLAN is Disabled. Multicast VLAN ID is blank (min: 1, max: 4094). Multicast VLAN Priority is blank (min: 0, max: 7).

Figure 60: Configuration > Network page (Subscriber Module Mode, Bridge Network Mode)

The screenshot displays the 'Configuration > Network' page in the Cambium Networks F300-25_26231e Subscriber Module. The interface is divided into several sections for configuring network parameters:

- General:**
 - Network Mode: NAT Bridge Router
 - Wireless IP Assignment: Static DHCP
 - Wireless IP Address: 192.168.0.4
 - Wireless Subnet Mask: 255.255.255.0
 - Wireless Gateway: [Empty]
 - Preferred DNS Server: [Empty]
 - Alternate DNS Server: [Empty]
 - Ethernet Port Security: Disabled Enabled
 - Secure MAC Limit: 5 (min: 1 | max: 2047)
 - MAC Aging Time: 300 (seconds | min: 0 | max: 1440)
- Ethernet Interface:**
 - IP Address: 10.1.1.254
 - Subnet Mask: 255.255.255.0
 - DHCP Server: Disabled Enabled
 - DHCP Start IP: 10.1.1.1 (ip | min: 10.1.1.1)
 - DHCP End IP: 10.1.1.10 (ip | max: 10.1.1.254)
 - Preferred DHCP DNS Server: [Empty]
 - Alternate DHCP DNS Server: [Empty]
 - DHCP Lease Time: 24 (hours | min: 1 | max: 24)
- Separate Wireless Management Interface:**
 - Separate Management IP: Disabled Enabled
 - IP Assignment: Static DHCP
 - IP Address: [Empty]
 - Subnet Mask: 255.255.255.0
 - Gateway: [Empty]
 - Separate Management VLAN: Disabled Enabled
 - VLAN ID: [Empty] (min: 1 | max: 4094)
- Virtual Local Area Network (VLAN):**
 - VLAN (Management + Data): Disabled Enabled
 - VLAN ID: [Empty] (min: 1 | max: 4094)
 - VLAN Priority: [Empty] (min: 0 | max: 7)
- Ethernet Port:**
 - Ethernet MTU: 1538 (bytes | min: 576 | max: 1700)
 - Ethernet Port: Disabled Enabled
 - Port Setting: Manual Auto-Negotiate
 - Smart Speed: Disabled Enabled
- Port Forwarding:**
 - UPnP IGD: Disabled Enabled
 - NAT PMP (PCP): Disabled Enabled
 - Data Port Forwarding: Disabled Enabled
- Point-to-Point Protocol over Ethernet (PPPoE):**
 - PPPoE: Disabled Enabled
 - Service Name: temp
 - Access Concentrator: Cambium
 - Authentication: ALL PAP CHAP
 - Username: [Empty]
 - Password: [Empty]
 - MTU Size: 1492 (bytes | min: 576 | max: 1492)
 - Keep Alive Time: 10 (min: 0 | max: 180)
 - Connection Attempts: 5 (min: 0 | max: 15)
 - MSS Clamping: Disabled Enabled
- Advanced:**
 - IPv6 Support: Disabled Enabled
 - Spanning Tree Protocol: Disabled Enabled
 - DHCP Option 66: Disabled Enabled
 - DHCP Server Below SM: Disabled Enabled
 - NAT Helper For SIP: Disabled Enabled
 - LLDP: Disabled Enabled
 - LLDP Mode: Receive and Transmit Receive only
 - De-Militarized Zone (DMZ):
 - DMZ: Disabled Enabled
 - IP Address: [Empty]
 - Allow ICMP to DMZ: Disabled Enabled

© 2020 Cambium Networks, All Rights Reserved | Version 4.5 | Support | Community Forum

Figure 61: Configuration > Network page (Subscriber Module Mode, NAT Network Mode)

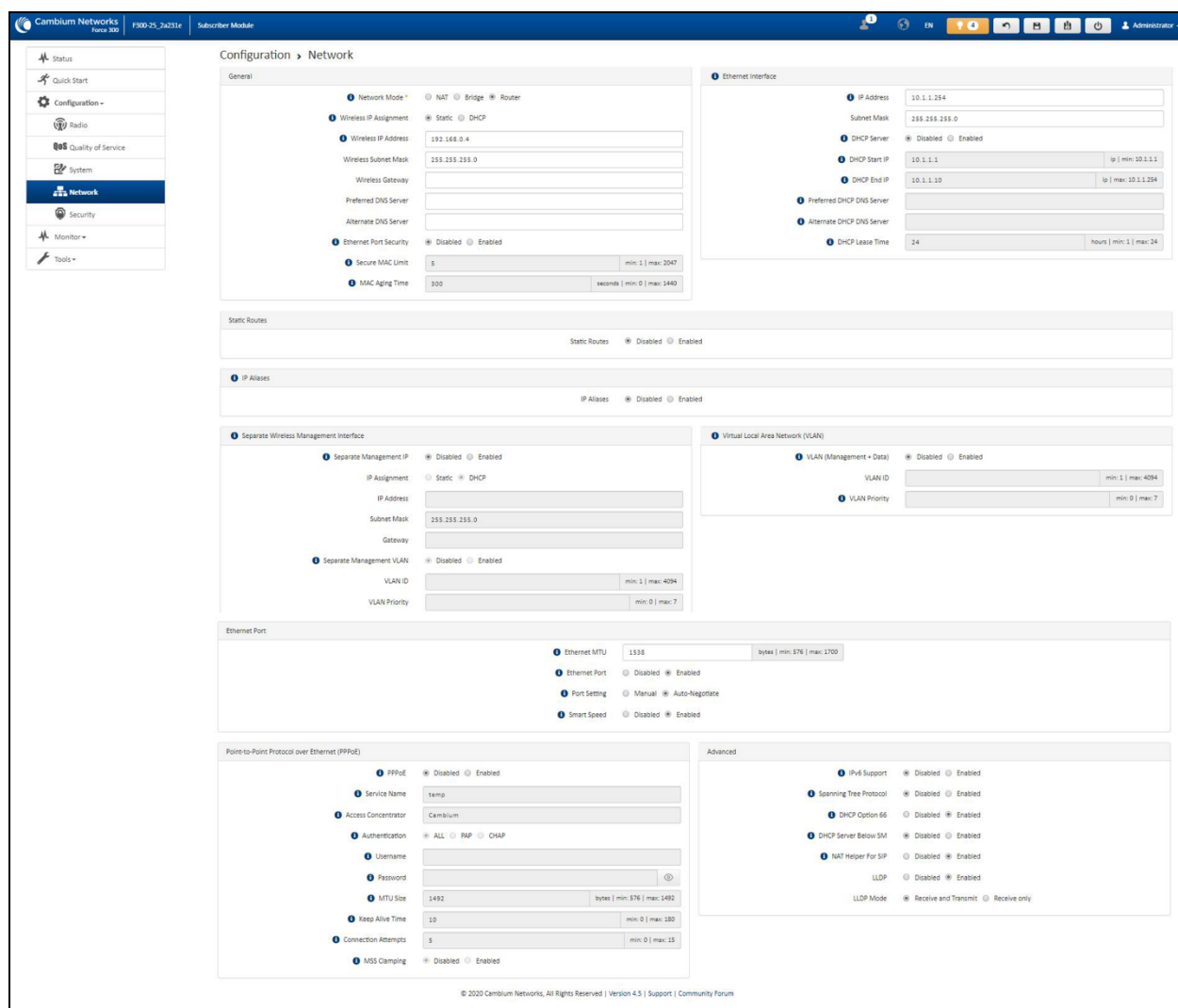


Figure 62: Configuration > Network page (Subscriber Module Mode, Router Mode)

Table 137 Configuration > Network page attributes

Attribute	Description
General	
Network Mode	<p>NAT: The SM acts as a router and packets are forwarded or filtered based on their IP header (source or destination).</p> <p>Bridge: The SM acts as a switch and packets are forwarded or filtered based on their MAC destination address.</p> <p>Router: The SM acts as a router and packets are forwarded or filtered based on their IP header (source or destination) using specific static routes and IP aliases configured by the operator.</p>

Attribute	Description
IP Assignment	<p>Static: Device management IP addressing is configured manually in fields IP Address, Subnet Mask, Gateway, Preferred DNS Server, and Alternate DNS Server.</p> <p>DHCP: Device management IP addressing (IP address, Subnet Mask, Gateway, and DNS Server) is assigned via a network DHCP server, and parameters IP Address, Subnet Mask, Gateway, Preferred DNS Server, and Alternate DNS Server are not configurable.</p>
Wireless IP Assignment (NAT Mode, Router Mode)	<p>Static: Wireless IP address is configured manually in fields Wireless IP Address, Wireless IP Subnet Mask, Wireless Gateway IP Address, Preferred DNS IP Address, and Alternate DNS IP Address.</p> <p>DHCP: Device management IP addressing (Wireless IP address, Wireless Subnet mask, Wireless Gateway, and DNS server) is assigned via a network DHCP server.</p>
IP Address Wireless IP Address (NAT Mode, Router Mode)	<p>Internet protocol (IP) address. This address is used by the family of Internet protocols to uniquely identify this unit on a network.</p> <p>If IP Address Assignment is set to DHCP and the device is unable to retrieve IP address information via DHCP, the device management IP is set to fallback IP 192.168.0.1 (Access Point) or 192.168.0.2 (Subscriber Module).</p>
Subnet Mask Wireless IP Address (NAT Mode, Router Mode)	<p>Defines the address range of the connected IP network. For example, if Device IP Address (LAN) is configured to 192.168.2.1 and IP Subnet Mask (LAN) is configured to 255.255.255.0, the device will belong to subnet 192.168.2.X.</p>
Gateway Wireless Gateway (NAT Mode, Router Mode)	<p>Configure the IP address of the device on the current network that acts as a gateway. A gateway acts as an entrance and exit to packets from and to other networks.</p>
Preferred DNS Server	<p>Configure the primary IP address of the server used for DNS resolution.</p>
Alternate DNS Server	<p>Configure the secondary IP address of the server used for DNS resolution.</p>
IPv6 Assignment	<p>IPv6 Assignment specifies how the IPv6 address is obtained.</p> <p>Static: Device management IP addressing is configured manually in fields IPv6 Address and IPv6 Gateway.</p> <p>DHCPv6: Device management IP addressing (IP address and gateway) is assigned via a network DHCP server, and parameters IPv6 Address and IPv6 Gateway are unused. If the DHCPv6 server is not available previous static IPv6 address will be used as a fallback IPv6 address. If no previous static IPv6 address is available, no IPv6 address will be assigned. DHCPv6 will occur over the wireless interface by default.</p>
IPv6 Address	<p>Internet protocol version 6 (IPv6) address. This address is used by the family of Internet protocols to uniquely identify this unit on a network.</p>

Attribute	Description
	IPv6 addresses are represented by eight groups of four hexadecimal digits separated by colons.
IPv6 Gateway	Configure the IPv6 address of the device on the current network that acts as a gateway. A gateway acts as an entrance and exit to packets from and to other networks.
Ethernet Port Security (Subscriber Module Mode)	Disabled: No MAC address limit/gaining timers are imposed for bridging at the Subscriber Module device Ethernet port. Enabled: By configuring Secure MAC Limit and MAC Aging Time , a limit is imposed on the number and duration of bridged devices connected to the Subscriber Module Ethernet port.
Secure MAC Limit (Subscriber Module Mode)	Configure the number of simultaneous secure MAC addresses that will be allowed at the Ethernet interface of the Subscriber Module
MAC Aging Time (Subscriber Module Mode)	Configure the time for which the secure MAC addresses should be allowed to age. Once the Aging timer expires for a MAC address, it will be removed from the internal table and no longer count as an active MAC. Set the time to 0 to disable aging.
Ethernet Interface (Subscriber Module NAT Mode, Router Mode)	
IP Address (Subscriber Module NAT Mode, Router Mode)	Ethernet interface Internet protocol (IP) address. This address is used by the family of Internet protocols to uniquely identify this unit on a network.
Subnet Mask (Subscriber Module NAT Mode, Router Mode)	Defines the address range of the connected IP network. For example, if Device IP Address (LAN) is configured to 192.168.2.1 and IP Subnet Mask (LAN) is configured to 255.255.255.0, the device will belong to subnet 192.168.2.X.
DHCP Server (Subscriber Module NAT Mode, Router Mode)	Disabled: Use this setting when SM is in NAT or Router mode if there is an existing DHCP Server below the SM handing out IP Addresses or if all devices below the SM will be configured with static IP Addresses. Enabled: Use this setting when SM is in NAT or Router mode, to use the SM's local/onboard DHCP server to hand out IP addresses to its clients.
DHCP Start IP (Subscriber Module NAT Mode, Router Mode)	Configure the first address which will be issued to a DHCP client. Upon additional DHCP requests, the DHCP Start IP is incremented until the local DHCP End IP is reached.
DHCP End IP	Configure the highest IP address in the DHCP pool that can be issued to a DHCP client.

Attribute	Description
(Subscriber Module NAT Mode, Router Mode)	
Preferred DHCP DNS Server (Subscriber Module NAT Mode, Router Mode)	Configure the primary DNS Server IP address which will be used to configure DHCP clients (if local DHCP Server is set to Enabled).
Alternate DHCP DNS Server (Subscriber Module NAT Mode, Router Mode)	Configure the secondary DNS Server IP address which will be used to configure DHCP clients (if local DHCP Server is set to Enabled).
DHCP Lease Time (Subscriber Module NAT Mode, Router Mode)	Configure the time for which a DHCP IP address is leased. When the lease time expires, the DHCP client must renew IP addresses via DHCP request.
PPPoE	Point-to-Point Protocol over Ethernet: Used for Encapsulating PPP frames inside Ethernet frames.
Service Name	Optional entry to set a specific service name to connect to for the PPPoE session. If this is left blank the SM accepts the first service option that comes back from the Access Concentrator specified below, if any. This is limited to 32 characters.
Access Concentrator	An optional entry to set a specific Access Concentrator to connect to for the PPPoE session. If this is blank, the SM accepts the first Access Concentrator which matches the service name (if specified). This is limited to 32 characters.
Static Routes (Subscriber Module Router Mode)	
Static Routes (Subscriber Module Router Mode)	<p>When Enabled, it allows the operator to create static routes that will apply to both the Wireless and Ethernet interface of the SM.</p> <p>This allows operators to configure a custom table of explicit paths between networks. Static routing is often used as a method to reduce the overhead of processing dynamic routes through a network when the specific path is known (or, it is simpler to define a specific path). Static routing is also used as a backup when dynamic routing protocols fail to complete a route from one network to another.</p> <p>In router mode, the Static Routes table is referenced by the SM to forward/filter packets to a particular destination configured by the user based on the IP addressing information contained in the table.</p>

Attribute	Description
	<p>Since static routes do not change with network changes, it is recommended to only use static routes for simple network paths that are not prone to frequent changes (requiring updates to the routes configured on the ePMP SM).</p> <p>It is important to consider each hop in a static route's path to ensure that the routing equipment has been configured to statically or dynamically route packets to the proper destination. Otherwise, network communication will fail.</p> <p>Network Address Translation (NAT) is not performed when the SM is in Router mode.</p>
Target Network IP (Subscriber Module Router Mode)	Configure the target subnet/network's IP address to which the SM should route the packets.
Subnet Mask (Subscriber Module Router Mode)	Configure the subnet mask for the Target Network IP address.
Gateway (Subscriber Module Router Mode)	Configure the gateway to which packets that match the Target Network IP Address and Subnet Mask are sent.
Description (Subscriber Module Router Mode)	Provide a description to easily identify the static route and its purpose.
IP Aliases (Subscriber Module Router Mode)	
IP Aliases (Subscriber Module Router Mode)	<p>When Enabled, IP aliases allow the operator to associate more than one IP address to the Ethernet interface of the SM.</p> <p>This configuration of multiple IP addresses for the SM's Ethernet interface allows connections to multiple networks, often used as a mechanism for management access to the device from a convenient networking path.</p>
IP Address (Subscriber Module Router Mode)	Configure the IP address for the alias.
Subnet Mask (Subscriber Module Router Mode)	Configure the subnet mask for the alias.

Attribute	Description
Description (Subscriber Module Router Mode)	Provide a description to easily identify the IP alias and its purpose/connected network.
Separate Wireless Management Interface (Subscriber Module NAT Mode, Router Mode)	
Separate Management IP (Subscriber Module NAT Mode, Router Mode)	Disabled: When disabled, the Wireless IP is the management interface for the SM. Enabled: When enabled, the IP Address below is the management interface for the SM.
IP Assignment (Subscriber Module NAT Mode, Router Mode)	Static: Separate Wireless Management Interface is configured manually in fields IP Address, Subnet Mask and Gateway . DHCP: Management IP addressing (IP Address, Subnet Mask, Gateway, and DNS Server) is assigned via a network DHCP server.
IP Address (Subscriber Module NAT Mode, Router Mode)	Configure the IP address that will be used to access the SM's management interface when in NAT mode. The Wireless IP (public IP) will not allow management access.
Subnet Mask (Subscriber Module NAT Mode, Router Mode)	Defines the address range of the connected IP network. For example, if the IP Address is configured to 192.168.2.1 and Subnet Mask is configured to 255.255.255.0, the device wireless interface will belong to the subnet 192.168.2.X.
Gateway (Subscriber Module NAT Mode, Router Mode)	Configure the IP address of a computer on the current network that acts as a gateway. A gateway acts as an entrance and exit to packets from and to other networks.
Separate Management VLAN (Subscriber Module NAT Mode, Router Mode)	Enabled: A VLAN configuration establishes a logical group within the network. Each computer in the VLAN, regardless of initial or eventual physical location, has access to the same data based on the VLAN architecture. For the network operator, this provides flexibility in network segmentation, simpler management, and enhanced security. When the SM is in NAT mode, the Separate Wireless Management VLAN configuration applies to management data. Disabled: When disabled, the SM does not have a unique management VLAN.
VLAN ID	Configure this parameter to include the device's management traffic on a separate VLAN network.

Attribute	Description
(Subscriber Module NAT Mode, Router Mode)	
VLAN Priority (Subscriber Module NAT Mode, Router Mode)	<p>ePMP radios can prioritize VLAN traffic based on the eight priorities described in the IEEE 802.1p specification. Data VLAN Priority represents the VLAN Priority or Class of Service (CoS). Operators may use this prioritization field to give precedence to the device's management data.</p> <p>This parameter only takes effect if the Separate Wireless Management VLAN parameter is enabled. Configure this parameter to set the value of the Priority code point field in the 802.1q tag for management traffic on the configured VLAN ID originating from the SM. The default value is 0.</p>
Virtual Local Area Network (VLAN)	
Management VLAN (Access Point Mode)	<p>Enabled: The AP management interface can be assigned to a Management VLAN to separate management traffic (remote module management via SNMP or HTTP) from user traffic (such as internet browsing, voice, or video). Once the management interface is enabled for a VLAN, an AP's management interface can be accessed only by packets tagged with a VLAN ID matching the management VLAN ID.</p> <p>A VLAN configuration establishes a logical group within the network. Each computer in the VLAN, regardless of initial or eventual physical location, has access to the same data based on the VLAN architecture. For the network operator, this provides flexibility in network segmentation, simpler management, and enhanced security.</p> <p>Disabled: When disabled, all IP management traffic is allowed to the device.</p>
VLAN (Management + Data) (Subscriber Module Mode)	<p>Enabled: The device management interface can be assigned to a Management VLAN to separate management traffic (remote module management via SNMP or HTTP) from user traffic (such as internet browsing, voice, or video). Once the management interface is enabled for a VLAN, the management interface can be accessed only by packets tagged with a VLAN ID matching the management VLAN ID.</p> <p>A VLAN configuration establishes a logical group within the network. Each computer in the VLAN, regardless of initial or eventual physical location, has access to the same data based on the VLAN architecture. For the network operator, this provides flexibility in network segmentation, simpler management, and enhanced security.</p> <p>Disabled: When disabled, all IP management traffic is allowed to the device.</p>
VLAN ID (NAT Mode, Router Mode)	Configure this parameter to include the device's management traffic on a separate VLAN network.

Attribute	Description
VLAN Priority (NAT Mode, Router Mode)	<p>ePMP radios can prioritize VLAN traffic based on the eight priorities described in the IEEE 802.1p specification. Data VLAN Priority represents the VLAN Priority or Class of Service (CoS). Operators may use this prioritization field to give precedence to the device management data.</p> <p>This parameter only takes effect if the Separate Wireless Management VLAN parameter is enabled. Configure this parameter to set the value of the Priority code point field in the 802.1q tag for management traffic on the configured VLAN ID originating from the SM. The default value is 0.</p>
Management VLAN ID (Access Point Mode) (Subscriber Module Bridge Mode)	<p>Configure this parameter to include the device's management traffic on a separate VLAN network. For example, if Management VLAN ID is set to 2, GUI access will only be allowed from frames tagged with VLAN ID 2. This parameter only takes effect if the MGMT VLAN parameter is enabled.</p>
Management VLAN Priority (Access Point Mode) (Subscriber Module Bridge Mode)	<p>ePMP devices can prioritize VLAN traffic based on the eight priorities described in the IEEE 802.1p specification. Management VLAN Priority represents the VLAN Priority or Class of Service (CoS). Operators may use this prioritization field to give precedence to the device management traffic.</p> <p>This parameter only takes effect if the Management VLAN parameter is enabled. Configure this parameter to set the value of the Priority code point field in the 802.1q tag for traffic on the management VLAN originating from the Subscriber Module. The default value is 0.</p>
Data VLAN (Subscriber Module Mode) (Bridge Mode)	<p>Enabled: A VLAN tag will be added to all untagged traffic entering the Salve device LAN port before sending it to the Access Point and remove tags in the opposite direction from traffic (tagged with Data VLAN ID) entering on the Subscriber Module device WAN port before sending to the Subscriber Module device LAN port.</p> <p>Disabled: When disabled, no changes are made to untagged traffic passing through the Subscriber Module device.</p>
Data VLAN ID (Subscriber Module Mode) (Bridge Mode)	<p>Configure this parameter to include this VLAN tag to all untagged traffic entering on the Subscriber Module device LAN port before sending it to the Access Point device and remove tags in the opposite direction from traffic (tagged with Data VLAN ID) entering on the Subscriber Module device WAN port before sending to the Subscriber Module device LAN port.</p>
Data VLAN Priority (Subscriber Module Mode) (Bridge Mode)	<p>ePMP devices can prioritize VLAN traffic based on the eight priorities described in the IEEE 802.1p specification. Data VLAN Priority represents the VLAN Priority or Class of Service (CoS). Operators may use this prioritization field to give precedence to device user data.</p> <p>This parameter only takes effect if the Data VLAN parameter is enabled. Configure this parameter to set the value of the Priority code point field in the 802.1q tag for traffic on the Data VLAN originating from the Subscriber Module device. The default value is 0.</p>

Attribute	Description
Membership VLAN (Subscriber Module Bridge Mode)	Configure the Membership VLAN Table to include the SM in one or more VLANs. When the SM receives a packet tagged from either the Ethernet (LAN) or Wireless (WAN) side with a VLAN ID which is contained in the Membership VLAN Table , the packet is forwarded and sent out to the other interface. When the SM receives a packet tagged with a VLAN ID that is not present in the Membership VLAN Table , the frame is dropped (assuming there is at least one VLAN ID present in the Membership VLAN table or configured as a Data VLAN).
VLAN Mapping (Subscriber Module Bridge Mode)	Configure the VLAN Mapping Table to map the C-VLAN of traffic ingressing the Ethernet (LAN) port of the SM to an S-VLAN before being forwarded to the air interface on the UL. In the DL direction, the SM will automatically un-map the S-VLAN to the C-VLAN before forwarding the tagged packets to the Ethernet (LAN) interface of the SM.
C-VLAN (Subscriber Module Bridge Mode)	Configure the C-VLAN ID of the tagged traffic for which the mapping needs to occur. The C-VLAN ID must be entered in the SM VLAN Membership VLAN table.
S-VLAN (Subscriber Module Bridge Mode)	Configure the S-VLAN ID to which the tagged traffic needs to be mapped. The S-VLAN ID must be entered in the SM VLAN Membership VLAN table.
Ethernet Port	
Ethernet MTU	Specify the device MTU or Maximum Transmission Unit; the size in bytes of the largest data unit that the device is configured to process. Larger MTU configurations can enable the network to operate with greater efficiency, but in the case of retransmissions due to packet errors, efficiency is reduced since large packets must be resent in the event of an error.
Ethernet Port (Subscriber Module Mode)	Disabled: The primary Ethernet port is disabled (a mechanism for restricting access for non-payment). Enabled: The primary Ethernet port is enabled.
Port Setting	Allows the Gigabit Ethernet port duplex settings and port speed to be either manually configured or auto-negotiate with the connected Ethernet device on the other end of the link. Guidelines for using Port Setting : When auto-negotiation is turned on, this applies to both Port Speed and Port Duplex Mode . If the other end of the Ethernet connection supports auto-negotiation, then Auto-Negotiate should be selected. If the other end of the Ethernet connection does not support auto-negotiation, then Manual should be selected and both ends of the link should manually set the port speed and port duplex mode.

Attribute	Description
Port Speed	With Port Setting configured to Manual , the Gigabit Ethernet port speed can be forced to 1000 Mbps, 100 Mbps, or 10 Mbps.
Port Duplex Mode	With Port Setting configured to Manual , the Gigabit Ethernet port duplex mode can be forced to Full or Half .
Port Forwarding (Subscriber Module Mode) (NAT Mode)	
UPnP IGD (Subscriber Module Mode) (NAT Mode)	<p>Universal Plug and Play (UPnP) is a set of networking protocols that permits networked devices, such as personal computers, printers, Internet gateways, Wi-Fi APs, and mobile devices to seamlessly discover each other's presence on the network and establish functional network services for data sharing, communications, and entertainment. UPnP is intended primarily for residential networks without enterprise-class devices. With UPnP IGD and PCP protocols, ePMP will support explicit dynamic port mappings.</p> <p>Enable UPnP IGD (Internet Gateway Device) to allow the ePMP device to use the IGD profile for UPnP support.</p>
NAT PMP (PCP) (Subscriber Module Mode) (NAT Mode)	<p>The PCP (Port Control Protocol) allows an IPv6 or IPv4 host to control how incoming IPv6 or IPv4 packets are translated and forwarded by a Network Address Translator (NAT) or simple firewall, and also allows a host to optimize its outgoing NAT keepalive messages. PCP was standardized as a successor to the NAT Port Mapping Protocol (NAT-PMP), with which it shares similar protocol concepts and packet formats.</p> <p>Enable this parameter to allow the ePMP device to use the PCP protocol for UPnP support.</p>
Data Port Forwarding (Subscriber Module Mode) (NAT Mode)	The Data Port Forwarding Table is used to define which range of wireless ports are forwarded to a LAN (SM local network) IP address below the SM.
Protocol (Subscriber Module Mode) (NAT Mode)	<p>UDP: Packet forwarding decisions are based on UDP packets.</p> <p>TCP: Packet forwarding decisions are based on TCP packets.</p>
Port Begin (Subscriber Module Mode) (NAT Mode)	Configure the beginning of the range of wireless ports to match for forwarding to LAN IP.
Port End (Subscriber Module Mode) (NAT Mode)	Configure the end of the range of wireless ports to match for forwarding to LAN IP.

Attribute	Description
Forwarding IP (Subscriber Module Mode) (NAT Mode)	Configure the LAN IP of the device situated below the SM which receives the packets forwarded based on the Separate Management IP Port Forwarding Table configuration.
Mapped Port (Subscriber Module Mode) (NAT Mode)	Configure the port of the device situated below the SM which receives the packets forwarded based on the Data Port Forwarding Table configuration.
Point-to-Point Protocol over Ethernet (PPPoE) (Subscriber Module Mode) (NAT Mode, Router Mode)	
PPPoE (Subscriber Module Mode) (NAT Mode, Router Mode)	Point-to-Point Protocol over Ethernet: Used for encapsulating PPP frames inside Ethernet frames.
Service Name (Subscriber Module Mode) (NAT Mode, Router Mode)	Optional entry to set a specific service name to connect to for the PPPoE session. If this is left blank the SM accepts the first service option that comes back from the Access Concentrator specified below, if any. This is limited to 32 characters.
Access Concentrator (Subscriber Module Mode) (NAT Mode, Router Mode)	Optional entry to set a specific Access Concentrator to connect to for the PPPoE session. If this is blank, the SM accepts the first Access Concentrator which matches the service name (if specified). This is limited to 32 characters.
Authentication (Subscriber Module Mode) (NAT Mode, Router Mode)	ALL: This means that CHAP authentication will be attempted first, then PAP authentication. The same password is used for both types. CHAP: This means that CHAP authentication will be attempted. PAP: This means that PAP authentication will be attempted.
Username (Subscriber Module Mode) (NAT Mode, Router Mode)	This is the CHAP/PAP username that is used. This is limited to 32 characters.
Password	This is the CHAP/PAP password that is used. This is limited to 32 characters.

Attribute	Description
(Subscriber Module Mode) (NAT Mode, Router Mode)	
MTU Size (Subscriber Module Mode) (NAT Mode, Router Mode)	Maximum Transmission Unit; the size in bytes of the largest data unit that the device is configured to process inside the PPPoE tunnel. This field allows the operator to specify the largest MTU value to use in the PPPoE session if PPPoE MSS Clamping is Enabled. The user will be able to enter an MTU value up to 1492. However, if the MTU determined in LCP negotiations is less than this user-specified value, the SM uses the smaller value as its MTU for the PPPoE link.
Keep Alive Time (Subscriber Module Mode) (NAT Mode, Router Mode)	Configure the Keep Alive Time to allow the radio to keep the PPPoE session up after establishment. As an example, if this field is set to 5, the PPPoE client will send a keep-alive message to the PPPoE server every 5 seconds. If there is no acknowledgment, it sends the 'Keep alive' message to the server 4 more times (for a total of 5 times) before tearing down the PPPoE session. Setting this to 12 will mean the keep-alive message will be sent every 12 seconds and when there is no acknowledgment, the client will try for a total of 12 times every 12 seconds before tearing down the PPPoE session.
MSS Clamping (Subscriber Module Mode) (NAT Mode, Router Mode)	Disabled: The SM PPPoE session allows any MTU size determined by other devices in the PPPoE session during the LCP negotiations. Enabled: The SM PPPoE session enforces a max MTU size determined by the PPPoE MTU Size setting for all devices in the PPPoE session during the LCP negotiations unless one of the devices enforces an MTU setting that is smaller in value.
SFP Port (Access Point Mode)	
SFP Port (Access Point Mode)	Disabled: The SFP port is inactive. Enabled: The SFP port is active.
Advanced	
IPv6 Support	System-wide IPv6 Protocol Support. When enabled, appropriate IPv6 modules and services will be loaded.
Spanning Tree Protocol	Disabled: When disabled, Spanning Tree Protocol (802.1d) functionality is disabled at the Access Point. Enabled: When enabled, Spanning Tree Protocol (802.1d) functionality is enabled at the Access Point, allowing for the prevention of Ethernet bridge loops.
DHCP Server Below Subscriber Module (Subscriber Module Mode)	Disabled: This blocks DHCP servers connected to the Subscriber Module device LAN side from handing out IP addresses to DHCP clients above the Subscriber Module device (wireless side). Enabled: This allows DHCP servers connected to the Subscriber Module device LAN side to assign IP addresses to DHCP clients above the Subscriber Module device (wireless side). This configuration is typical in PTP links.

Attribute	Description
Management Access (Access Point Mode)	<p>Ethernet: Only allow access to the Access Point's web management interface via a local Ethernet (LAN) connection. In this configuration, the Access Point's web management interface may not be accessed from over the air (i.e. from a device situated below the Subscriber Module).</p> <p>Ethernet and Wireless: Allow access to the Access Point's web management interface via a local Ethernet (LAN) connection and from over the air (i.e. from a device situated below the Subscriber Module).</p> <p>APs configured with Management Access Interface set to Ethernet and Ethernet and Wireless are susceptible to unauthorized access.</p>
SM Traffic Isolation (Access Point Mode)	<p>Disabled: This is the default mode. When SM isolation is disabled, an SM can communicate with another SM, when both the SMs are associated with the same Access Point (AP).</p> <p>Enabled: When the SM Isolation feature is Enabled, an SM is unable to communicate with another SM (peer-to-peer traffic) when both the SMs are associated with the same Access Point (AP). This feature essentially enables the AP to drop the packets to avoid peer-to-peer traffic scenarios.</p>
DHCP Option 82 (Access Point Mode)	<p>Disabled: The device does not insert the "remote-id" (option ID 0x2) and the "circuit-id" (ID 0x01). DHCP Option 82 is 'Disabled' by default.</p> <p>Enabled: The device inserts "remote-id" (option ID 0x2) to be the Subscriber Module MAC address and the "circuit-id" (ID 0x01) to be the Access Point's MAC address. Those two fields are used to identify the remote device and connection from which the DHCP request was received.</p>
LLDP	<p>The Link Layer Discovery Protocol (LLDP) is a vendor-neutral link layer protocol (as specified in IEEE 802.1AB) used by ePMP for advertising its identity, capabilities, and neighbors on the Ethernet/wired interface.</p> <p>Disabled: ePMP does not receive or transmit LLDP packets from/to its neighbors.</p> <p>Enabled: ePMP can receive LLDP packets from its neighbors and send LLDP packets to its neighbors, depending on the LLDP Mode configuration below.</p>
LLDP Mode	<p>Receive and Transmit: ePMP sends and receives LLDP packets to/from its neighbors on the Ethernet/LAN interface.</p> <p>Receive Only: ePMP receives LLDP packets from its neighbors on the Ethernet/LAN interface and discovers them.</p>
PPPoE Intermediate Agent	<p>When enabled, during the PPPoE Discovery phase the AP inserts access loop identification into the PPPoE PADR packets. This mechanism helps the service provider to distinguish between end hosts connected via Ethernet as an access device (typically, home routers situated below an ePMP subscriber device).</p> <p>On the AP, PPPoE Intermediate Agent enables subscriber line identification by tagging Ethernet frames of corresponding users with Vendor-Specific PPPoE Tags "Circuit ID" (defining AP name, frame, slot, port, and VLAN ID information) and "Remote ID" (defining user phone number).</p>
Broadcast / Multicast Traffic Shaping (Subscriber Module Mode) (Bridge Mode)	

Attribute	Description
Broadcast Packet Limit (Subscriber Module Mode) (Bridge Mode)	<p>Enabled: This allows the user to set the Broadcast Packet Rate below. Configure this parameter to limit the number of broadcast packets that will be allowed on the ingress of the radio's Ethernet port. Set the packets per second value to limit the impact of events such as broadcast storms.</p> <p>Disabled: There is no limit on the amount of broadcast traffic that will be allowed into the ingress of the radio's Ethernet port.</p>
Broadcast Packet Rate (Subscriber Module Mode) (Bridge Mode)	<p>Set the packets per second value to limit the amount of broadcast traffic that will be allowed on the ingress on the radio's Ethernet port. The packets per second limit can be set individually on each ePMP radio. The range is 100 to 16000 packets per second. The default is 1000.</p>
Reliable Multicast	<p>Enabled: This feature allows ePMP to support IGMP capable devices. Once a multicast group is identified, the AP allows multicast traffic to be sent only to the SMs within the multicast group. The SMs support up to 5 unique multicast groups. Also, when this option is enabled, the multicast traffic is sent to the SMs using the current Downlink MCS rate.</p> <p>Disabled: ePMP will still support IGMP capable devices but the multicast traffic will be sent using MCS 1 on the downlink to all SMs, regardless of the multicast group.</p>
Multicast Group Limit (Subscriber Module Mode) (Bridge Mode)	<p>Configure the maximum number of simultaneous multicast groups that the SM will allow from devices below it. The default is 3.</p>
Multicast VLAN (Subscriber Module Mode) (Bridge Mode)	<p>Enabled: A VLAN tag will be added to all untagged multicast traffic entering the SM's LAN port before sending it to the AP and remove tags in the opposite direction from traffic (tagged with Multicast VLAN ID) entering on the SM's WAN port before sending to the SM's LAN port.</p> <p>Disabled: When disabled, no changes are made to untagged multicast traffic passing through the SM.</p>
Multicast VLAN ID (Subscriber Module Mode) (Bridge Mode)	<p>Configure this parameter to include this VLAN tag to all untagged multicast traffic entering on the SM's LAN port before sending it to the AP and remove tags in the opposite direction from multicast traffic (tagged with Multicast VLAN ID) entering on the SM's WAN port before sending to the SM's LAN port.</p>
Multicast VLAN Priority (Subscriber Module Mode) (Bridge Mode)	<p>ePMP radios can prioritize VLAN traffic based on the eight priorities described in the IEEE 802.1p specification. Multicast VLAN Priority represents the VLAN Priority or Class of Service (CoS). Operators may use this prioritization field to give precedence to the device's multicast data.</p>

Attribute	Description
	This parameter only takes effect if the Multicast VLAN parameter is enabled. Configure this parameter to set the value of the Priority code point field in the 802.1q tag for traffic on the Multicast VLAN originating from the SM. The default value is 0.
De-Militarized Zone (Subscriber Module NAT Mode)	
DMZ (Subscriber Module NAT Mode)	<p>Disabled: Packets arriving on the wireless interface destined for the Ethernet side of the network are dropped if a session does not exist between the Source IP (Wireless) and Destination IP (Ethernet). By default, NAT requires the sessions to be initiated from the Ethernet side before a packet is accepted from the Wireless to the Wired side.</p> <p>Enabled: Any packets with an unknown destination port (not associated with an existing session or not defined in the port forwarding rules) are automatically sent to the device configured with DMZ IP Address.</p>
IP Address (Subscriber Module NAT Mode)	Configure the IP address of an SM-connected device that is allowed to provide network services to the wide-area network.
Allow ICMP to DMZ (Subscriber Module NAT Mode)	<p>Enabled: ICMP packets are forwarded to the DMZ IP</p> <p>Disabled: SM answers ICMP requests, and SM Wireless IP Address becomes reachable by ping when DMZ enabled</p>

Configuration > Security page

The **Security** page is used to configure system security features including authentication and Layer2/Layer3 Firewall rules.



Attention

If a device firewall rule is added with **Action** set to **Deny** and **Interface** set to **LAN** or **WAN** and no other rule attribute is configured, the device will drop all Ethernet or wireless traffic, respectively. Ensure that all firewall rules are specific to the type of traffic which must be denied and that no rules exist in the devices with the only Action set to Deny and Interface set to **LAN** or **WAN**. To regain access to the device, perform a factory default.

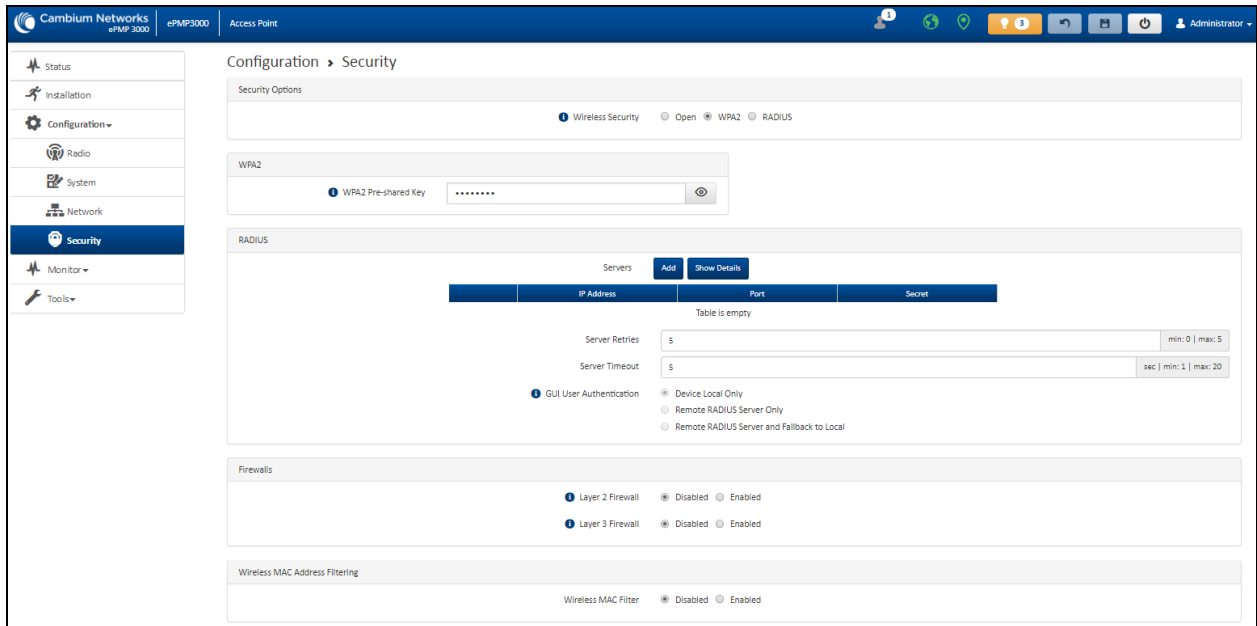


Figure 63: Configuration > Security page (Access Point Mode)

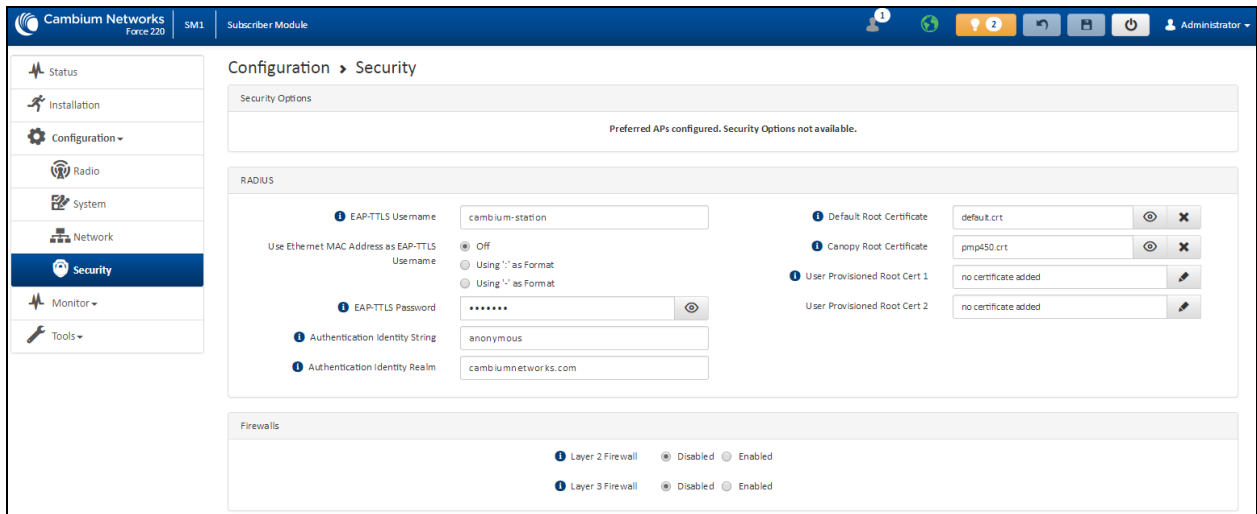


Figure 64: Configuration > Security page (Subscriber Module Mode)

Table 138 Configuration > Security page attributes

Attribute	Description
Security Options	
Wireless Security (Access Point Mode)	For Access Point mode devices, select the security mode enforced upon network entry. For Subscriber Module mode devices, select the security mode utilized upon network entry attempts.

Attribute	Description
	<p>Open: All Subscriber Module devices requesting network entry are allowed registration.</p> <p>WPA2: The WPA2 mechanism provides AES radio link encryption and Subscriber Module network entry authentication. When enabled, the Subscriber Module must register using the Authentication Pre-shared Key configured on the Access Point and Subscriber Module.</p> <p>RADIUS: Enables Subscriber Module authentication via a pre-configured Radius server.</p>
WPA2	
WPA2 Pre-shared Key	Configure this key on the Access Point, then configure the Subscriber Module with this key to complete the authentication configuration. This key must be between 8 to 128 symbols.
RADIUS (Access Point Mode)	
Servers (Access Point Mode)	<p>For more Radio servers, click Add. Up to 3 Radius servers can be configured on the device with the following attributes:</p> <p>IP Address: IP Address of the Radius server on the network.</p> <p>Port: The Radius server port. The default is 1812.</p> <p>Secret: Secret key that is used to communicate with the Radius server.</p>
Server Retries (Access Point Mode)	The number of times the radio will retry authentication with the configured Radius server before it fails authentication of the SM.
Server Timeout (Access Point Mode)	Timeout between each retry with the configured Radius server before it fails authentication of the SM.
GUI User Authentication (Access Point Mode)	<p>This applies to both the AP and its registered SMs.</p> <p>Device Local Only: The device's GUI authentication is local to the device using one of the accounts configured under Configuration->System->Account Management.</p> <p>Remote RADIUS Server Only: The device's GUI authentication is performed using a RADIUS server.</p> <p>Remote RADIUS Server and Fallback to Local: The device's GUI authentication is performed using a RADIUS server. Upon failure of authentication through a RADIUS server, the authentication falls back to one of the local accounts configured under Configuration->System->Account Management.</p>
EAP-TTLS Username (Subscriber Module Mode)	Configure the EAP-TTLS Username to match the credentials on the RADIUS server being used for the network.

Attribute	Description
Use Ethernet MAC Address at EAP-TTLS Username (Subscriber Module Mode)	The device MAC Address can be used as the EAP-TTLS Username in either “:” or “-“ delimited format.
EAP-TTLS Password (Subscriber Module Mode)	Configure the EAP-TTLS Password to match the credentials on the RADIUS server being used for the network.
Authentication Identity String (Subscriber Module Mode)	Configure this Identity string to match the credentials on the RADIUS server being used for the network. The default value for this parameter is anonymous .
Authentication Identity Realm (Subscriber Module Mode)	Configure this Identity string to match the credentials on the RADIUS server being used for the network. The default value for this parameter is cambiumnetworks.com .
Default Root Certificate (Subscriber Module Mode)	Default EAP-TTLS root certificate that must match the certificate on the RADIUS server.
Canopy Root Certificate (Subscriber Module Mode)	PMP 450 default EAP-TTLS root certificate to match the certificate on the RADIUS server used with current PMP 450 installations.
User Provisioned Root Cert 1 (Subscriber Module Mode)	Import a user certificate if a certificate different from the default certificates is needed.
User Provisioned Root Cert 2 (Subscriber Module Mode)	Import a second user certificate if a certificate different from the default or 1 st user provisioned certificate is needed.
Firewalls	
Layer 2 Firewall	Enabled: Modifications to the Layer 2 Firewall Table are allowed and rules are enforced.

Attribute	Description
	Disabled: Modifications to the Layer 2 Firewall Table are not allowed and rules are not enforced.
Layer 2 Firewall Rules	The Layer 2 firewall table may be used to configure rules matching layer 2 (MAC layer) traffic which results in forwarding or dropping the traffic over the radio link or Ethernet interface.
Layer 3 Firewall	Disabled: Modifications to the Layer 3 Firewall Table are not allowed and rules are not enforced. Enabled: Modifications to the Layer 3 Firewall Table are allowed and rules are enforced.
Layer 3 Firewall Rules	The Layer 3 firewall table may be used to configure rules matching layer 3 (IP layer) traffic which results in forwarding or dropping the traffic over the radio link or Ethernet interface.
Wireless MAC Address Filtering (Access Point Mode)	
Wireless MAC Filter (Access Point Mode)	Disabled: SMs with any MAC Address are allowed to register to the AP. Enabled: SMs with specific MAC addresses can be allowed (Permit) or denied (Prevent) registration with the AP as configured under the MAC Filter List.
Wireless MAC Filter Policy (Access Point Mode)	Prevent: All MAC Addresses configured under the MAC Filter List are denied registration to the AP. Permit: Only the MAC Addresses configured under the MAC Filter List are allowed to register to the AP.
Wireless MAC Filter List (Access Point Mode)	Configure the SM's MAC addresses that will be permitted or prevented from registering to the AP.
MAC Address (Access Point Mode)	MAC Address of the SM
Description (Access Point Mode)	Friendly description to identify the SM

Monitor menu

Use the **Monitor menu** to access device and network statistics and status information. This section is used to analyze and troubleshoot network performance and operation.

Monitor > Performance page

Cambium Networks ePMP3000 Access Point
Administrator

- Status
- Installation
- Configuration
- Monitor
- Performance
- System
- Wireless
- Throughput Chart
- GPS
- Network
- System Log
- Tools

Monitor > Performance

Time Since Last Reset: 0000:19:01:38

[Reset Stats](#)

Ethernet Statistics - Transmitted

Total Traffic	982 928 Kbits (100%)
Total Packets	205 880 packets (100%)
Packet Errors	0 packets
Packet Drops	0 packets
Broadcast Packets	2 082 packets (1%)
Multicast Packets	2 282 packets (1%)

Ethernet Statistics - Received

Total Traffic	146 776 Kbits (100%)
Total Packets	188 423 packets (100%)
Packet Errors	0 Kbits
Packet Drops	0 packets
Broadcast Packets	0 packets
Multicast Packets	34 193 packets (18%)

SFP Statistics - Transmitted

Total Traffic	0 Kbits
Total Packets	0 packets
Packet Errors	0 packets
Packet Drops	0 packets
Broadcast Packets	0 packets
Multicast Packets	0 packets

SFP Statistics - Received

Total Traffic	0 Kbits
Total Packets	0 packets
Packet Errors	0 packets
Packet Drops	0 packets
Broadcast Packets	0 packets
Multicast Packets	0 packets

Wireless Statistics - Downlink

Total Traffic	5 305 277 Kbits (100%)
Total Packets	559 956 packets (100%)
Error Drop Packets	34 packets (0%)
Capacity Drop Packets	0 packets
Retransmission Packets	14 689 packets (2%)
Multicast / Broadcast Traffic	12 295 Kbit
Broadcast Packets	22 packets (0%)
Multicast Packets	34 200 packets (6%)

Wireless Statistics - Uplink

Total Traffic	1 265 754 Kbits (100%)
Total Packets	192 140 packets (100%)
Error Drop Packets	1 packets (0%)
Multicast / Broadcast Traffic	9 468 Kbits
Broadcast Packets	3 packets (0%)
Multicast Packets	1 459 packets (0%)

System Statistics

Session Drops	2 215 sessions
Link Drop Counter	2 219 times
Total Device Reboots	0 times
Soft Device Reboots	0 times
Hard Device Reboots	0 times
Network Entry Attempts	2 217
Successful Network Entries	3
Network Entry Authentication Failures	2 056
Radar (DFS) Detections	0

Subscriber Module Statistics

MAC Address	Total Uplink (Kbits)	Total Uplink Packets	Uplink Packet Drops	Total Downlink (Kbits)	Total Downlink Packets	Downlink Packet Drops	Downlink Capacity Packet Drops	Downlink Retransmitted Packets	Downlink Power (dBm)
00:04:56:20:5f:a7	697 069	101 285	1	2 381 090	245 742	0	23	8 369	8
00:04:56:20:5e:e0	328 971	45 434	0	1 882 733	173 292	0	0	5 802	8

Downlink Packets Per MCS

DS MCS 9 - 256-QAM 5/6	486 472 (86.9%)	SS MCS 9 - 256-QAM 5/6	92 (0%)
DS MCS 8 - 256-QAM 3/4	29 189 (5.2%)	SS MCS 8 - 256-QAM 3/4	52 (0%)
DS MCS 7 - 64-QAM 5/6	475 (0.1%)	SS MCS 7 - 64-QAM 5/6	81 (0%)
DS MCS 6 - 64-QAM 3/4	100 (0%)	SS MCS 6 - 64-QAM 3/4	94 (0%)
DS MCS 5 - 64-QAM 2/3	78 (0%)	SS MCS 5 - 64-QAM 2/3	79 (0%)
DS MCS 4 - 16-QAM 3/4	99 (0%)	SS MCS 4 - 16-QAM 3/4	70 (0%)
DS MCS 3 - 16-QAM 1/2	79 (0%)	SS MCS 3 - 16-QAM 1/2	90 (0%)
DS MCS 2 - QPSK 3/4	77 (0%)	SS MCS 2 - QPSK 3/4	6 413 (1.1%)
DS MCS 1 - QPSK 1/2	8 (0%)	SS MCS 1 - QPSK 1/2	36 483 (6.5%)

Uplink Packets Per MCS

DS MCS 9 - 256-QAM 5/6	113 193 (58.9%)	SS MCS 9 - 256-QAM 5/6	3 620 (1.9%)
DS MCS 8 - 256-QAM 3/4	25 195 (13.1%)	SS MCS 8 - 256-QAM 3/4	3 215 (1.7%)
DS MCS 7 - 64-QAM 5/6	13 811 (7.2%)	SS MCS 7 - 64-QAM 5/6	1 433 (0.7%)
DS MCS 6 - 64-QAM 3/4	10 074 (5.2%)	SS MCS 6 - 64-QAM 3/4	895 (0.5%)
DS MCS 5 - 64-QAM 2/3	6 444 (3.4%)	SS MCS 5 - 64-QAM 2/3	945 (0.5%)
DS MCS 4 - 16-QAM 3/4	3 065 (1.6%)	SS MCS 4 - 16-QAM 3/4	456 (0.2%)
DS MCS 3 - 16-QAM 1/2	782 (0.4%)	SS MCS 3 - 16-QAM 1/2	241 (0.1%)
DS MCS 2 - QPSK 3/4	291 (0.2%)	SS MCS 2 - QPSK 3/4	6 320 (3.3%)
DS MCS 1 - QPSK 1/2	40 (0%)	SS MCS 1 - QPSK 1/2	2 106 (1.1%)

Downlink Frame Time

Total Frame Time Used	0%
-----------------------	----

Figure 65: Monitor > Performance page

Table 139 Monitor > Performance page attributes

Attribute	Description
Reset Statistics	
Time Since Last Reset	Time since the stats were last reset.
Ethernet Statistics - Transmitted	
Total Traffic	The total amount of traffic in Kbits transferred from the device Ethernet interface.
Total Packets	The total number of packets transferred from the device Ethernet interface.
Packet Errors	The total number of packets transmitted out of the device Ethernet interface with errors due to collisions, CRC errors, or irregular packet size.
Packet Drops	The total number of packets dropped before sending out from the device's Ethernet interface due to Ethernet setup or filtering issues.
Broadcast Packets	The total number of broadcast packets sent via the device Ethernet interface.
Multicast Packets	The total number of multicast packets sent via the device Ethernet interface.
Ethernet Statistics - Received	
Total Traffic	The total amount of traffic in Kbits received by the device Ethernet interface.
Total Packets	The total number of packets received by the device Ethernet interface.
Packet Errors	The total number of packets received by the device Ethernet interface with errors due to collisions, CRC errors, or irregular packet size.
Packet Drops	The total number of packets dropped before sending out from the device's wireless interface due to Ethernet setup or filtering issues.
Broadcast Packets	The total number of broadcast packets received via the device Ethernet interface.
Multicast Packets	The total number of multicast packets received via the device Ethernet interface.
SFP Statistics - Transmitted	
Total Traffic	The total amount of traffic in Kbits transferred from the device SFP interface.
Total Packets	The total number of packets transferred from the device SFP interface.
Packet Errors	The total number of packets transmitted out of the device SFP interface with errors due to collisions, CRC errors, or irregular packet size.
Packet Drops	The total number of packets dropped before sending out from the device's SFP interface due to setup or filtering issues.

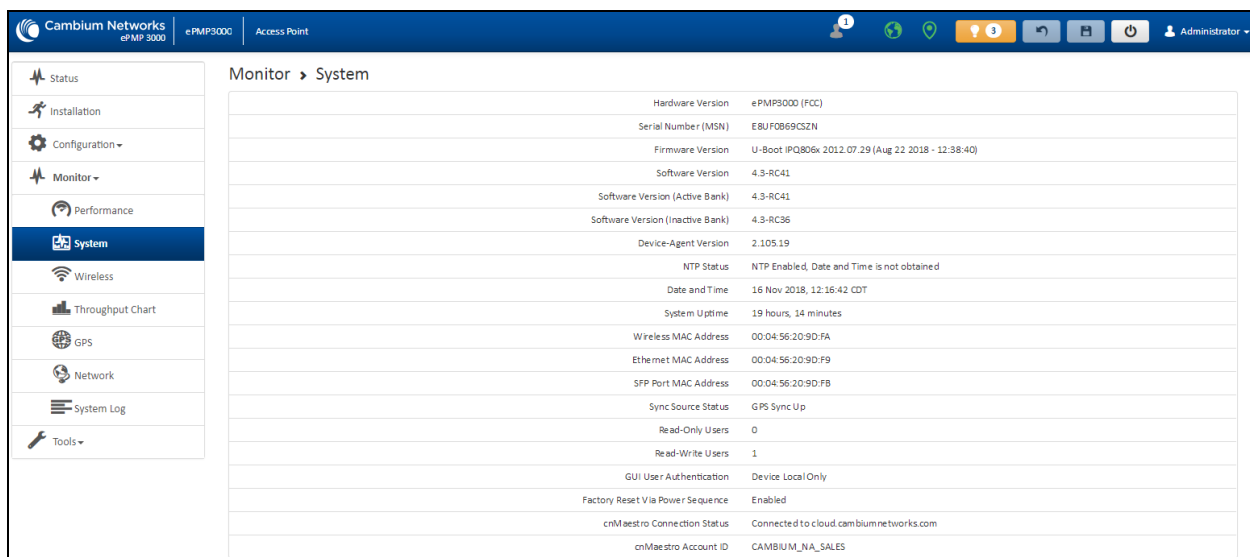
Attribute	Description
Broadcast Packets	The total number of broadcast packets sent via the device SFP interface.
Multicast Packets	The total number of multicast packets sent via the device SFP interface.
SFP Statistics - Received	
Total Traffic	The total amount of traffic in Kbits received by the device SFP interface.
Total Packets	The total number of packets received by the device SFP interface.
Packet Errors	The total number of packets received by the device SFP interface with errors due to collisions, CRC errors, or irregular packet size.
Packet Drops	The total number of packets dropped before sending out of the device wireless interface due to SFP setup or filtering issues.
Broadcast Packets	The total number of broadcast packets received via the device SFP interface.
Multicast Packets	The total number of multicast packets received via the device SFP interface.
Wireless Statistics - Downlink	
Total Traffic	The total amount of traffic transmitted out of the device wireless interface in Kbits.
Total Packets	The total number of packets transmitted out of the device wireless interface.
Error Drop Packets	The total number of packets dropped after transmitting out of the device Wireless interface due to RF errors (No acknowledgment and other RF related packet error).
Capacity Drop Packets (Access Point Mode)	The total number of packets dropped after transmitting out of the device wireless interface due to capacity issues (data buffer/queue overflow or other performance or internal packet errors).
Retransmission Packets (Access Point Mode)	The total number of packets re-transmitted after transmitting out of the device's wireless interface due to the packets not being received by the receiving device.
Multicast / Broadcast Traffic	The total amount of multicast and broadcast traffic transmitted out of the device wireless interface in Kbits.
Broadcast Packets	The total number of broadcast packets transmitted out of the device wireless interface.
Multicast Packets	The total number of multicast packets transmitted out of the device wireless interface.
Wireless Statistics - Uplink	
Total Traffic	The total amount of traffic received via the device wireless interface in Kbits.
Total Packets	The total number of packets received via the device wireless interface.

Attribute	Description
Error Drop Packets	The total number of packets dropped before sending out of the device Ethernet interface due to RF errors (packet integrity error and other RF-related packet error).
Capacity Drop Packets (Subscriber Module Mode)	The total number of packets dropped after transmitting out of the device wireless interface due to capacity issues (data buffer/queue overflow or other performance or internal packet errors).
Multicast / Broadcast Traffic	The total amount of multicast and broadcast traffic received on the device wireless interface in Kbits.
Broadcast Packets	The total number of broadcast packets received on the device wireless interface.
Multicast Packets	The total number of multicast packets received on the device wireless interface.
Link Quality (Uplink) (Subscriber Module Mode)	Defines the Packet Error Rate (PER) in the uplink direction by percentage. A background color corresponds to a percentage range. Blue is between 80 and 100%. Green is between 50 and 80%. Yellow is between 30 and 50%. Red is between 0 and 30%.
Link Capacity (Uplink) (Subscriber Module Mode)	Defines the capacity of the uplink as defined by MCS. DS MCS 9 provides the greatest capacity. SS MCS 1 provides the least. The capacity of the link is defined as the percentage throughput of the actual link as compared to a link that was always running at DS MCS 9. A background color corresponds to a percentage range. Blue is between 80 and 100%. Green is between 50 and 80%. Yellow is between 30 and 50%. Red is between 0 and 30%.
System Statistics	
Session Drops	Indicates the total number of Subscriber Module sessions dropped on the AP.
Link Drop Counter	Indicates the total number of times the wireless link was lost.
Total Device Reboots	Indicates the total number of times the device has been rebooted since the statistics were last reset from the GUI , CLI , or SNMP .
Soft Device Reboots	Indicates the number of times the device has been rebooted by the user through GUI , CLI , or SNMP since the statistics were last reset from the GUI , CLI , or SNMP .
Hard Device Reboots	Indicates the number of times the device has been rebooted via power feeding and due to power outage since the statistics were last reset from the GUI , CLI , or SNMP .

Attribute	Description
Network Entry Attempts (Access Point Mode)	The total number of Network Entry Attempts by Subscriber Module devices.
Successful Network Entries (Access Point Mode)	The total number of successful network entry attempts.
Network Entry Authentication Failures (Access Point Mode)	The total number of failed Network Entry Attempts by Subscriber Module devices.
Radar (DFS) Detections	
Subscriber Module Statistics (Access Point Mode)	
MAC Address	MAC Address of the Subscriber Module connected to the AP.
Total Uplink (Kbits)	The total amount of traffic received via the AP wireless interface from the Subscriber Module in Kbits.
Total Uplink Packets	The total number of packets received via the AP wireless interface from this Subscriber Module.
Uplink Packet Drops	The total number of packets dropped before sending out of the AP Ethernet interface due to RF errors (packet integrity error and other RF-related packet error) from the Subscriber Module.
Total Downlink (Kbits)	The total amount of traffic transmitted out of the AP wireless interface in Kbits.
Total Downlink Packets	The total number of packets transmitted out of the Access Point wireless interface.
Downlink Packet Drops	The total number of packets dropped after transmitting out of the AP wireless interface due to RF errors (No acknowledgment and other RF-related packet errors).
Downlink Capacity Packet Drops	The total number of packets dropped after transmitting out of the AP Wireless interface due to capacity issues (data buffer/queue overflow or other performance or internal packet errors).
Downlink Retransmitted Packets	The total number of packets re-transmitted after transmitting out of the AP Wireless interface due to the packets not being received by the Subscriber Module.
Downlink Power (dBm)	The transmit power of the AP for the downlink packets to the Subscriber Module.
Downlink Packets Per MCS	

Attribute	Description
MCS 1 – MCS 9 DS / SS	The number of packets (and percentage of total packets) transmitted out of the device wireless interface for every modulation mode used by the device transmitter, based on radio conditions. DS represents dual-stream transmissions and SS represents single-stream transmissions.
Uplink Packets Per MCS	
MCS 1 – MCS 9 DS / SS	The number of packets (and percentage of total packets) received on the device wireless interface for every modulation mode, based on radio conditions. DS represents dual-stream transmissions and SS represents single-stream transmissions.
Downlink Frame Time	
Total Frame Time Used (Access Point Mode)	Percentage of frame time used in the uplink.

Monitor > System page



Attribute	Description
Hardware Version	ePMP3000 (FCC)
Serial Number (MSN)	E8JF0B69CSZN
Firmware Version	U-Boot: IPQ806x 2012.07.29 (Aug 22 2018 - 12:38:40)
Software Version	4.3-RC41
Software Version (Active Bank)	4.3-RC41
Software Version (Inactive Bank)	4.3-RC36
Device-Agent Version	2.105.19
NTP Status	NTP Enabled, Date and Time is not obtained
Date and Time	16 Nov 2018, 12:16:42 CDT
System Uptime	19 hours, 14 minutes
Wireless MAC Address	00:04:56:20:9D:FA
Ethernet MAC Address	00:04:56:20:9D:F9
SFP Port MAC Address	00:04:56:20:9D:FB
Sync Source Status	GPS Sync Up
Read-Only Users	0
Read-Write Users	1
GUI User Authentication	Device Local Only
Factory Reset Via Power Sequence	Enabled
cnMaestro Connection Status	Connected to cloud.cambiumnetworks.com
cnMaestro Account ID	CAMBIUM_NA_SALES

Figure 66: Monitor > System page

Table 140 Monitor > System page attributes

Attribute	Description
Hardware Version	Board hardware version information.

Attribute	Description
Serial Number (MSN)	Serial Number information.
Firmware Version	U-Boot version information.
Software Version	The currently operating version of software on the device.
Software Version (Active Bank)	The currently operating version of software on the device.
Software Version (Inactive Bank)	The backup software version on the device is used upon failure of the active bank. Two software upgrades in sequence will update both the Active Software Bank Version and the Inactive Software Bank Version .
Device-Agent Version	The operating version of the device agent, which is used for communication with cnMaestro.
NTP Status	Indicates whether time and date have been obtained from the NTP server.
Date and Time	Current date and time, subject to time zone offset introduced by the configuration of the device Time Zone parameter. Until a valid NTP server is configured, this field will display the time configured from the factory.
System Uptime	The total system uptime since the last device reset.
Wireless MAC Address	The hardware address of the device's wireless interface.
Ethernet MAC Address	The hardware address of the device LAN (Ethernet) interface.
SFP Port MAC Address	The hardware address of the device SFP interface.
Sync Source Status	The status of the configured GPS synchronization source.
Read-Only Users	Displays the number of active Read-Only users logged into the radio.
Read-Write Users	Displays the number of active Read-Write users logged into the radio.
GUI User Authentication	The method by which users are authenticated when logging into the device management interface.
Factory Reset Via Power Sequence	<p>Enabled: When Enabled under Tools > Backup/Restore > Reset Via Power Sequence, it is possible to reset the radio's configuration to factory defaults using the power cycle sequence explained under Resetting ePMP to factory defaults by power cycling.</p> <p>Disabled: When Disabled, it is not possible to factory default the radio's configuration using the power cycle sequence.</p>

Attribute	Description
cnMaestro Connection Status	The current management status of the device for the Cambium Cloud Server. When Enabled under Configuration->System , the device will be managed by the Cambium Remote Management System, which allows all Cambium devices to be managed from the Cambium Cloud Server.
cnMaestro Account ID	The ID that the device is currently using to be managed by the Cambium Cloud Server.

Monitor > Wireless page

The screenshot shows the 'Monitor > Wireless' page for an Access Point. The interface includes a left-hand navigation menu with options like Status, Installation, Configuration, Monitor, Performance, System, Wireless, Throughput Chart, GPS, Network, System Log, and Tools. The main content area displays the following information:

- Wireless Status:** Up
- Operating Frequency:** 5.825 MHz
- Operating Channel Bandwidth:** 20 MHz
- DFS Status:** Not Available
- Transmit Power:** 0 dBm
- Registered Subscriber Modules:** 2
- Ethernet Status:** 1.000 Mbps / Full
- Country:** United States

Below this information is a table titled 'Registered Subscriber Modules' with a 'Show Details' button. The table has the following columns: MAC Address, IPv4 / IPv6 Addresses, Device Name, SM Distance (miles), Session Time (h:mm:ss), RSSI (dBm) Downlink / Uplink, SNR (dB) Downlink / Uplink, MCS Downlink / Uplink, Downlink Quality, Downlink Capacity, MU-MIMO Gain, and Country. Two rows of data are visible, both for 'De-reg. later' devices.

Figure 67: Monitor > Wireless page (Access Point Mode)

The screenshot shows the 'Monitor > Wireless' page for a Subscriber Module. The interface includes a left-hand navigation menu with options like Status, Installation, Configuration, Monitor, Performance, System, Wireless, Throughput Chart, Network, System Log, and Tools. The main content area displays the following information:

- Registered AP SSID:** GetElevated
- Wireless Status:** Up
- Registered AP MAC Address:** 00:04:56:20:9D:FA
- Operating Frequency:** 5.200 MHz
- Operating Channel Bandwidth:** 20 MHz
- DFS Status:** Not Available
- Downlink RSSI:** -43 dBm
- Downlink SNR:** 47 dB
- Uplink MCS:** DS MCS 7 - 64-QAM 5/6
- Downlink MCS:** DS MCS 9 - 256-QAM 5/6
- Transmit Power:** 3 dBm
- Distance from AP:** 0 miles
- Power Control Mode from AP:** Closed Loop
- Ethernet Status:** Down
- Country:** United States


Below this information is a section for 'Available APs' with a 'Show Details' button. It includes a 'Time Since Last Scan' (0000:19:19:52), 'Registration Status' (Registered), and a 'Restart' button. A table of available APs is shown with columns: Add As Preferred, SSID, MAC Address, Frequency Carrier (MHz), Channel Bandwidth (MHz), RSSI (dBm), SNR (dB), Registration State, Session Time (h:mm:ss), Wireless Security, and Meets Reg C. One row of data is visible for the 'GetElevated' AP.

Figure 68: Monitor > Wireless page (Subscriber Module Mode)

Table 141 Monitor > Wireless page attributes

Attribute	Description
Registered Access Point SSID (Subscriber Module Mode only)	SSID of the Access Point to which the Subscriber Module is registered.
Wireless Status (Access Point Mode)	Up: The device's wireless interface is functioning and sending beacons. Down: The device's wireless interface has encountered an error disallowing full operation. Reset the device to reinitiate the wireless interface.
Wireless Status (Subscriber Module Mode)	Up: The device wireless interface is functioning and the device has completed network entry. Down: The device's wireless interface has encountered an error disallowing full operation. Evaluate radio and security configuration on the Access Point and Subscriber Module device to determine the network entry failure.
Registered Access Point MAC Address (Subscriber Module Mode)	Wireless MAC address of the Access Point to which the Subscriber Module is registered.
Range (Subscriber Module Mode)	The calculated distance from the Access Point, determined by radio signal propagation delay.
Operating Frequency	The current frequency at which the device is operating.
Operating Channel Bandwidth	The current channel size at which the device is transmitting and receiving.
DFS Status	N/A: DFS operation is not required for the region configured in parameter Country Code . Channel Availability Check: Before transmitting, the device must check the configured Frequency Carrier for radar pulses for 60 seconds). If no radar pulses are detected, the device transitions to state In-Service Monitoring . In-Service Monitoring: Radio is transmitting and receiving normally while monitoring for radar pulses that require a channel move. Radar Signal Detected: The receiver has detected a valid radar pulse and is carrying out detect-and-avoid mechanisms (moving to an alternate channel). In-Service Monitoring at Alternative Channel: The radio has detected a radar pulse and has moved the operation to a frequency configured in DFS Alternative Frequency Carrier 1 or DFS Alternative Frequency Carrier 2 .

Attribute	Description
	System Not In Service due to DFS: The radio has detected a radar pulse and has failed channel availability checks on all alternative frequencies. The non-occupancy time for the radio frequencies in which radar was detected is 30 minutes.
Downlink SNR (Subscriber Module Mode)	The Signal-to-Noise Ratio of the signal being received from the Access Point.
Transmitter Power	The current power level at which the device is transmitting.
Uplink MCS (Subscriber Module Mode)	Specifies the current MCS utilized for uplink transmission.
Registered Subscriber Modules (Access Point Mode)	The count of registered Subscriber Modules.
Ethernet Status	The speed and duplex at which the configured LAN port is operating.
Country	Defines the country code being used by the device. The country code of the Subscriber Module follows the country code of the associated Access Point unless it is an FCC SKU in which case the country code is the United States or Canada. Country code defines the regulatory rules in use for the device.
Registered Subscriber Modules (Access Point Mode)	Use the Registered Subscriber Modules table to monitor the registered Subscriber Module device, their key RF status, and statistics information. The Subscriber management interface may also be accessed by clicking the hyperlinks in the IPv4 / IPv6 Addresses and Device Name columns. Click the Deregister button to disassociate the Subscriber Module device from the Access Point.
MAC Address (Access Point Mode)	The MAC address of the Subscriber Module wireless interface.
IPv4 / IPv6 Addresses (Access Point Mode)	The IP address of the Subscriber Module wireless interface.
Device Name (Access Point Mode)	The configured device name of the Subscriber Module wireless interface.

Attribute	Description
SM Distance (miles)	Indicates the calculated distance of the Subscriber Module from the Access Point.
Session Time (hh:mm:ss) (Access Point Mode)	The time duration for which the Subscriber Module has been registered and in session with the Access Point.
RSSI (dBm) Downlink / Uplink	Indicates the estimated RSSI of the AP at the SM (first value) and the RSSI of the SM measured at the AP (second value).
SNR (dB) Downlink / Uplink	Indicates the estimated SNR of the AP at the SM (first value) and the SRN of the SM measured at the AP (second value).
MCS Downlink / Uplink (Access Point Mode)	Current MCS at which the downlink (first value) and uplink (second value) are operating.
Downlink Quality (Access Point Mode)	The downlink quality is based on the current MCS and PER (Packet Error Rate) for this SM.
Downlink Capacity (Access Point Mode)	The downlink capacity is based on the current DL MCS for the highest supported MCS (MCS15). The downlink capacity is based on the current DL MCS for the highest supported MCS (MCS15).
MU-MIMO Gain	Indicates if MU-MIMO is supported by the subscriber and the MU-MIMO gain achieved by MU-MIMO capable subscribers.
Model Name	Model of Subscriber Module
Add As Preferred (Subscriber Module Mode)	Click the Add button  to add the Access Point to the Preferred Access Points List under Configuration > Radio .
SSID (Subscriber Module Mode)	The SSID of the visible Access Point.
MAC Address (Subscriber Module Mode)	The MAC address of the visible Access Point.
Frequency Carrier (MHz) (Subscriber Module Mode)	The current operating frequency of the visible Access Point.

Attribute	Description
Channel Bandwidth (MHz) (Subscriber Module Mode)	The current operating channel bandwidth of the visible Access Point.
RSSI (dBm) (Subscriber Module Mode)	The current measured Received Signal Strength Indicator at the Access Point.
SNR (dB) (Subscriber Module Mode)	The current measured Signal-to-Noise Ratio of the Subscriber Module to Access Point link.
Registration State (Subscriber Module Mode)	<p>The indication of the result of the Subscriber Module device network entry attempt:</p> <p>Successful: Subscriber Module registration is successful</p> <p>Failed: Out of Range: The Subscriber Module is out of the Access Point's configured maximum range (Max Range parameter)</p> <p>Failed: Capacity limit reached at Access Point: The Access Point is no longer allowing Subscriber Module network entry due to capacity reached</p> <p>Failed: No Allocation on Access Point: The Subscriber Module to Access Point handshaking failed due to a misconfigured pre-shared key between the Subscriber Module and Access Point</p> <p>Failed: SW Version Incompatibility: The version of software resident on the Access Point is older than the software version on the Subscriber Module</p> <p>Failed: PTP Mode: ACL Policy: The Access Point is configured with PTP Access set to MAC Limited and the Subscriber Module's MAC address is not configured in the Access Point's PTP MAC Address field</p> <p>Failed: Other: The Access Point does not have the required available memory to allow network entry</p>
Session Time (hh:mm:ss) (Subscriber Module Mode)	This timer indicates the time elapsed since the Subscriber Module registered to the Access Point.
Wireless Security (Subscriber Module Mode)	This field indicates the security state of the Access Point to Subscriber Module link.
Meets Reg Criteria (Subscriber Module Mode)	<p>Yes: The scanned Access Point meets the Network Entry criteria defined by the internal Network Algorithm.</p> <p>No: The scanned Access Point does not meet the Network Entry criteria defined by the internal Network Algorithm.</p>

Monitor > Throughput Chart page

Use the Throughput Chart page to reference a line chart visual representation of system throughput over time. The blue line indicates downlink throughput and the orange line indicates uplink throughput. The X-axis may be configured to display data over seconds, minutes, or hours, and the Y-axis is adjusted automatically based on average throughput. Hover over data points to display details.

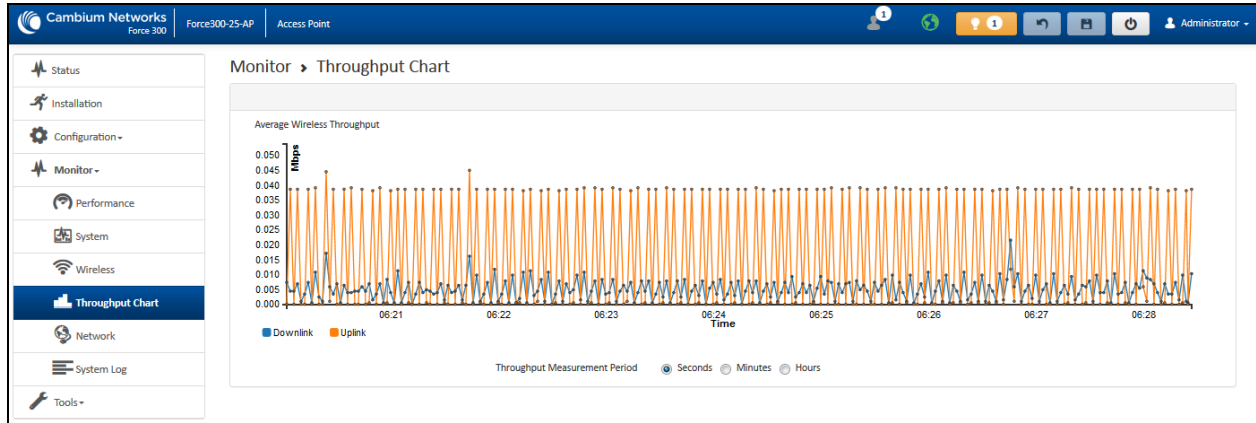


Figure 69: Monitor > Throughput Chart page

Table 142 Monitor > Throughput Chart page attributes

Attribute	Description
Throughput Measurement Period	Adjust the X-axis to display throughput intervals in seconds, minutes, or hours

Monitor > GPS page (Access Point mode)

Use the GPS Status page to reference key information about the device's GPS readings, tracked satellites, and firmware version.

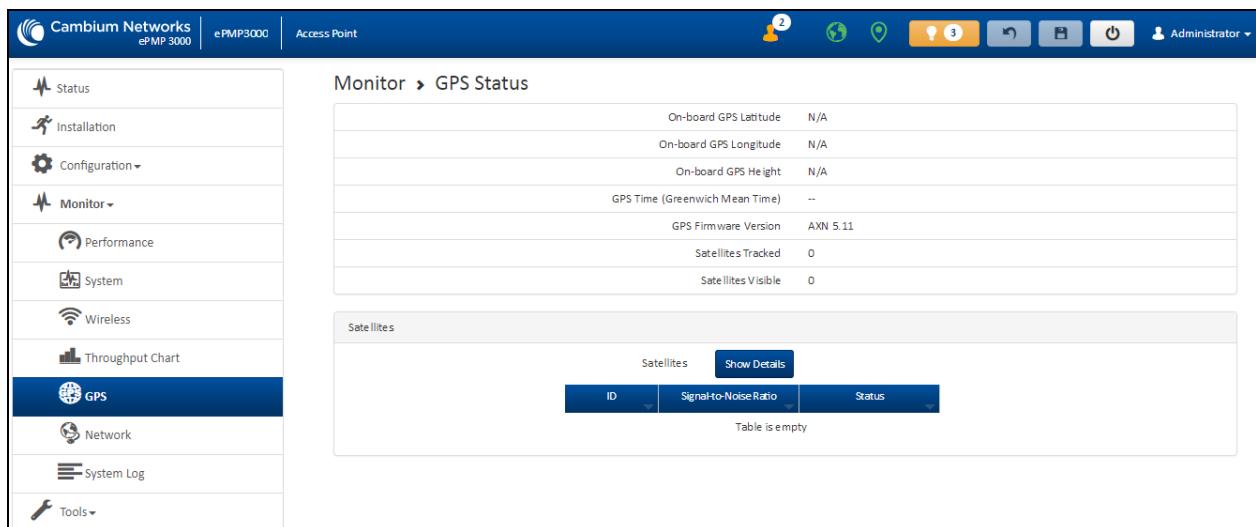


Figure 70: Monitor > GPS page attributes (Access Point mode)

Table 143 Monitor > GPS page attributes (Access Point Mode)

Attribute	Description
On-board GPS Latitude (Access Point Mode)	On a GPS Synchronized ePMP radio, the field is automatically populated with the Device Latitude information from the on-board GPS chip.
On-board GPS Longitude (Access Point Mode)	On a GPS Synchronized ePMP radio, the field is automatically populated with the Device Longitude information from the on-board GPS chip.
On-board GPS Height (Access Point Mode)	On a GPS Synchronized ePMP radio, the field is automatically populated with the Device height above sea level from the onboard GPS chip.
GPS Time (Greenwich Mean Time) (Access Point Mode)	On a GPS Synchronized ePMP radio, the field is automatically populated with the time from the onboard GPS chip.
GPS Firmware version (Access Point Mode)	On a GPS Synchronized ePMP radio, the field indicates the current firmware version of the onboard GPS chip.
Satellites Tracked (Access Point Mode)	On a GPS Synchronized ePMP radio, the field indicates the number of satellites currently tracked by the onboard GPS chip.
Satellites Visible (Access Point Mode)	On a GPS Synchronized ePMP radio, the field indicates the number of satellites visible to the onboard GPS chip.
Satellites (Access Point Mode)	The Satellites table provides information about each satellite that is visible or tracked along with the Satellite ID and Signal to Noise Ratio (SNR) of the satellite.
ID (Access Point Mode)	Represents the Satellite ID.
Signal-to-Noise Ratio (Access Point Mode)	This is an expression of the carrier signal quality concerning signal noise.
Status (Access Point Mode)	Status of each Satellite available.

Monitor > Network page

Use the Network Status page to reference key information about the device network status.

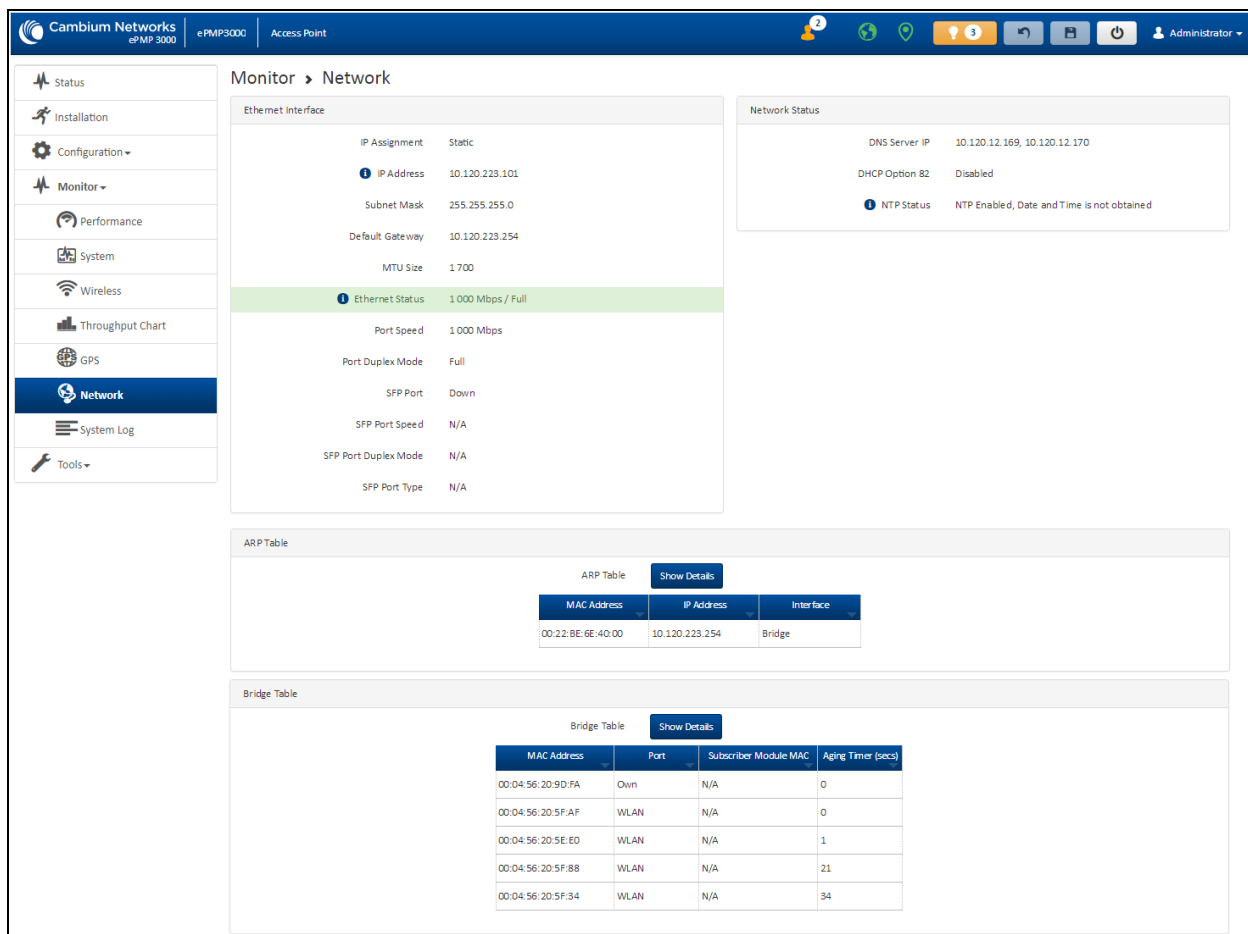


Figure 71: Monitor > Network page

Table 144 Monitor > Network page attributes

Attribute	Description
Ethernet Interface	
IP Assignment	Static: Device management IP addressing is configured manually in fields IP Address , Subnet Mask , Gateway , Preferred DNS Server , and Alternate DNS Server . DHCP: Device management IP addressing (IP Address , Subnet Mask , Gateway , and DNS Server) is assigned via a network DHCP server, and parameters IP Address , Subnet Mask , Gateway , Preferred DNS Server , and Alternate DNS Server are not configurable.
IP Address	Internet protocol (IP) address. This address is used by the family of Internet protocols to uniquely identify this unit on a network. If IP Address Assignment is set to DHCP and the device is unable to retrieve IP address information via DHCP, the device management IP is set to fallback IP 192.168.0.1 (Access Point) or 192.168.0.2 (Subscriber Module).

Attribute	Description
Subnet Mask	Defines the address range of the connected IP network. For example, if Device IP Address (LAN) is configured to 192.168.2.1 and IP Subnet Mask (LAN) is configured to 255.255.255.0, the device will belong to subnet 192.168.2.X.
Default Gateway	Configure the IP address of the device on the current network that acts as a gateway. A gateway acts as an entrance and exit to packets from and to other networks.
MTU Size	The currently configured Maximum Transmission Unit for the device Ethernet (LAN) interface. Larger MTU configurations can enable the network to operate with greater efficiency, but in the case of retransmissions due to packet errors, efficiency is reduced since large packets must be resent in the event of an error.
Main PSU Port	The speed and duplex at which the configured LAN port is operating.
Port Speed	The speed at which the configured LAN port is operating.
Port Duplex Mode	The duplex at which the configured LAN port is operating.
Network Status	
DNS Server IP	The configured IP address(es) of the network DNS servers.
DHCP Option 82	Status of DHCP Option 82 operation in the network.
NTP Status	Represents the status of NTP retrieval in the network.
ARP Table	
MAC Address	MAC Address of the devices on the bridge.
IP Address	IP Address of the devices on the bridge.
Interface	The interface on which the ePMP identified the devices on.
Bridge Table	
MAC Address	The hardware address of the ePMP device.
Port	The port to which the device is connected.
Subscriber Module MAC	MAC Address for the connected Subscriber Module device.
Aging Timer (secs)	Time set for the MAC addresses in the Bridge table before renewal.

Monitor > System Log page

Use the System Log page to view the device system log and to download the log file to the accessing PC/device.

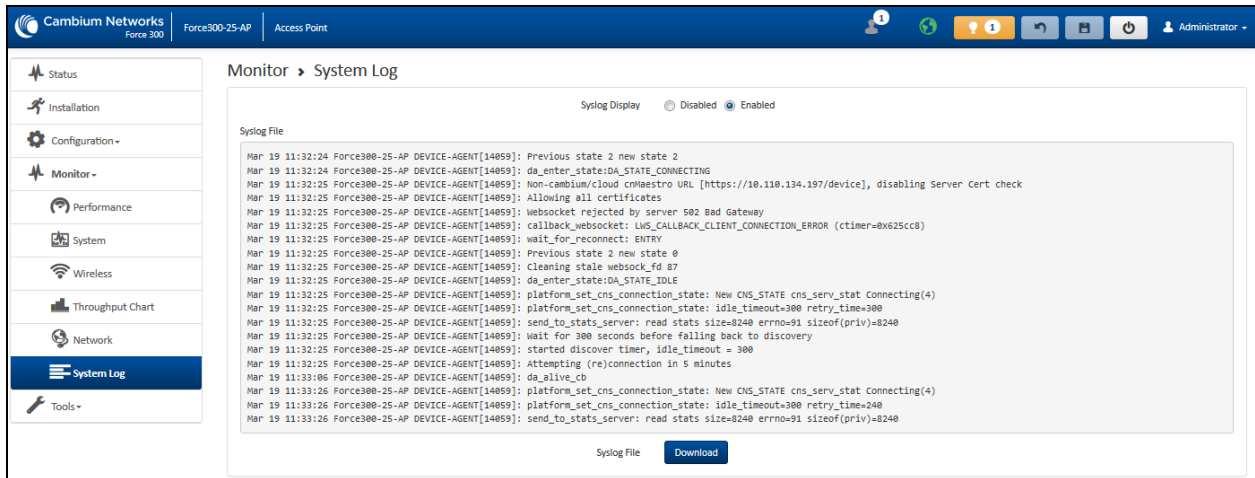


Figure 72: Monitor > System Log page

Table 145 Monitor > System Log page attributes

Attribute	Description
Syslog Display	Enabled: The system log file is displayed on the management GUI. Disabled: The system log file is hidden on the management GUI.
Download	Use this button to download the full system log file to a connected PC or device.

Tools menu

The **Tools** menu provides several options for upgrading device software, configuration backup/restore, managing licenses, analyzing RF spectrum, testing the wireless link, testing network connectivity, and analyzing interferers.

Tools > Software Upgrade page

Use the **Software Upgrade** page to update the device radio software to take advantage of new software features and improvements.



Attention

Read the Release Notes associated with each software release for special notices, feature updates, resolved software issues, and known software issues.

The Release Notes may be accessed at the [Cambium Support Center](#).

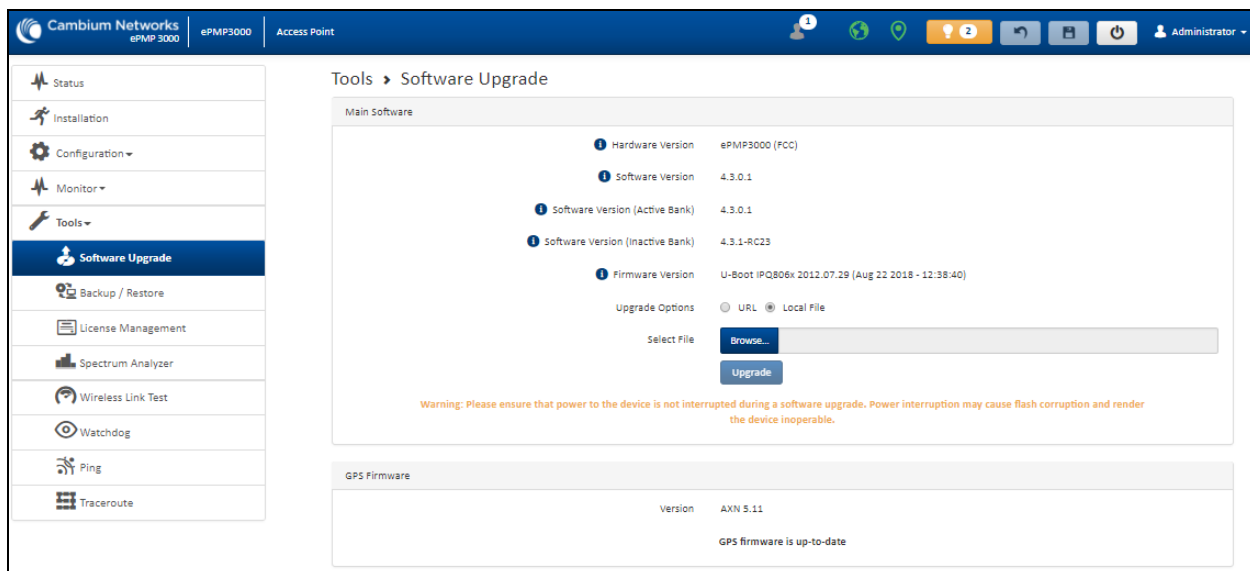


Figure 73: Tools > Software Upgrade page

Table 146 Tools > Software Upgrade page attributes

Attribute	Description
Main Software	
Hardware Version	Defines the board type and frequency band of operation.
Software Version	Defines the current operating software version.
Software Version (Active Bank)	ePMP devices two banks of flash memory which each contain a version of the software. The version of the software last upgraded onto the Flash memory is made the Active Bank. This software will be used by the device when rebooted.
Software Version (Inactive Bank)	The version of the software that was the Active Bank is made the Inactive Bank when another version of the software is upgraded onto the Flash memory. The Inactive Bank of the software will be used by the device in case the Active Bank cannot be used due to a failure condition.
Firmware Version	The current U-boot version.
Upgrade Options	<p>URL: A web server may be used to retrieve software upgrade packages (downloaded to the device via the webserver). For example, if a web server is running at IP address 192.168.2.1 and the software upgrade packages are located in the home directory, an operator may select an option From URL and configure the Software Upgrade Source field to http://192.168.2.1/<software_upgrade_package>.</p> <p>Local File: Click Browse to select the local file containing the software upgrade package.</p>

Attribute	Description
Select File	Click Browse to select a local file (located on the device accessing the web management interface) for upgrading the device software.
Upgrade	Click the Upgrade button to begin the software upgrade process. Please ensure that power to the device is not interrupted during a software upgrade. Power interruption may cause flash corruption and render the device inoperable.
GPS Firmware	
Firmware Version	The current firmware of the on-board GPS chip.
Upgrade Options	URL: A web server may be used to retrieve GPS firmware upgrade packages (downloaded to the device via the webserver). For example, if a web server is running at IP address 192.168.2.1 and the firmware upgrade packages are located in the home directory, an operator may select an option From URL and configure the GPS Firmware Upgrade Source field to http://192.168.2.1/<firmware_upgrade_package> . Local File: Click Browse to select the local file containing the GPS firmware upgrade package.
Select File	Click Browse to select a local file (located on the device accessing the web management interface) for upgrading the on-board GPS chip firmware.

Tools > Backup/Restore page

Use the **Backup/Restore** page to update the device radio software to take advantage of new software features and improvements.

The screenshot displays the Cambium Networks ePMP 3000 web management interface. The top navigation bar shows the user is logged in as Administrator. The left sidebar contains various system management tools, with 'Backup / Restore' currently selected. The main content area is titled 'Tools > Backup / Restore' and is divided into four sections:

- Backup Configuration:** Features a 'Configuration File Format' section with radio buttons for 'Text (Editable)' (selected) and 'Binary (Secured)', and a 'Download' button.
- Restore Configuration:** Includes a 'Select File' field with a 'Browse...' button, a 'Skip unsupported configuration elements' checkbox (checked), and radio buttons for 'Disabled' (selected) and 'Enabled'. An 'Upload' button is also present.
- Factory Default configuration:** Contains several options with radio buttons: 'Reset Via Power Sequence' (Disabled/Enabled), 'Retain Passwords' (Disabled/Enabled), 'Keep Passwords' (Disabled/Enabled), and 'Reset to Factory Defaults' (Disabled/Enabled). A 'Reset' button is located at the bottom of this section.
- Backup Technical Support File:** A simple section with a 'Download' button.

Figure 74: Tools > Backup/Restore page

Table 147 Tools > Backup/Restore page attributes

Attribute	Description
Backup Configuration	
Configuration File Format	<p>Text (Editable): Choosing this option will download the configuration file in the .json format and can be viewed and/or edited using a standard text editor.</p> <p>Binary (Secured): Choosing this option will download the configuration file in the .bin format, and cannot be viewed and/or edited using an editor. Use this format for a secure backup.</p>
Restore Configuration	
Select File	Click Browse to select a local file (located on the device accessing the web management interface) for restoring the device configuration.
Skip unsupported configuration elements	In the case of configuration incompatibility, the unsupported configuration elements can be ignored and skipped.
Factory Default Configuration	
Reset Via Power Sequence	<p>Enabled: When Enabled, it is possible to reset the radio's configuration to factory defaults using the power cycle sequence explained under Resetting ePMP to factory defaults by power cycling.</p> <p>Disabled: When Disabled, it is not possible to factory default the radio's configuration using the power cycle sequence.</p>
Retain Passwords	<p>When set to Enabled, then after a factory default of the radio for any reason, the passwords used for GUI and CLI access will not be defaulted and will remain unchanged. The default value of this field is Disabled.</p> <p>If the passwords cannot be retrieved after the factory default, access to the radio will be lost/unrecoverable. This feature prevents unauthorized users from gaining access to the radio for any reason, including theft.</p>
Keep Passwords	When the Keep Passwords checkbox is selected, the passwords used for GUI and CLI access will not be defaulted and will remain unchanged. This is a one-time option, and it does not apply to factory default procedures completed by power cycling (Reset Via Power Sequence).
Reset to Factory Defaults	<p>Use this button to reset the device to its factory default configuration.</p> <p>A reset to factory default configuration resets all device parameters. With the Subscriber Module device in the default configuration, it may not be able to register to an Access Point device configured for your network.</p>
Backup Technical Support File	
Download	The Backup Technical Support File is a compressed archive of the applicable statistics and configuration parameters used by Cambium Support for troubleshooting. This file is downloaded from the ePMP device to the accessing device.

Tools > License Management page (Access Point Mode)

The AP's **License Management** page is used to:

- Install licensing for ePMP Elevate subscriber access allotments
- Convert the AP from Lite (10 subscribers) to Full (120 subscribers)
- Configure the Country Code ETSI-locked devices

There are two types of ePMP Elevate license management mechanisms available on the ePMP device - Flexible and Fixed, described below:

The screenshot shows two panels side-by-side. The left panel is titled 'Flexible Licensing' and has a blue header. It contains text explaining that licenses are stored on a server and shared among APs. Below this, it lists requirements for using flexible licensing: making HTTPS requests, running firmware 3.5+, and having an NTP source. A blue button labeled 'Use Flexible Licensing' with a right-pointing arrow is at the bottom. The right panel is titled 'Fixed Licensing' and has a light gray header. It explains that a license key is generated for a specific MAC address. Below, it lists when to use fixed licensing: no internet access, older firmware (3.4.1 or earlier), or no NTP source. A blue button labeled 'Use Fixed Licensing' with a right-pointing arrow is at the bottom.

Figure 75: AP ePMP Elevate license management options



Note

Elevate Flexible Licensing is available only for ePMP AP devices with GPS sync.

Country Code configuration for ETSI locked device and Full Capacity Keys for AP Lite devices are available only via Fixed License Management. Elevate is available via Fixed or Flexible License Management.



Note

To use flexible licensing, the AP must have DNS server access to be able to resolve URLs (and communicate with the license server). Also, the AP must have a valid, accurate time server (NTP) connection.

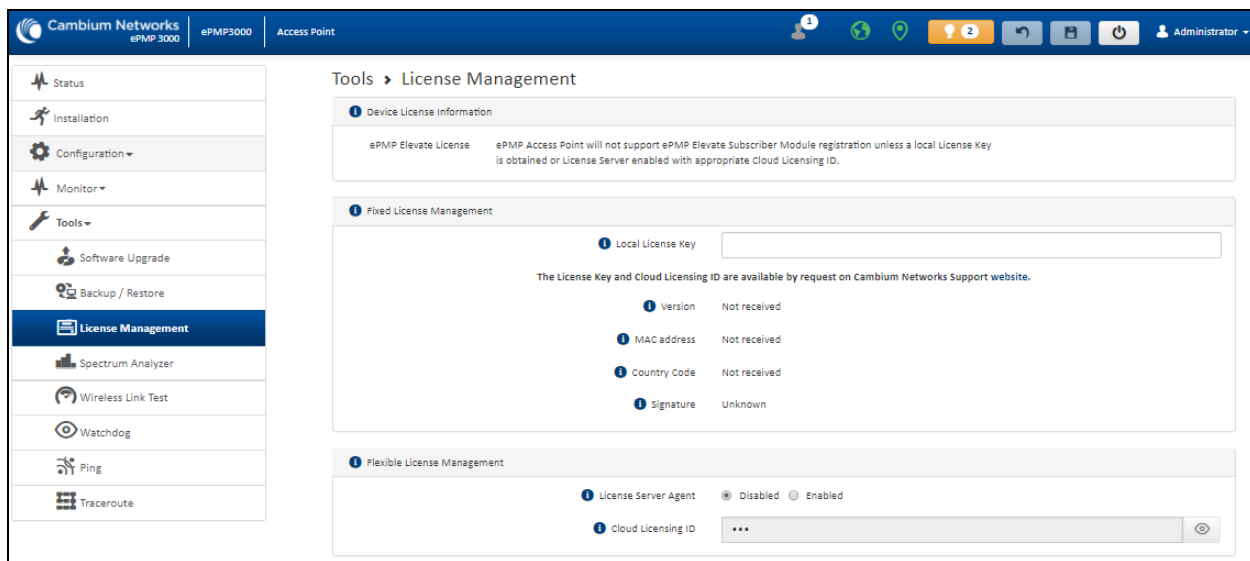


Figure 76: Tools > License Management page

Table 148 Tools > License Management attributes

Attribute	Description
Flexible License Management	
License Server Agent	Disabled: No communication with the License Server is established Enabled: Enables License Server functionality to obtain the number of allowed ePMP Elevate SMs to be connected to the AP
Cloud Licensing ID	This field represents a Cambium Networks customer identification used for AP identification on the License Server. This identifier is generated upon License Entitlement activation at the Cambium Networks web-based Support Center.
Connection Status	The Connection Status displays the License Server process state when the License Server Agent is Enabled . This status may also be referenced on the device Home page.
Enable Proxy	Disabled: The AP must have a valid internet connection to reach the license server Enabled: A proxy server is specific for the license server access from a private network
Proxy Server IP Address	Specify the IP address of the proxy server used for internet access from a private network
Proxy Server Port	Specify the port used on the proxy server for internet access from a private network
Refresh Requests Failed	The number of failed refresh (polling) requests to the License Server. The ePMP Elevate Subscriber Module Limit resets to 1 after the 3 rd failed refresh request.

Attribute	Description
Update Requests Failed	The number of failed updates (licensing information transfer) requests to the License Server. The ePMP Elevate Subscriber Module Limit resets to 1 after the 5 th failed updated request.
NTP Status	Represents whether or not the current time and date have been retrieved from the configured NTP server
ePMP Elevate Subscriber Module Limit	The number of ePMP Elevate devices allowed to register to the AP
Flexible License Management	
Local License Key	The "License Key" is obtained from support.cambiumnetworks.com and must be entered into this field to enable additional functionality (registration capacity, ePMP Elevate support) of the ePMP device.
Version	Specifies the licensing version scheme for the License Key
MAC address	The MAC Address is extracted from the License Key and must match the MAC Address of this device for the licenses to be enacted.
Country Code	A two-character value representing the licensed country
Subscriber Module Limit	ePMP Lite / Force 110 devices are limited to 10 SMs in AP TDD mode. SM Limit will display Unlocked if a license is present which allows no limit of SMs to register to the device in AP TDD mode.
Signature	A valid License Key must have a valid signature included. The status is displayed after a License Key is entered and saved. Licenses can only be used if the signature is valid.

Tools > Spectrum Analyzer page

The Spectrum Analyzer feature is no longer available from the web User Interface. This tool is now available as a stand-alone application and can be downloaded from the Cambium Networks Support site. https://support.cambiumnetworks.com/files/epmp_tools_and_docs.

Tools > eAlign page

Use the eAlign page to aid with subscriber link alignment.

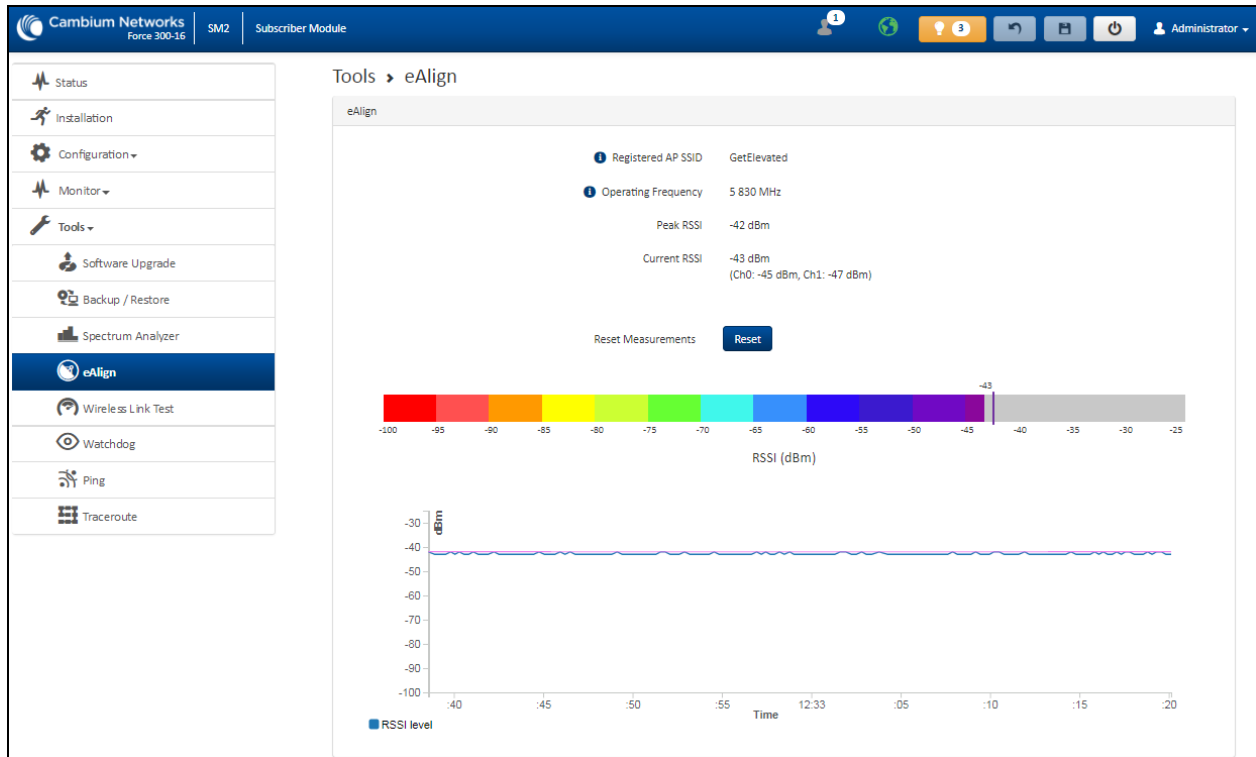


Figure 77: Figure 61 Tools > eAlign page



Note

A valid link to an SM is required to provide meaningful RSSI measurements.



Attention

ePMP supports Automatic Transmit Power Control (ATPC) where the Subscriber Module devices are instructed by the Access Point to adjust their Tx power for the Subscriber Module device signal (UL RSSI) to arrive at the Access Point at a predetermined RSSI level (configurable on the Access Point under **Configuration > Radio > Power Control > Subscriber Module Target Receive Level**). This feature is beneficial to keep the overall noise floor in the sector to an acceptable level. However, the feature negates the purpose of eAlign measurements on the Access Point device since, during the alignment, the Subscriber Module may constantly change its Tx power. It is recommended to turn off ATPC and set the Subscriber Module Tx power to maximum allowable power during alignment.

While aligning the link using eAlign, please follow these steps:

Procedure:

1. On the Subscriber Module, set **Configuration > Radio > Power Control > Max Tx Power to Manual**.
2. Set **Configuration > Radio > Power Control > Transmitter Power** to 26 dBm (or maximum value allowed by regulations).
3. Click the **Save** button

4. Perform link alignment using eAlign.
5. Once alignment is complete, set **Configuration > Radio > Power Control > Max Tx Power** back to Auto
6. Click the **Save** button

Tools > Wireless Link Test page

Use the Wireless Link Test page to conduct a simple test of wireless throughput. This allows the user to determine the throughput that can be expected on a particular link without having to use external tools.

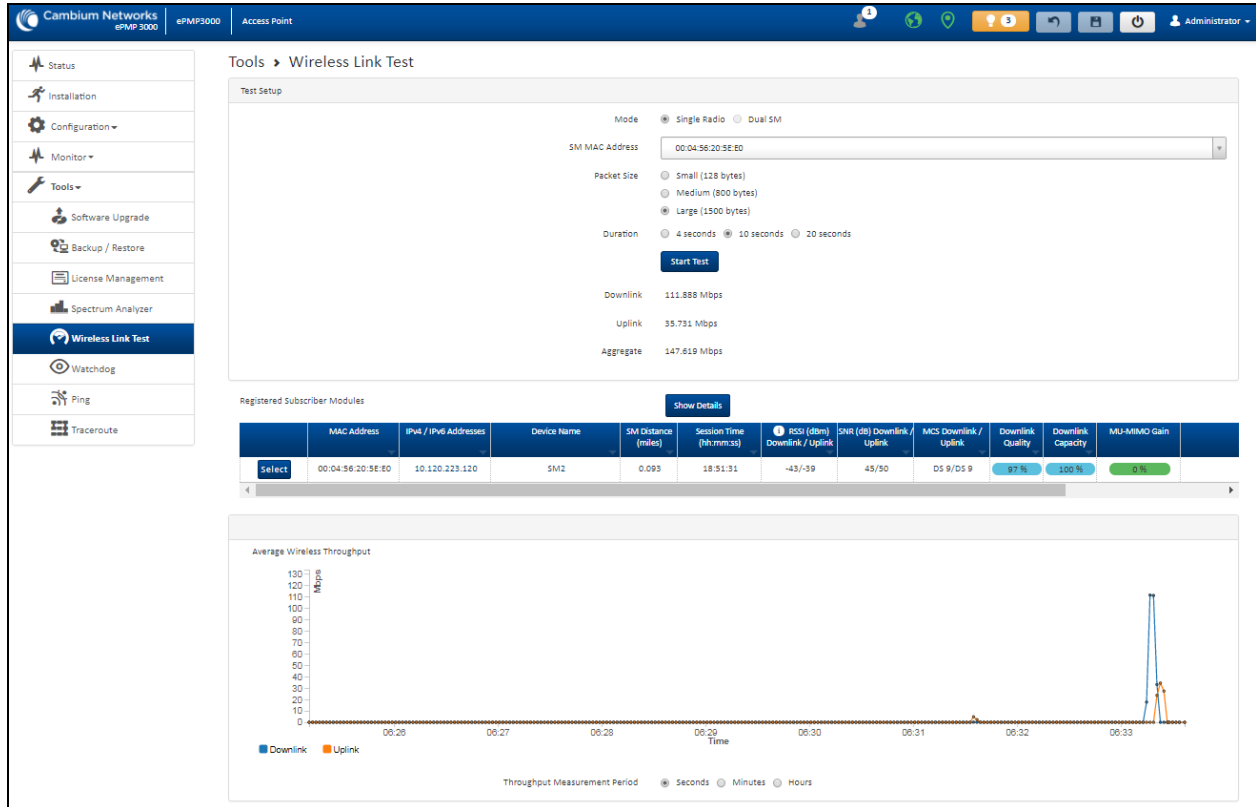


Figure 78: Tools > Wireless Link Test page

Table 149 Tools > Wireless Link Test page attributes

Attribute	Description
Test Setup	
Mode	<p>Single Radio: The link test is conducted between the Access Point and one Subscriber Module</p> <p>Dual SM: The link test is conducted between the Access Point and two grouped Subscriber Modules (must be operating in MU-MIMO mode).</p>

Attribute	Description
SM MAC Address	Choose the MAC Address of the Subscriber Module with which the wireless link test will be conducted.
Packet Size	Choose the Packet Size to use for the throughput test
Duration	Choose the time duration in seconds to use for the throughput test
Downlink	This field indicates the result of the throughput test on the downlink, in Mbps
Uplink	This field indicates the result of the throughput test on the uplink, in Mbps
Average	An auto-adjusting chart displaying the average throughput of the link
Registered Subscriber Modules	This table provides information about the wireless link of each registered Subscriber Module.

Tools > Watchdog page

Watchdog performs ping checks to determine the reachability of a target IP address. If the target IP address is unreachable, a chosen action is performed.

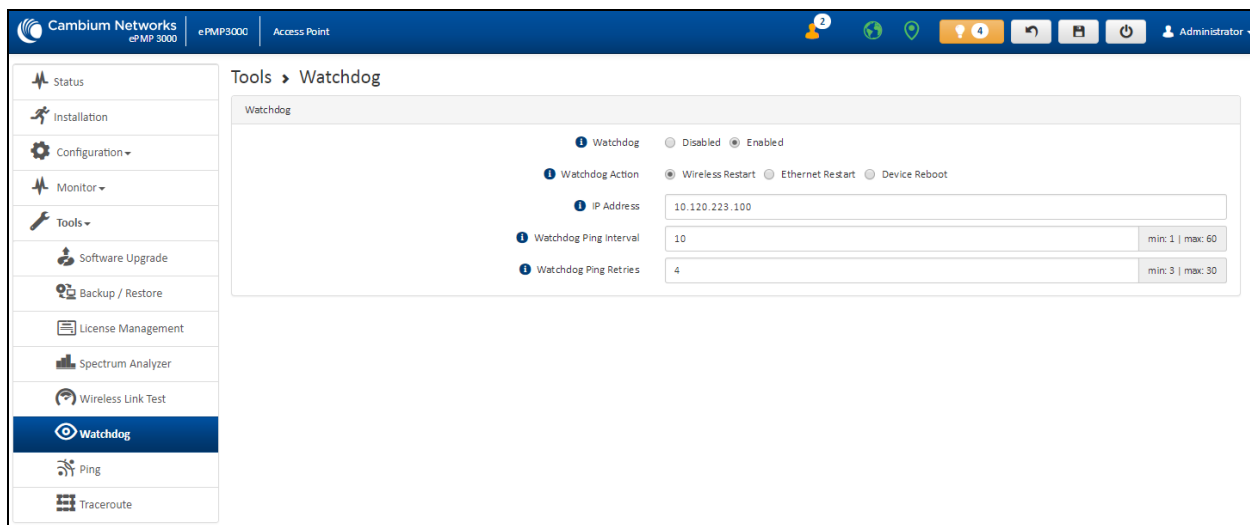


Figure 79: Tools > Watchdog page

Table 150 Tools > Watchdog page attributes

Attribute	Description
Test Setup	
Watchdog	<p>Disabled: The device does not ping a specified IP address periodically for verification of connectivity</p> <p>Enabled: The device periodically pings the IP address specified. If IP connectivity is lost, the action defined in Watchdog Action is performed.</p>

Attribute	Description
Watchdog Action	<p>Wireless Restart: In case of lost ping connectivity to the specified IP address, the device automatically restarts the wireless interface.</p> <p>Ethernet Restart: In case of lost ping connectivity to the specified IP address, the device automatically restarts the Ethernet interface.</p> <p>Device Reboot: In case of lost ping connectivity to the specified IP address, the device automatically reboots.</p>
IP Address	Indicates the target IP address for which the device attempts ping connectivity diagnostics.
Watchdog Ping Interval	Indicates the interval in minutes between each ping connectivity diagnostic.
Watchdog Ping Retries	Indicates the number of ping retries executed by the device before considering the test failed (and conducting the action defined in Watchdog Action).

Tools > Ping page

Use the Ping page to conduct a simple test of IP connectivity to other devices that are reachable from the network. If no ping response is received or if “Destination Host Unreachable” is reported, the target may be down, there may be no route back to the device, or there may be a failure in the network hardware (i.e. DNS server failure).

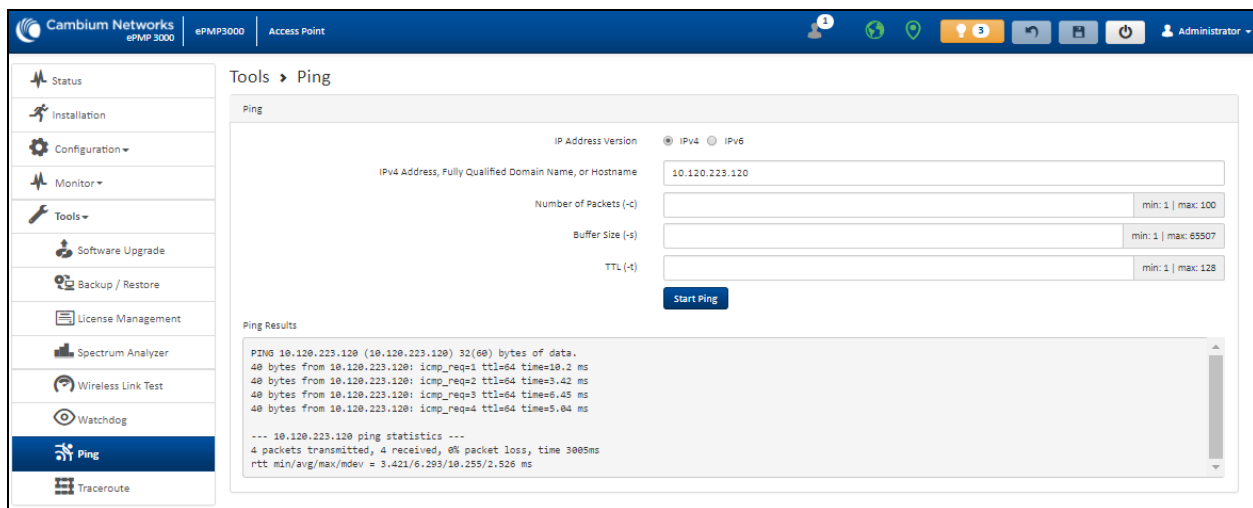


Figure 80: Tools > Ping page

Table 151 Tools > Ping page attributes

Attribute	Description
Ping	
IP Address Version	IPv4: The ping test is conducted via the IPv4 protocol.

Attribute	Description
	IPv6: The ping test is conducted via the IPv6 protocol.
IP Address	Enter the IP address of the ping target.
Number of packets (-c)	Enter the total number of ping requests to send to the target.
Buffer size (-s)	Enter the number of data bytes to be sent.
TTL (-t)	Set the IP Time-To-Live (TTL) for multicast packets. This flag applies if the ping target is a multicast address.
Ping results	The results of the ping test are displayed in the box.

Tools > Traceroute page

Use the Traceroute page to display the route (path) and associated diagnostics for IP connectivity between the device and the destination specified.

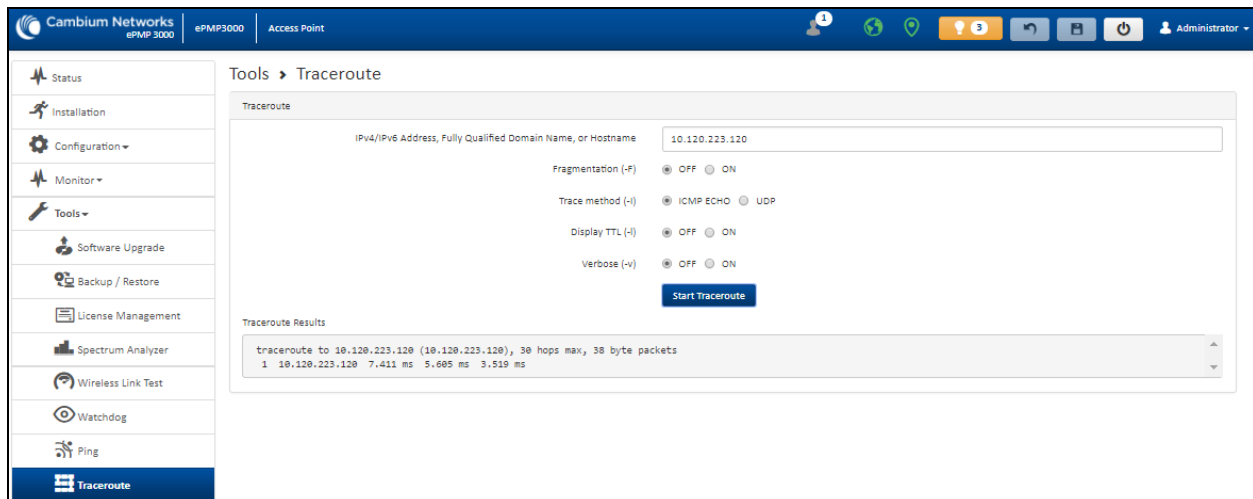


Figure 81: Tools > Traceroute page

Table 152 Tools > Traceroute page attributes

Attribute	Description
Traceroute	
IP Address	Enter the IP address of the target of the traceroute diagnostic.
Fragmentation (-F)	ON: Allow the source and target to fragment probe packets. OFF: Do not fragment probe packets (on the source or target).
Trace method (-I)	ICMP ECHO: Use ICMP ECHO for traceroute probes. UDP: Use UDP for traceroute probes.

Attribute	Description
Display TTL (-l)	<p>ON: Display TTL values for each hop on the route.</p> <p>OFF: Suppress display of TTL values for each hop on the route.</p>
Verbose (-v)	<p>ON: ICMP packets other than TIME_EXCEEDED and UNREACHABLE are displayed in the output.</p> <p>OFF: Suppress display of extraneous ICMP messaging.</p>
Traceroute Results	Traceroute test results are displayed in the box.

Chapter 5: Operation and Troubleshooting

This chapter provides instructions for operators of ePMP networks. The following topics are described in this chapter:

- [General Planning for troubleshooting](#)
- [Upgrading device software](#)
- [Testing hardware](#)
- [Troubleshooting the radio link](#)
- [Resetting ePMP to factory defaults by power cycling](#)

General Planning for troubleshooting

Effective troubleshooting depends in part on measures that you take before you experience trouble in your network. Cambium recommends the following measures for each site:

Procedure:

1. Identify troubleshooting tools that are available at your site (such as a protocol analyzer).
2. Identify commands and other sources that can capture baseline data for the site. These may include:
 - Ping
 - tracert or traceroute
 - Throughput Test results
 - Throughput data
 - Configure GUI page captures
 - Monitor GUI page captures
 - Session logs
3. Start a log for the site, including:
4. Operating procedures
 - Site-specific configuration records
 - Network topology
 - Software releases
 - Types of hardware deployed
 - Site-specific troubleshooting process

- Escalation procedures
- GPS latitude/longitude of each network element

Upgrading device software

To take advantage of new features and software improvements for the ePMP system, monitor the Cambium Networks PMP Software website: <https://support.cambiumnetworks.com/files/epmp>

To upgrade the device software, follow this procedure:

Procedure:

1. Log in to the device GUI via the management IP.
2. Navigate to page **Tools, Software Upgrade**.
3. Under the **Main Software** section, set the **Upgrade Option** to **URL** to pull the software file from a network software server or select **Local File** to upload a file from the accessing device. If **URL** is selected, enter the server IP address, Server Port, and File path.
4. If **Local File** is selected, click **Browse** to launch the file selection dialogue.
Click **Upgrade**
5. Do not power off the unit in the middle of an upgrade process.
6. Once the software upgrade is complete, click the **Reset** icon.

Testing hardware

This section describes how to test the hardware when it fails on startup or during operation.

Before testing hardware, confirm that all outdoor cables, that is those that connect the device to equipment inside the building, are of the supported type, as defined in [Ethernet cabling](#).

Checking the power supply LED

When the power supply is connected to the main power supply, the expected LED behavior is:

- The Power (Green) LED illuminates steadily.

If the expected LED operation does not occur, or if a fault is suspected in the hardware, check the LED states and choose the correct test procedure:

- [Power LED is off](#)
- [Ethernet LED is off](#)

Power LED is off

Meaning: Either the power supply is not receiving power from the AC/DC outlet, or there is a wiring fault in the unit.

Action: Remove the device cable from the PSU and observe the effect on the Power LED. If the Power LED does not illuminate, confirm that the mains power supply is working, for example, check the plug. If the power supply is working, report a suspected power supply fault to Cambium Networks.

Ethernet LED is off

Meaning: There is no Ethernet traffic between the device and the power supply.

Action: The fault may be in the LAN or device cable:

- Remove the LAN cable from the power supply, examine it, and confirm it is not faulty.
- If the PC connection is working, remove the AP/SM cable from the power supply, examine it, and check that the wiring to pins 1,2 and 3,6 is correct and not crossed.

Test Ethernet packet errors reported by the device

Log in to the device and click Monitor, Performance. Click Reset System Counters at the bottom of the page and wait until LAN RX – Total Packet Counter has reached 1 million. If the counter does not increment or increments too slowly, because for example the ePMP system is newly installed and there is no offered Ethernet traffic, then abandon this procedure and consider using the procedure [Test ping packet loss](#).

Check the **LAN RX – Error Packet Counter** statistic. The test has passed if this is less than 10.

Test Ethernet packet errors reported by managed switch or router

If the device is connected to a managed Ethernet switch or router, it may be possible to monitor the error rate of Ethernet packets. Please refer to the user guide of the managed network equipment. The test has passed if the rate of packet errors reported by the managed Ethernet switch or router is less than 10 in 1 million packets.

Test ping packet loss

Using a computer, it is possible to generate and monitor packets lost between the power supply and the AP/SM. This can be achieved by executing the Command Prompt application which is supplied as standard with Windows and Mac operating systems.



Attention

This procedure disrupts network traffic carried by the device under test.

Procedure:

1. Ensure that the IP address of the computer is configured appropriately for connection to the device under test, and does not conflict with other devices connected to the network.
2. If the power supply is connected to an Ethernet switch or router then connect the computer to a spare port, if available.
3. If it is not possible to connect the computer to a spare port of an Ethernet switch or router, then the power supply must be disconnected from the network in order to execute this test:
 - Disconnect the power supply from the network.
 - Connect the computer directly to the LAN port of the power supply.
4. On the computer, open the Command Prompt application.

5. Send 1000 ping packets of length 1500 bytes. The process will take 1000 seconds, which is approximately 17 minutes.

If the computer is running a Windows operating system, this is achieved by typing (for an IPv6 address, use the ping6 command):

```
ping -n 1000 -l 1500 <ipaddress>
```

where <ipaddress> is the IP address of the AP or SM under test.

If the computer is running a MAC operating system, this is achieved by typing:

```
ping -c 1000 -s 1492 <ipaddress>
```

where <ipaddress> is the IP address of the AP/SM under test.

6. Record how many Ping packets are lost. This is reported by Command Prompt on completion of the test.

The test has passed if the number of lost packets is less than 2.

Troubleshooting the radio link

This section describes how to test the link when there is no radio communication, when it is unreliable, or when the data throughput rate is too low. It may be necessary to test both ends of the link.

The module has lost or does not establish radio connectivity

If there is no wireless activity, follow the below procedure:

Procedure:

1. Check that the devices are configured with the same **Frequency Carrier**.
2. Check that the **Channel Bandwidth** is configured the same at both ends of the link.
3. On the Access Point, verify that the **Max Range** setting is configured to a distance slightly greater than the distance between the Access Point and the other end of the link.
4. Check that the Access Point **Synchronization Source** is configured properly based on the network configuration.
5. Verify the authentication settings on the devices. If **Authentication Type** is set to **WPA2**, verify that the **Pre-shared Key** matches between the Access Point and the Subscriber Module **Preferred Access Points List**.
6. Check that the software at each end of the link is the same version.
7. Check that the desired Access Point SSID is configured in the Subscriber Module **Preferred Access Points List**.
8. On the Subscriber Module, check the **DL RSSI** and **DL CINR** values. Verify that for the Subscriber Module installed distance, that the values are consistent with the values reported by the LINKPlanner tool.
9. Check Tx Power on the devices.
10. Check that the link is not obstructed or misaligned.

11. Check the DFS status page (**Monitor, System Status**) at each end of the link and establish that there is a quiet wireless channel to use.
12. If there are no faults found in the configuration and there is absolutely no wireless signal, retry the installation procedure.
13. If this does not work then report a suspected device fault to Cambium Networks.

Module exhibiting frequent boots or disconnects

For any Force 300-16 units exhibiting frequent disconnects or reboots, the 4.4 official release must be applied twice to ensure both banks are updated. Once completed, Ensure both banks are running 4.4 under **Monitor > System**. In general, this practice can be followed for all 802.11ac models as they support two banks for software storage.

Link is unreliable or does not achieve the data rates required

If there is some activity but the link is unreliable or does not achieve the data rates required, proceed as follows:

Procedure:

1. Check that the interference has not increased by monitoring the uplink and downlink CINR values reported in the Access Point page **Monitor > Wireless Status**.
2. Check that the RSSI values reported at the device are proper based on the distance of the link - the LINKPlanner tool is designed to estimate these values.
3. Check that the path loss is low enough for the communication rates required.
4. Check that the device has not become misaligned.
5. Review your Quality of Service configuration and ensure that traffic is properly classified and prioritized.

Resetting ePMP to factory defaults by power cycling

Operators may reset an ePMP radio to the default factory configuration by a sequence of power cycling (removing and re-applying power to the device). This procedure allows operators to perform a factory default reset without a tower climb or additional tools. The procedure is depicted in .

Procedure:

1. Remove the Ethernet cable from the PoE jack of the power supply for at least 10 seconds.
2. Reconnect the Ethernet cable to re-supply power to the ePMP device for **3-5 seconds** and disconnect the cable to power off the ePMP device for 3-5 seconds. (1st power cycle).
3. Reconnect the Ethernet cable to re-supply power to the ePMP device for **3-5 seconds** and disconnect the cable to power off the ePMP device for 3-5 seconds. (2nd power cycle).
4. Reconnect the Ethernet cable to re-supply power to the ePMP device for **3-5 seconds** and disconnect the cable to power off the ePMP device for 3-5 seconds. (3rd power cycle).

5. Reconnect the Ethernet cable to re-supply power to the ePMP device for **3-5 seconds** and disconnect the cable to power off the ePMP device for 3-5 seconds. (4th power cycle).
6. Reconnect the Ethernet cable to re-supply power to the ePMP device for at least **30 seconds** and allow it to go through the boot-up procedure (Note: Device will go through an additional reset automatically). This will reset the current configuration files to factory default configuration (e.g. IP addresses, Device mode, RF configuration, etc.). The device can be pinged from a PC to check if boot-up is complete (Successful ping replies indicate boot-up is complete).
7. Access the ePMP device using the default IP address of 192.168.0.1 (AP) or 192.168.0.2 (SM).

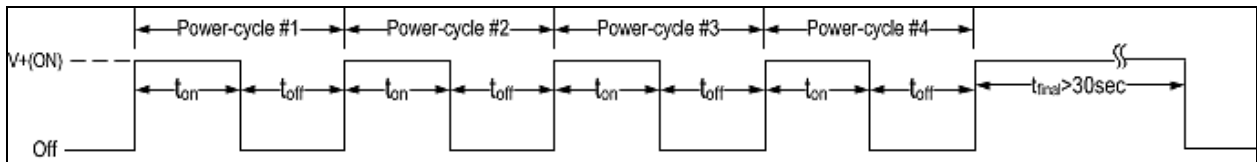


Figure 82: Power cycle timings

Where:	Is:
V+(ON)	Power through PoE has been applied to the device
Off	Power through PoE has been removed from the device
t_{on}	The time duration for which the device has been powered on. This should be 3-5 seconds.
t_{off}	The time duration for which the device has been powered off. This should be 3-5 seconds.

Glossary

Term	Definition
AES	Advanced Encryption Standard
ANSI	American National Standards Institute
CINR	Carrier to Interference plus Noise Ratio
CMM	Cluster Management Module
DFS	Dynamic Frequency Selection
EIRP	Equivalent Isotropically Radiated Power
EMC	Electromagnetic Compatibility
EMD	Electromagnetic Discharge
ETH	Ethernet
ETSI	European Telecommunications Standards Institute
FCC	Federal Communications Commission
FEC	Forward Error Correction
GUI	Graphical User Interface
HTTP	Hypertext Transfer Protocol
IC	Industry Canada
IEEE	Institute of Electrical and Electronics Engineers
IP	Internet Protocol
LAN	Local Area Network
LED	Light Emitting Diode
LoS	Line of Sight
MIMO	Multiple In Multiple Out
MIR	Maximum Information Rate
MU-MIMO	Multi-User Multiple In Multiple Out
MTU	Maximum Transmission Unit
nLOS	Near Line of Sight
NTP	Network Time Protocol
OFDM	Orthogonal Frequency Division Multiplexing
PC	Personal Computer

Term	Definition
PMP	Point to Multipoint
PTP	Point to Point
QAM	Quadrature Amplitude Modulation
QPSK	Quadrature Phase Shift Keyed
RF	Radio Frequency
RMA	Return Merchandise Authorization
RSSI	Received Signal Strength Indication
RTTT	Road Transport and Traffic Telematics
RX	Receive
SAR	Standard Absorption Rate
SNMP	Simple Network Management Protocol
SW	Software
TDD	Time Division Duplex
TDWR	Terminal Doppler Weather Radar
TX	Transmit
UNII	Unlicensed National Information Infrastructure
URL	Uniform Resource Locator

Cambium Networks

Cambium Networks delivers wireless communications that work for businesses, communities, and cities worldwide. Millions of our radios are deployed to connect people, places and things with a unified wireless fabric that spans multiple standards and frequencies of fixed wireless and Wi-Fi, all managed centrally via the cloud. Our multi-gigabit wireless fabric offers a compelling value proposition over traditional fiber and alternative wireless solutions. We work with our Cambium certified ConnectedPartners to deliver purpose-built networks for service provider, enterprise, industrial, and government connectivity solutions in urban, suburban, and rural environments, with wireless that just works.

User Guides	http://www.cambiumnetworks.com/guides
Technical training	https://learning.cambiumnetworks.com/learn
Support website (enquiries)	https://support.cambiumnetworks.com
Main website	http://www.cambiumnetworks.com
Sales enquiries	solutions@cambiumnetworks.com
Warranty	https://www.cambiumnetworks.com/support/standard-warranty/
Telephone number list	http://www.cambiumnetworks.com/contact-us/
Address	Cambium Networks Limited, Unit B2, Linhay Business Park, Eastern Road, Ashburton, Devon, TQ13 7UP United Kingdom



Cambium Networks and the stylized circular logo are trademarks of Cambium Networks, Ltd. All other trademarks are the property of their respective owners.

© Copyright 2022 Cambium Networks, Ltd. All rights reserved.