

## DS-KV6114-WBE1 Villa door station



- 4MP higher resolution with 150° viewing angle
- 2 locks control
- Multiple unlocking methods: Card, Bluetooth, Hik-Connect, indoor station
- Video recording and playback via Hik-Connect or PC web
- Standard IEEE802.3at PoE power supply

## ▪ Specification

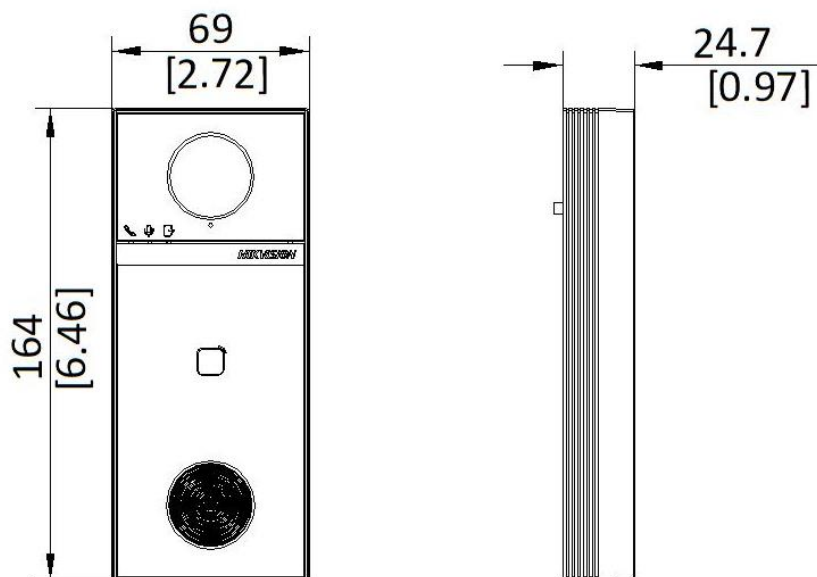
System parameters	
Operation system	Linux
ROM	4 GB
RAM	512 MB
Processor	Embedded high performance processor
Video parameters	
Lens	1
Resolution	Main stream: 4MP(2688x1520P), 2MP(1920x1080P), 1MP(1280x720P) Sub stream: 2MP(1920x1080P), 1MP(1280x720P), 0.3MP(640x480P)
FOV	Horizontal: 150°; Vertical: 75°
Wide dynamic range (WDR)	Support 120 dB
Supplement light	IR light, up to 3 m
Video compression standard	H.264; H.265; MJPEG
Audio parameters	
Audio input	1 built-in omnidirectional microphone
Audio compression standard	G.711u, G.711a, Opus, AAC-LD, AAC-LC, G.726, G.722.1, G.729
Audio output	1 built-in loudspeaker
Audio compression bitrate	8~64 Kps
Audio quality	Noise suppression and echo cancellation
Volume adjustment	Adjustable
Audio Performance	50cm 80dB (Maximum: 50cm 83dB)
Audio Sample Rate	16kHz、8kHz
Capacity	
User capacity	2000
Face capacity	/
Card capacity	10000
Network parameters	
Network protocol	TCP/IP, RTSP, ipv6, onvif
Wi-Fi	2.4G
Bluetooth	Supported
3G/4G	/
Wi-Fi Protocol	IEEE802.11b, IEEE802.11g, IEEE802.11n, IEEE802.11ax
Wi-Fi Type	WiFi 6
Authentication	
Authentication mode	Card, Bluetooth, Hik-Connect, indoor station
Card type	Mifare 1
Card reading frequency	13.56 MHz
Card reading distance	M1card : 2 to 2.5 cm
Application	
Mobile APP	Hik-Connect
Motion Detection	Support
Playback	Support
Call Elevator	Support

Smart Features	Sound Classification Detection: Scream, Glass Breaking Sound, Crying Sound (Recommended Detection Distance: 3 m)
<b>Device interfaces</b>	
Alarm input	4, (include Exit button and Door contact input)
Network interface	1 RJ-45, 10/100 Mbps self-adaptive
TAMPER	1
Exit button	1
RS-485	1
USB	/
Wiegand	/
TF card	Support TF card, up to 128 G
Alarm output	/
Lock control	2 relay, Max. 30 VDC 2 A
Door contact input	1
Supported TF Format	FAT32,exFAT
<b>General</b>	
Button	1 physical button
Installation	Surface mounting
Indicator	3
Weight	Without package: 273 g (0.61 lb),With package: 431g (0.95 lb)
Protective level	IP65
Working temperature	-40 °C to 60 °C (-40 °F to 140 °F)
Working humidity	10% to 90% (no-condensing)
Dimension (W × H × D)	164 mm × 69 mm × 24.7 mm (6.46" × 2.72" × 0.97")
Battery	/
Application environment	Outdoor
Power consumption	< 10 W
Power supply	12 VDC, 1.2 A,IEEE 802.3 at, standard PoE
Language	English, Arabic, European French, Russian, European Spanish, Latin American Spanish, Italian, German, Polish, Turkish, Portuguese, Brazilian Portuguese, Uzbek, Kazakh, Czech, Hungarian, Dutch, Romanian, Bulgarian, Ukrainian, Croatian, Serbian, Greek, Lithuanian, Estonian, Latvian, Norwegian, Danish, Slovenian, Slovak, Hebrew, Swedish, Finnish, Mongolian, Vietnamese, Traditional Chinese (Taiwan), Latin American Spanish
Material	Front Shell and Rear Shell Material: Plastic Viewing Window Panel Material: Glass
Power Supply Output	Max. 12 VDC, 1 A

## ▪ Available Model

DS-KV6114-WBE1

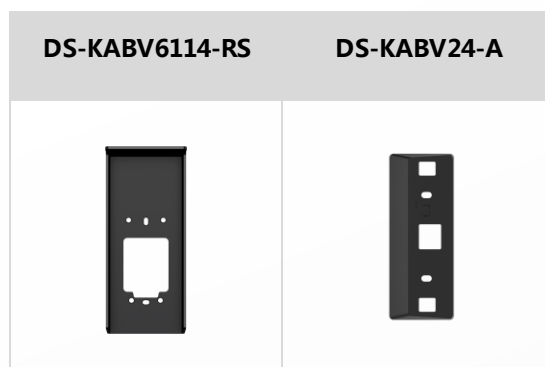
## ▪ Dimension



Unit: mm [inch]

SCALE	1:1
-------	-----

- Accessory
- Optional



# See Far, Go Further



[www.hikvision.com](http://www.hikvision.com)  
[support@hikvision.com](mailto:support@hikvision.com)

